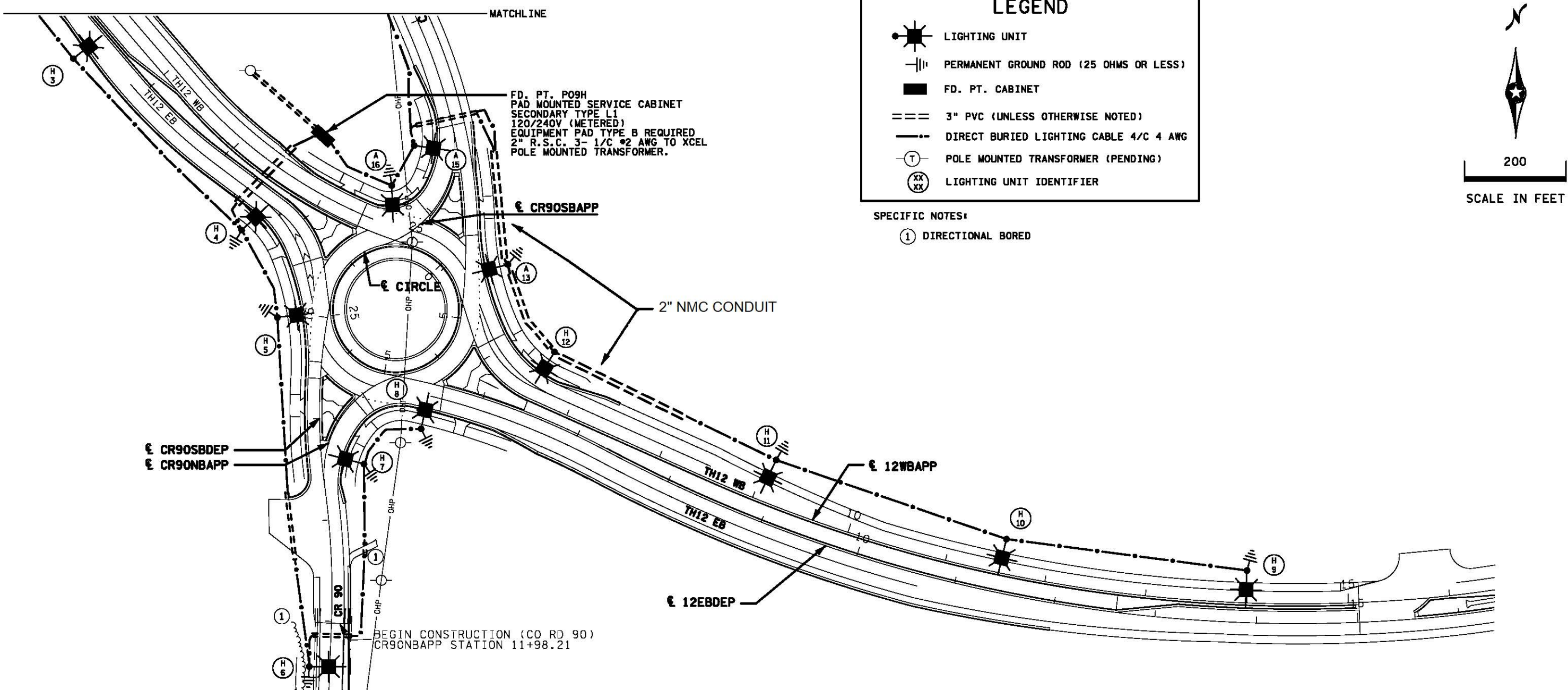


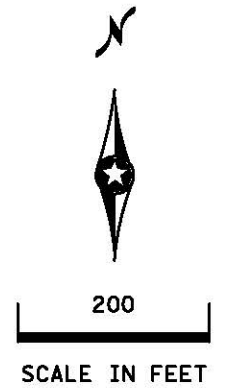
PLOTTED/REVISED: 16-OCT-2020

DISTRICT #: Metro  
 IPLOT NAME: 2713-122\_11T\_10  
 PATH & FILENAME: Projects\DM\_ROMS\012\2713\22\Traffic\Lighting\2713-122\_11T\_10.dgn



### LEGEND

- LIGHTING UNIT
- PERMANENT GROUND ROD (25 OHMS OR LESS)
- FD. PT. CABINET
- 3" PVC (UNLESS OTHERWISE NOTED)
- DIRECT BURIED LIGHTING CABLE 4/C 4 AWG
- POLE MOUNTED TRANSFORMER (PENDING)
- LIGHTING UNIT IDENTIFIER



SPECIFIC NOTES:  
 ① DIRECTIONAL BORED

FD. PT. P09H  
 PAD MOUNTED SERVICE CABINET  
 SECONDARY TYPE L1  
 120/240V (METERED)  
 EQUIPMENT PAD TYPE B REQUIRED  
 2" R.S.C. 3- 1/C #2 AWG TO XCEL  
 POLE MOUNTED TRANSFORMER.

€ CR90SBAPP

€ CR90SBDEP

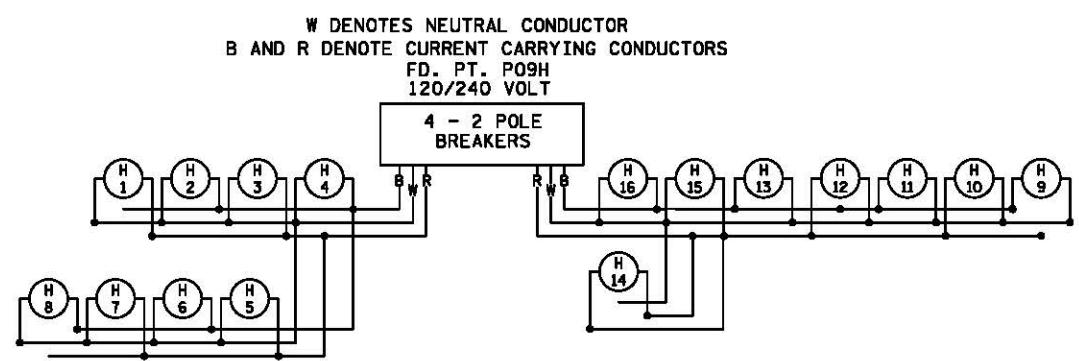
€ CR90NBAPP

€ 12WBAPP

€ 12EBDEP

2" NMC CONDUIT

BEGIN CONSTRUCTION (CO RD 90)  
 CR90NBAPP STATION 11+98.21



FEEDPOINT P09H  
 LIGHTING UNIT LOCATION AND TYPE


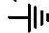
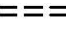


NO.	STATION	LT.	RT.	LOCATION	TYPE	FOUNDATION
1	16+50		X	EB TH12	9-40	E
2	18+90		X	EB TH12		
3	21+30		X	EB TH12		
4	23+58		X	EB TH12		
5	24+95		X	EB TH12		
6	11+55	X		CR 90		
7	13+61		X	CR 90		
8	5+38		X	EB TH12		
9	14+00	X		WB TH12		
10	11+55	X		WB TH12		
11	9+08	X		WB TH12		
12	6+64	X		WB TH12		
13	5+26	X		WB TH12		
14	8+95		X	CR 90		
15	6+72	X		CR 90		
16	5+91	X		CR 90	9-40	E

S.A.P. 027-690-002

**AS-BUILT**

BY	DATE	REVISIONS	FEEDPOINT: P09H	LOCATION: CSAH 90	LIGHTING PLAN
			METER ADDRESS: PENDING		
DRAWN BY: PB			CERTIFIED BY: <i>Michael P. Delaney</i>		STATE PROJ. NO. 2713-122 (T.H. 12) SHEET NO. SL4 OF SL5 SHEETS
CKD BY: JDC			LIC. NO. 19863 DATE: 16-OCT-2020		

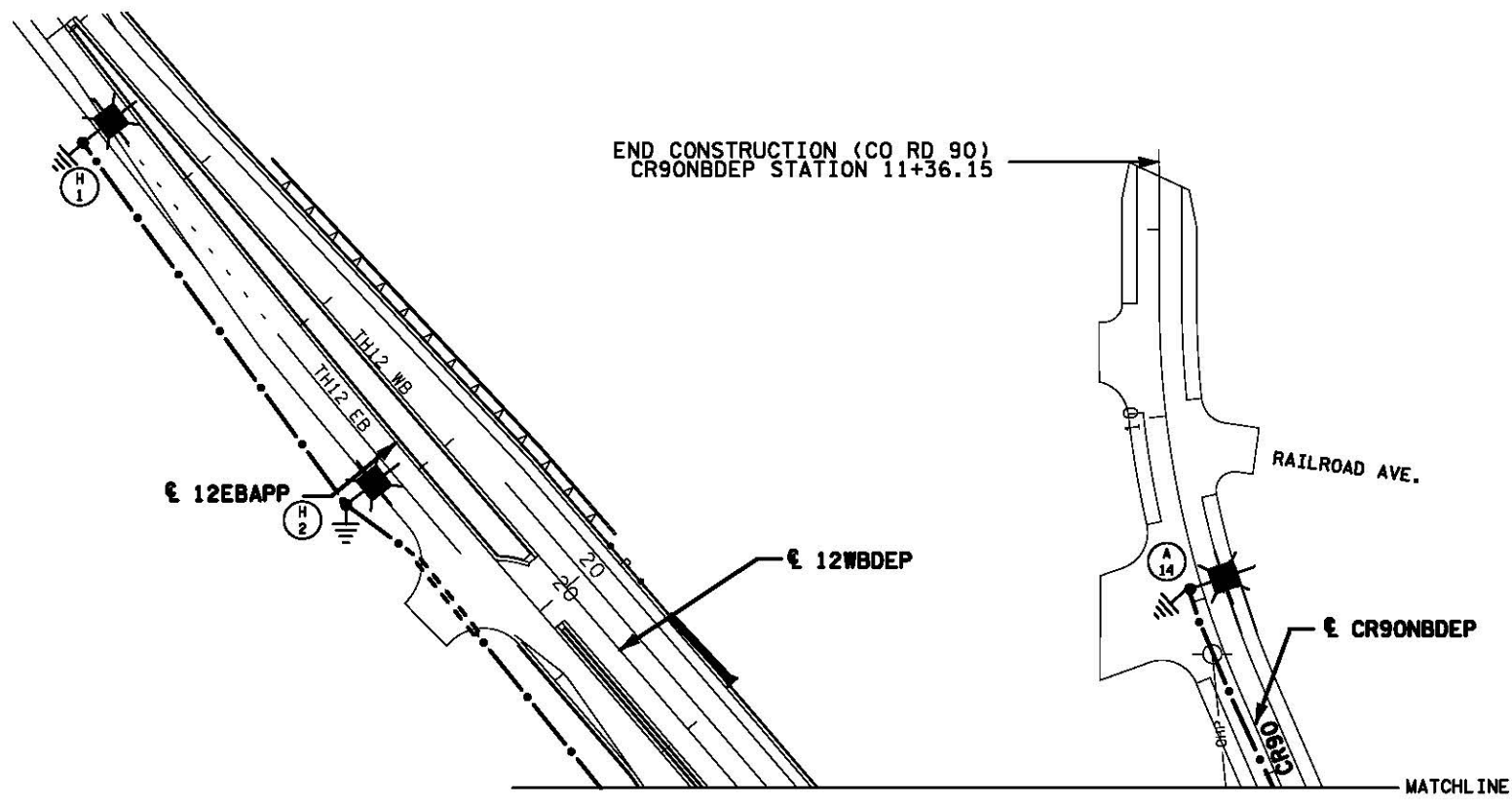
**LEGEND**

-  LIGHTING UNIT
-  PERMANENT GROUND ROD (25 OHMS OR LESS)
-  3" PVC (UNLESS OTHERWISE NOTED)
-  DIRECT BURIED LIGHTING CABLE 4/C 4 AWG
-  LIGHTING UNIT IDENTIFIER



200  
SCALE IN FEET

**CITY OF INDEPENDENCE  
HENNEPIN CO.**



S.A.P. 027-690-002

**AS-BUILT**

	BY	DATE	REVISIONS	FEEDPOINT: P09H      LOCATION: CSAH 90	<b>LIGHTING PLAN</b>
				METER ADDRESS: PENDING	
				CERTIFIED BY <i>Michael P. Libinsky</i> LIC. NO. 19863      DATE: 16-OCT-2020	
				DRAWN BY: PB      CKD BY: JDC	STATE PROJ.NO. 2713-122 (T.H. 12) SHEET NO. SL5 OF SL5 SHEETS

DISTRICT #: Metro  
 IPLOT NAME: 12713-122\_111\_10  
 PATH & FILENAME: Projects\DM罗斯\012\2713\122\Traffic\Lighting\2713-122\_111\_10.dgn  
 PLOTTED/REVISED: 16-OCT-2020