

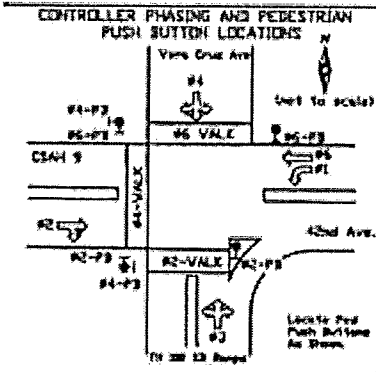
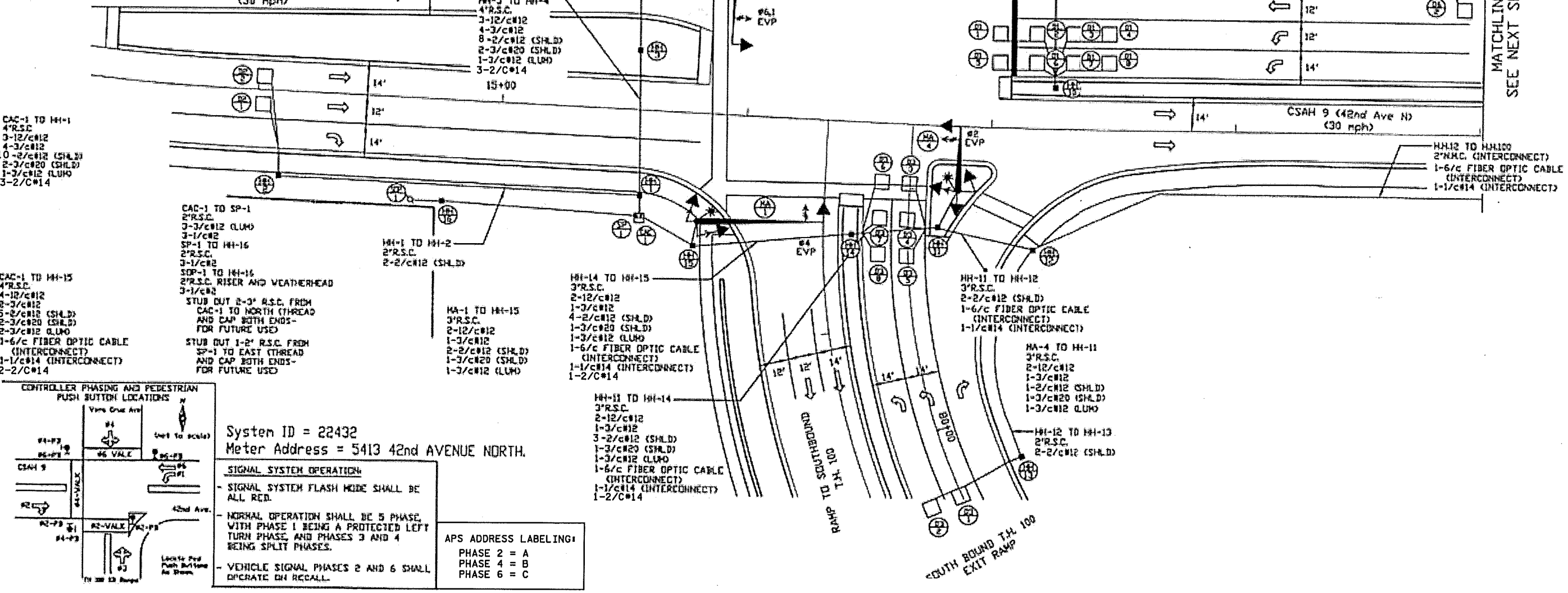
PLOT NAME: T22432LRW  
 PATH & FILENAME: Projects\DM\_R05\00000000\Traffic\Signal\22432 (9)WR (HENNEPIN CO MAINT)\T22432LRW.dgn  
 PLOTTED/REVISED: 6-JUN-2018

SIGNAL STRUCTURE AND COMPONENT LOCATION			
NO.	LOCATION	NO.	LOCATION
HH-1	STA 15+56 (SOUTH) 35' RT	HH-11	STA 16+78 (SOUTH) 42' RT
HH-2	STA 14+08 (SOUTH) 35' RT	HH-12	STA 17+12 (SOUTH) 50' RT
HH-3	STA 13+55 (SOUTH) 24' LT	HH-13	STA 17+77 28' RT
HH-4	STA 15+49 (NORTH) 27' LT	HH-14	STA 16+43 (SOUTH) 46' RT
HH-5	STA 16+10 (NORTH) 32' LT	HH-15	STA 15+79 (SOUTH) 34' RT
HH-6	STA 5+52 28' LT	HH-16	STA 14+73 (SOUTH) 42' RT
HH-7	STA 16+67 (NORTH) 36' LT	CAC-1	STA 15+58 (SOUTH) 44' RT
HH-8	STA 17+10 (NORTH) 32' LT	SP-1	STA 15+55 (SOUTH) 44' RT
HH-9	STA 18+80 (NORTH) 32' LT	SDP-1	WOOD POLE (TO BE F & I BY N3P)
HH-10	STA 17+10 (NORTH) 49' RT		

NO.	LOCATION
MA-1	STA 15+82 (SOUTH) 45' RT AIN ARM TO STA 16+32 (SOUTH) 43' RT (50' ARM)
MA-2	STA 15+59 (NORTH) 35' LT AIN ARM TO STA 15+95 (NORTH) 24' RT (55' ARM)
MA-3	STA 16+67 (NORTH) 30' LT AIN ARM TO STA 16+52 (NORTH) 23' LT (15' ARM)
MA-4	STA 16+87 (SOUTH) 29' RT AIN ARM TO STA 16+87 (SOUTH) 0' RT (52' ARM)

NO.	LOCATION	LOOP	NO. OF TURNS	DETECTOR FUNCTION
D1-12-34	EAST EDGE AT STA 16+93 (17+08) 17+38 NORTH NORTH EDGE AT 15' RT	6 x 6	4	(1)
D1-36-78	EAST EDGE AT STA 16+93 (17+08) 17+38 NORTH NORTH EDGE AT 29' RT	6 x 6	4	(1)
D2-12	EAST EDGE AT STA 14+05 (SOUTH) NORTH EDGE AT 3' RT, 9' LT	6 x 6	4	(1)
D3-12	NORTH EDGE AT STA 14+05 (SOUTH) NORTH EDGE AT 3' RT, 9' LT	6 x 6	4	(1)
D3-34-5	EAST EDGE AT STA 16+71 (SOUTH) NORTH EDGE AT 20' RT, 36' RT, 51' RT	6 x 6	4	(1)
D3-6-7-8	EAST EDGE AT STA 16+58 (SOUTH) NORTH EDGE AT 20' RT, 36' RT, 51' RT	6 x 6	4	(1)
D4-1	NORTH EDGE AT STA 5+34 EAST EDGE AT 5' LT	6 x 6	4	(1)
D4-3-34	EAST EDGE AT STA 16+30 (NORTH) NORTH EDGE AT 20' LT, 36' LT, 51' LT	6 x 6	4	(1)
D6-12	EAST EDGE AT STA 18+83 (NORTH) NORTH EDGE AT 9' LT, 3' RT	6 x 6	4	(1)

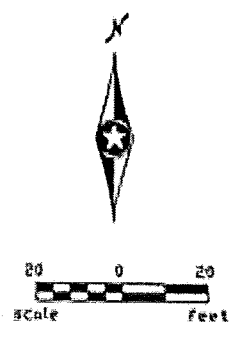
N = NUMBER OF TURNS IN THE LOOP UNLESS SPECIFIED BY THE MANUFACTURER.  
 (1) = CALL AND EXTEND  
 (2) = DELAYED CALL AND IMMEDIATE EXTEND



**System ID = 22432**  
**Meter Address = 5413 42nd AVENUE NORTH.**

**SIGNAL SYSTEM OPERATION:**  
 - SIGNAL SYSTEM FLASH MODE SHALL BE ALL RED.  
 - NORMAL OPERATION SHALL BE 5 PHASE, WITH PHASE 1 BEING A PROTECTED LEFT TURN PHASE, AND PHASES 3 AND 4 BEING SPLIT PHASES.  
 - VEHICLE SIGNAL PHASES 2 AND 6 SHALL OPERATE ON RECALL.

**APS ADDRESS LABELING:**  
 PHASE 2 = A  
 PHASE 4 = B  
 PHASE 6 = C

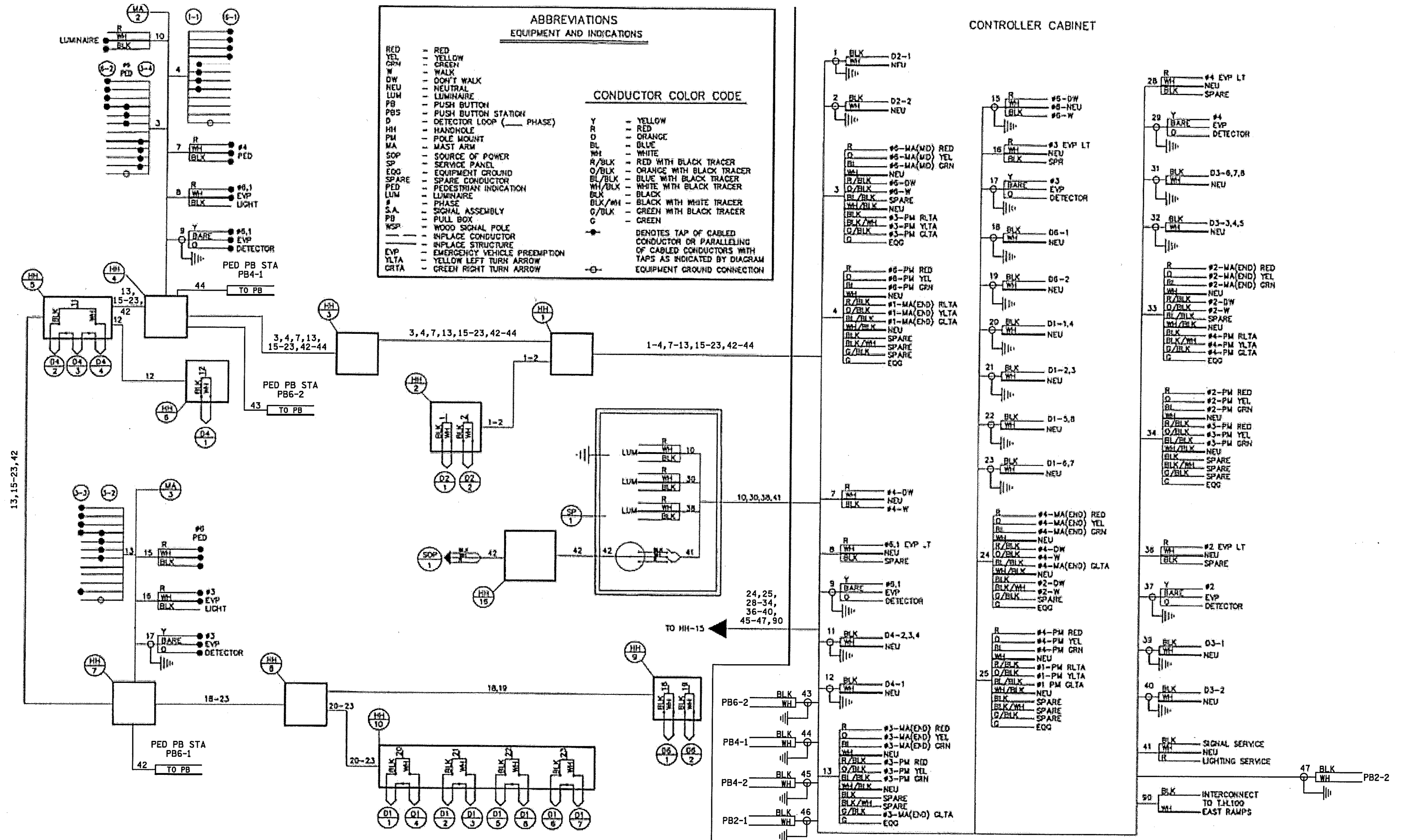


MATCHLINE SEE NEXT SHEET

BY: J3T	DATE: 06-04-18	REVISIONS: AS BUILTS OF SP 8825-507 APS 12-28-15	SYSTEM ID: 1736273	T.E.	INTERSECTION LAYOUT	S.A.P. NO.	DRAWN BY:	CKD BY:	DATE:
			METER ADDRESS: 5413 42nd AVENUE NORTH		TH 100 AT CSAH 9 (42ND AVE N) WEST RAMP	CERTIFIED BY:			
			OLD SYSTEM ID: 22432		HENNEPIN COUNTY	LICENSED PROFESSIONAL ENGINEER	LIC. NO.:		DATE:
						STATE PROJ.NO. 8825-507	T.H.100	SHEET NO. 1 OF 4 SHEETS	

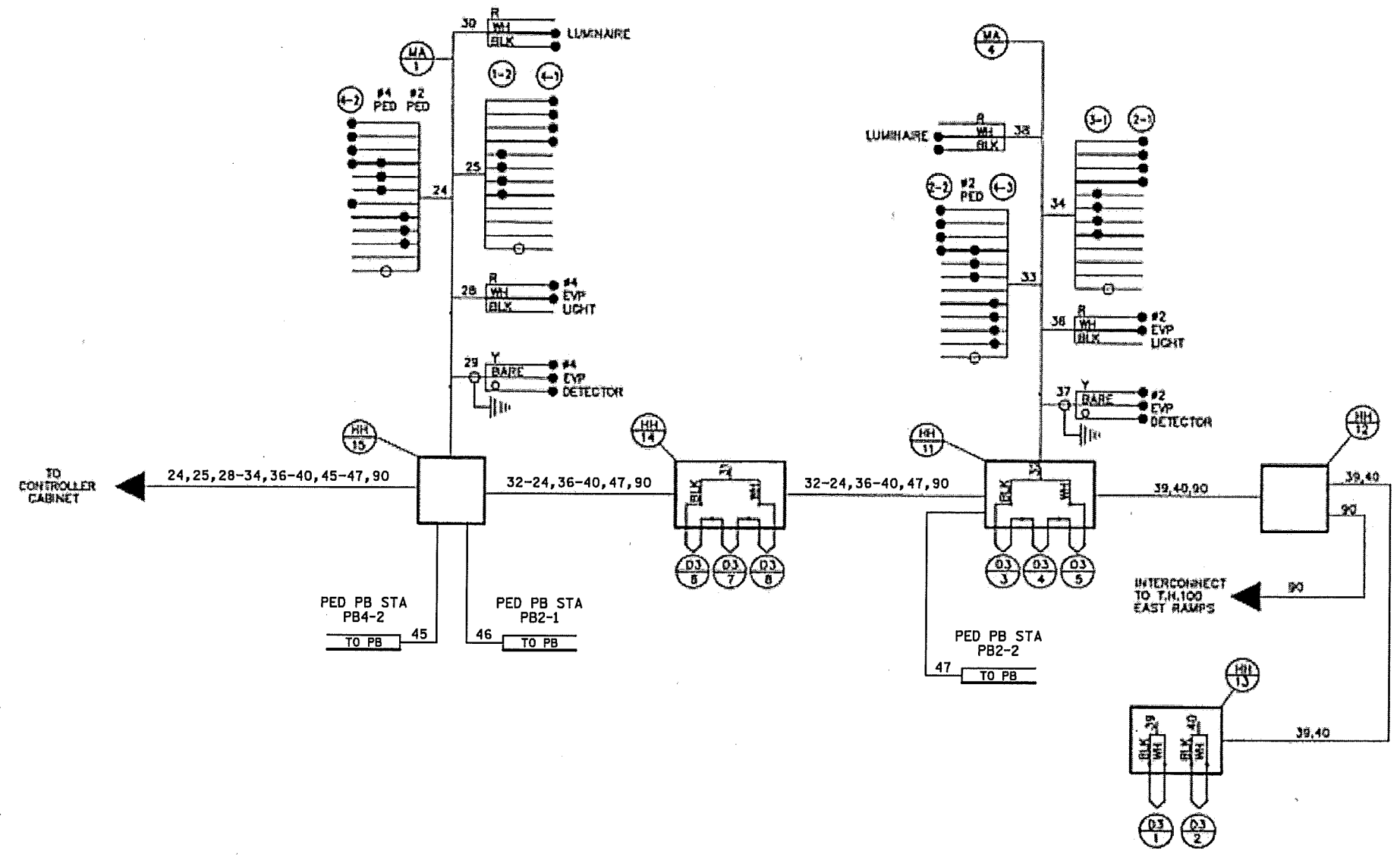


I/PLOT NAME: T22432LRW  
 PATH & FILENAME: Projects\DM\_R05\00000000\Traffic\Signals\22432 (9) WR (HENNEPIN CO MAINT)\T22432LRW.dgn  
 PLOTTED/REVISED: 6-JUN-2018



BY	DATE	REVISIONS	SYSTEM ID: 1736273	T.E.	S.A.P. NO.	DRAWN BY:	CKD BY:	DATE:
J3T	06-04-18	AS BUILTS OF SP 8825-507 APS 12-28-15	METER ADDRESS: 5413 42ND AVENUE NORTH		CERTIFIED BY			
			OLD SYSTEM ID: 22432		LICENSED PROFESSIONAL ENGINEER			LIC. NO. DATE:
<b>FIELD WIRING DIAGRAM (1 OF 2)</b> <b>TH 100 AT CSAH 9 (42ND AVE N) WEST RAMP</b> <b>ROBBINSDALE</b> <b>HENNEPIN COUNTY</b>				<b>STATE PROJ. NO. 8825-507 T.H.100</b> <b>SHEET NO. 3 OF 4 SHEETS</b>				

I/PLOT NAME: T22432LRW  
 PATH & FILENAME: Projects\DM\_Ros\00000001\Traffic\Signals\22432 (9) WR (HENNEPIN CO MAINT)\T22432LRW.dgn  
 PLOTTED/REVISED: 6-JUN-2018



ABBREVIATIONS		EQUIPMENT AND INDICATIONS	
RED	- RED		
YEL	- YELLOW		
GRN	- GREEN		
W	- WALK		
DW	- DON'T WALK		
NEU	- NEUTRAL		
LUM	- LUMINAIRE		
PB	- PUSH BUTTON		
PBS	- PUSH BUTTON STATION		
D	- DETECTOR LOOP (___ PHASE)		
HH	- HANDHOLE		
PM	- POLE MOUNT		
MA	- MAST ARM		
SOP	- SOURCE OF POWER		
SP	- SERVICE PANEL		
EGG	- EQUIPMENT GROUND		
SPARE	- SPARE CONDUCTOR		
PED	- PEDESTRIAN INDICATION		
LUM	- LUMINAIRE		
Ø	- PHASE		
S.A.	- SIGNAL ASSEMBLY		
PB	- FULL BOX		
WSP	- WOOD SIGNAL POLE		
---	- INPLACE CONDUCTOR		
---	- INPLACE STRUCTURE		
EVP	- EMERGENCY VEHICLE PREEMPTION		
YLA	- YELLOW LEFT TURN ARROW		
CRYA	- GREEN RIGHT TURN ARROW		

CONDUCTOR COLOR CODE	
Y	- YELLOW
R	- RED
O	- ORANGE
BL	- BLUE
WH	- WHITE
R/BLK	- RED WITH BLACK TRACER
O/BLK	- ORANGE WITH BLACK TRACER
BL/BLK	- BLUE WITH BLACK TRACER
WH/BLK	- WHITE WITH BLACK TRACER
BLK	- BLACK
BLK/WH	- BLACK WITH WHITE TRACER
O/BLK	- GREEN WITH BLACK TRACER
G	- GREEN

●	- DENOTES TAP OF CABLED CONDUCTOR OR PARALLELING OF CABLED CONDUCTORS WITH TAPS AS INDICATED BY DIAGRAM
○	- EQUIPMENT GROUND CONNECTION

BY	DATE	REVISIONS	SYSTEM ID: 1736273	T.E.	S.A.P. NO.	DRAWN BY:	CKD BY:	DATE:
J3T	06-04-18	AS BUILTS OF SP 8825-507 APS 12-28-15	METER ADDRESS: 5413 42ND AVENUE NORTH					
			OLD SYSTEM ID: 22432		CERTIFIED BY _____ LIC. NO. _____ DATE: _____			
FIELD WIRNG DIAGRAM (2 OF 2) TH 100 AT CSAH 9 (42ND AVE N) WEST RAMP ROBBINSDALE HENNEPIN COUNTY				STATE PROJ. NO. 8825-507 T.H.100 SHEET NO. 4 OF 4 SHEETS				