

PLOTTED/REVISED: \$\$\$@DATE\$\$\$

DISTRICT #: \$\$\$@DISTRICT\$\$\$
PLOT NAME: \$\$\$@PLOTNAME\$\$\$
PATH & FILENAME: \$\$\$@PATHFILENAME\$\$\$

SIGNAL FACES CHART

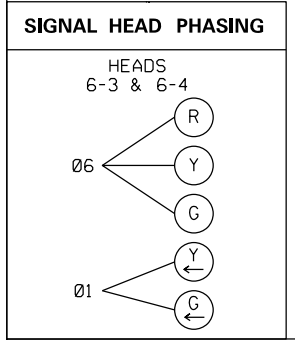
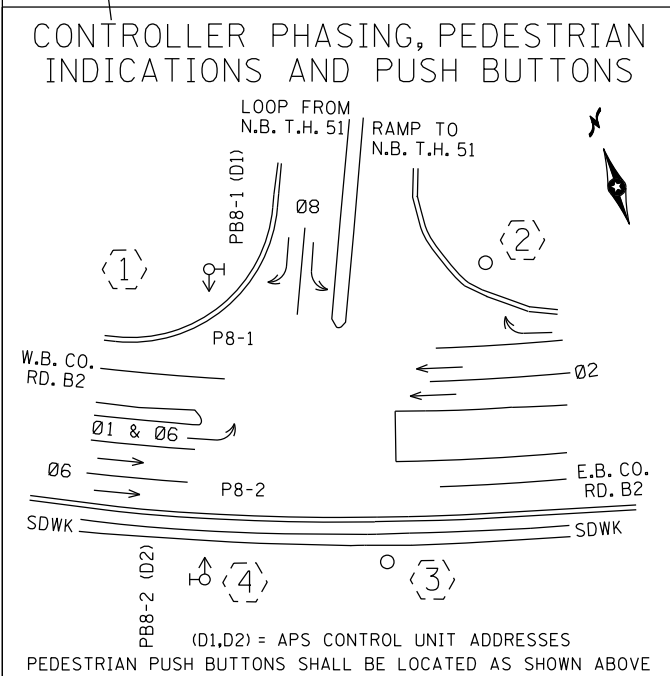
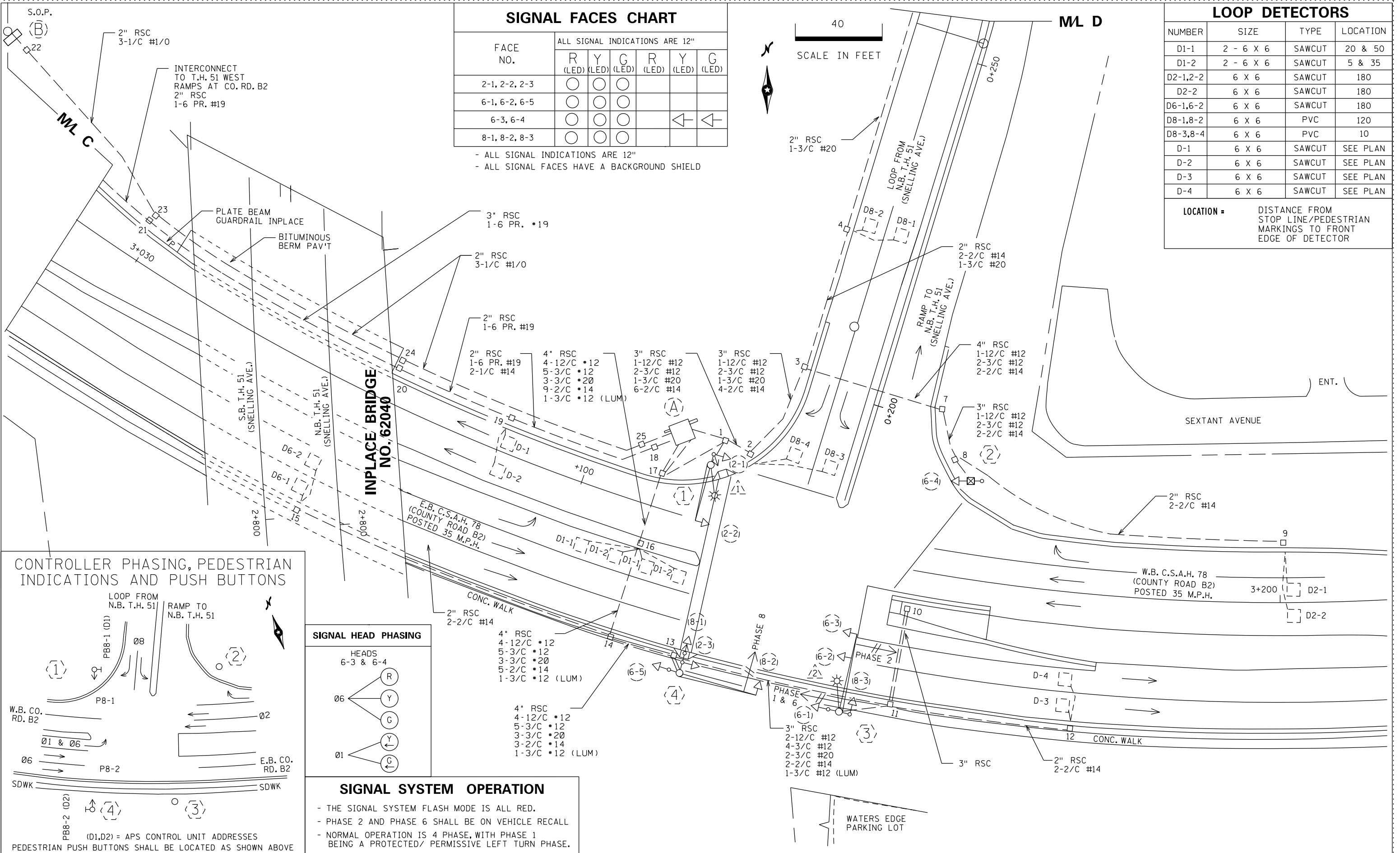
FACE NO.	ALL SIGNAL INDICATIONS ARE 12"					
	R (LED)	Y (LED)	G (LED)	R (LED)	Y (LED)	G (LED)
2-1, 2-2, 2-3	○	○	○			
6-1, 6-2, 6-5	○	○	○			
6-3, 6-4	○	○	○	◀	◀	
8-1, 8-2, 8-3	○	○	○			

- ALL SIGNAL INDICATIONS ARE 12"
- ALL SIGNAL FACES HAVE A BACKGROUND SHIELD

LOOP DETECTORS

NUMBER	SIZE	TYPE	LOCATION
D1-1	2 - 6 X 6	SAWCUT	20 & 50
D1-2	2 - 6 X 6	SAWCUT	5 & 35
D2-1,2-2	6 X 6	SAWCUT	180
D2-2	6 X 6	SAWCUT	180
D6-1,6-2	6 X 6	SAWCUT	180
D8-1,8-2	6 X 6	PVC	120
D8-3,8-4	6 X 6	PVC	10
D-1	6 X 6	SAWCUT	SEE PLAN
D-2	6 X 6	SAWCUT	SEE PLAN
D-3	6 X 6	SAWCUT	SEE PLAN
D-4	6 X 6	SAWCUT	SEE PLAN

LOCATION = DISTANCE FROM STOP LINE/PEDESTRIAN MARKINGS TO FRONT EDGE OF DETECTOR



SIGNAL SYSTEM OPERATION

- THE SIGNAL SYSTEM FLASH MODE IS ALL RED.
- PHASE 2 AND PHASE 6 SHALL BE ON VEHICLE RECALL
- NORMAL OPERATION IS 4 PHASE, WITH PHASE 1 BEING A PROTECTED/ PERMISSIVE LEFT TURN PHASE.

BY	DATE	REVISIONS
EJA	11-15-11	AS_BUILT FOR SP 6216-122

SYSTEM ID: 22275
METER ADDRESS: 1565 WEST COUNTY ROAD B2

INTERSECTION LAYOUT
T.H 51 AT C.S.A.H. 78/CO. RD. B2,
EAST RAMPS
IN ROSEVILLE, RAMSEY COUNTY

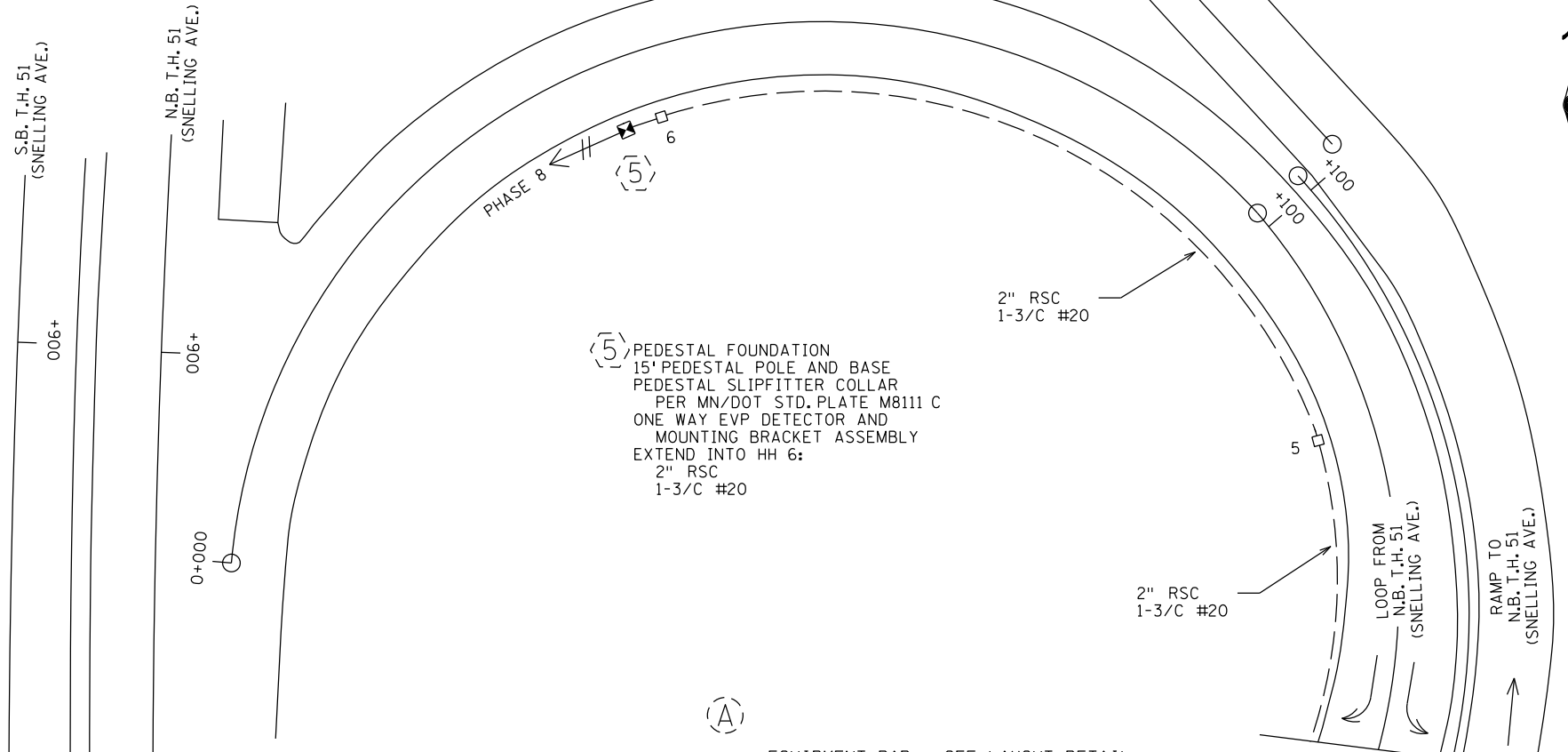
DRAWN BY: MAS CKD BY: EJA DATE: 1-21-09

CERTIFIED BY: *Michael P. Lubinsky*
LICENSED PROFESSIONAL ENGINEER LIC. NO. 19865 DATE: 1-21-09

STATE PROJ. NO. (T.H.51) SHEET NO. 1 OF 3 SHEETS

PLOTTED/REVISED: \$\$\$@DATE@\$\$\$

DISTRICT #: \$\$\$@DISTRICT@\$\$
PLOT NAME: \$\$\$@PLOT\$NAME@\$\$
PATH & FILENAME: \$\$\$@PATH\$FILENAME@\$\$\$



(1) PA90 POLE FOUNDATION
 TYPE PA90-A-25-D40-9 DAVIT AT 350 DEG
 ONE WAY SIGNAL OVERHEAD AT 0'
 1-CD PED HEAD (P8-1)
 1-TYPE 10B AT 180 DEG
 1-APS PB (PB8-1) AND SIGN (LT ARROW)
 LUMINAIRE - 200W HPS
 2 - R9-3 SIGNS (FACING POLES 2 AND 4)
 EXTEND INTO HH 1:
 3" RSC
 1-12/C *12
 1-3/C *12 (LUM)
 1-2/C *14

(3) PA90 POLE FOUNDATION
 TYPE PA90-A-35-D40-9 DAVIT AT 350 DEG
 2 - ONE WAY SIGNALS OVERHEAD AT 0' AND 12'
 2-TYPE 10A AT 90 AND 270 DEG
 LUMINAIRE-200W HPS
 ONE WAY EVP DETECTOR AND
 CONFIRMATORY LIGHT 2' FROM END
 OF MAST ARM - PHASE 2
 ONE WAY EVP DETECTOR AND
 CONFIRMATORY LIGHT 30' FROM END
 OF MAST ARM - PHASES 1 & 6
 1-R9-3 SIGN (FACING POLE 2)
 R10-12 SIGN ADJACENT TO HEAD 6-3
 EXTEND INTO HH 11:
 3" RSC
 2-12/C *12
 4-3/C *12
 2-3/C *20
 1-3/C *12 (LUM)

(4) PA90 POLE FOUNDATION
 TYPE PA90-A-35
 ONE WAY SIGNAL OVERHEAD AT 0'
 1-TYPE 10A AT 180 DEG
 1-TYPE 20B AT 270 DEG
 ONE WAY EVP DETECTOR AND
 CONFIRMATORY LIGHT 2' FROM END
 OF MAST ARM - PHASE 8
 1 - CD PED HEAD (P8-2)
 1 - APS PB(PB8-2) & SIGN (LT ARROW)
 1 - R9-3 SIGN (FACING POLE 1)
 EXTEND INTO HH 13:
 3" RSC
 2-12/C *12
 1-3/C *12
 1-3/C *20
 1-2/C *14

(2) PEDESTAL FOUNDATION
 15' PEDESTAL POLE AND BASE
 TYPE 5A
 1-R9-3 SIGN ON (FACING POLES 1 AND 3)
 EXTEND INTO HH 8:
 3" RSC
 1-12/C *12
 2-3/C *12

(5) PEDESTAL FOUNDATION
 15' PEDESTAL POLE AND BASE
 PEDESTAL SLIPFITTER COLLAR
 PER MN/DOT STD. PLATE M8111 C
 ONE WAY EVP DETECTOR AND
 MOUNTING BRACKET ASSEMBLY
 EXTEND INTO HH 6:
 2" RSC
 1-3/C #20

(A) EQUIPMENT PAD - SEE LAYOUT DETAIL
 SIGNAL SERVICE CABINET WITH
 METER AND ENCLOSED CIRCUIT BREAKERS
 (120/240 VOLT) - SEE DETAIL
 STEPDOWN TRANSFORMER 480-120/240 VAC
 (PAD MOUNTED)
 BETWEEN METER AND TRANSFORMER
 2" RSC
 3-1/C *2
 1-1/C *4 INS. GR.
 BETWEEN METER AND LOAD CENTER:
 3-1/C *2
 BETWEEN SERVICE CABINET AND HH 17:
 2" RSC
 2-3/C *12 (LUM)
 SIGNAL CONTROLLER AND CABINET - SEE SPECIAL PROVISIONS
 (CONTRACTOR SHALL FURNISH AND INSTALL CONTROLLER
 AND CABINET EQUIPMENT AND TIMING PLAN)
 BETWEEN SIGNAL CABINET AND
 SIGNAL SERVICE CABINET:
 2" RSC
 2-1/C *6
 1-1/C *6 INS. GR.
 BETWEEN SIGNAL CABINET AND HH 1:
 4" RSC
 2-12/C *12
 2-3/C *12
 1-3/C *20
 8-2/C *14
 BETWEEN SIGNAL CABINET AND HH 17:
 4" RSC
 4-12/C *12
 5-3/C *12
 3-3/C *20
 10-2/C *14
 BETWEEN HH 1 AND HH 17:
 2" RSC
 1-3/C *12 (LUM)
 2" RSC TO HH 18
 2-1/C *14
 1-6 PR. *19 INTERCONNECT TO SIGNAL SYSTEM
 AT T.H. 51 WEST RAMPS AND CO. RD. B2
 3" RSC STUBBED OUT FOR FUTURE USE
 (THREADED AND CAPPED BOTH ENDS)
 2" STUBOUT FOR FUTURE TELEPHONE USE
 (THREADED AND CAPPED BOTH ENDS)

(B) SOURCE OF POWER
 INPLACE POLE MOUNTED POWER COMPANY
 TRANSFORMER - 240/480 VOLT
 240/480 VOLT DISCONNECT - WOOD POLE MOUNTED
 ABOVE DISCONNECT
 2" RSC RISER AND
 WEATHERHEAD:
 3-1/C #1/0 TO POWER CO. CABLE DROP
 FROM WOOD POLE MOUNTED TRANSFORMER
 BETWEEN DISCONNECT AND HH 22:
 2" RSC
 3-1/C #1/0

BY	DATE	REVISIONS
EJA	11-15-11	AS-BUILT FOR SP 6216-122

SYSTEM ID: 22275
 METER ADDRESS: 1565 WEST COUNTY ROAD B2

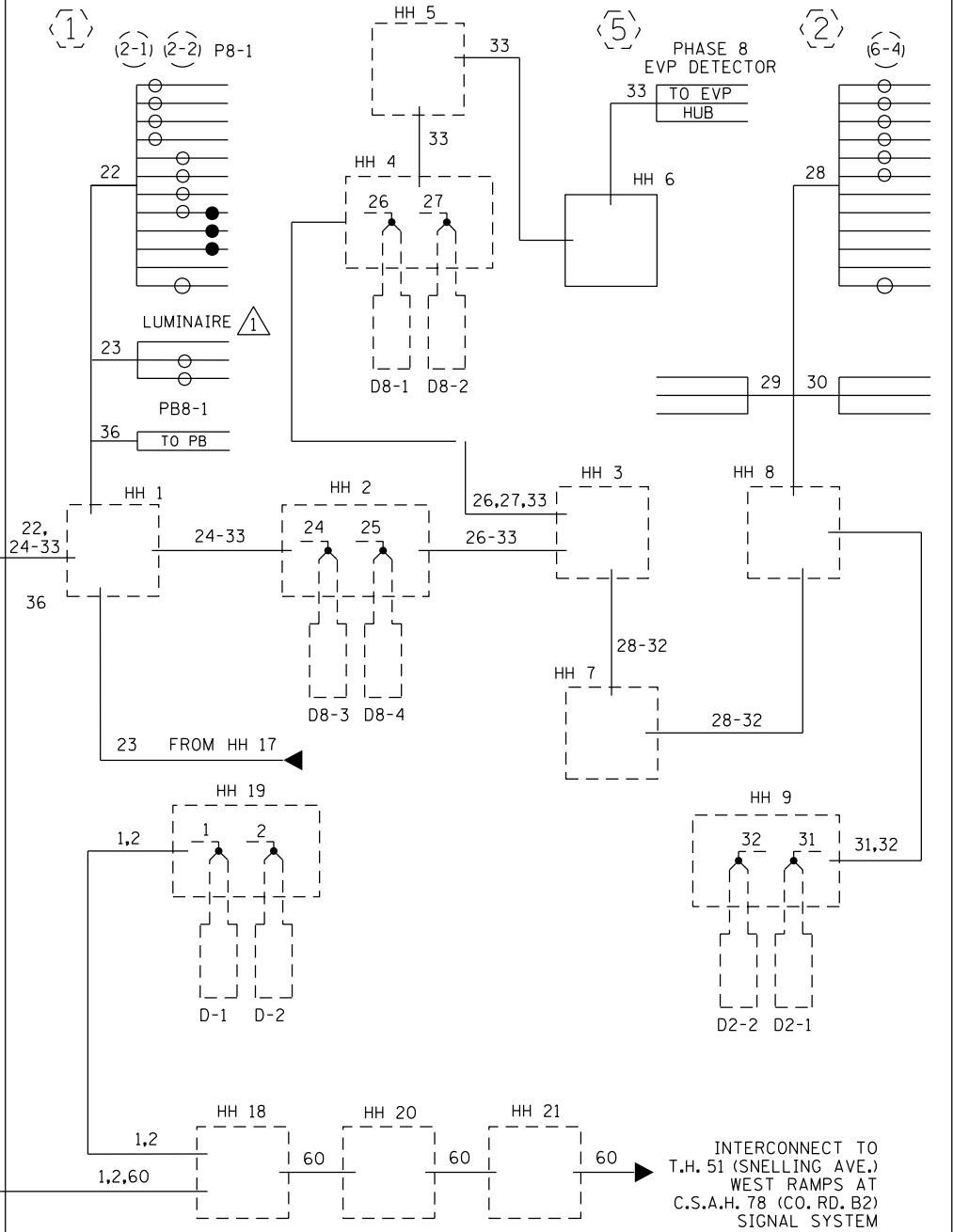
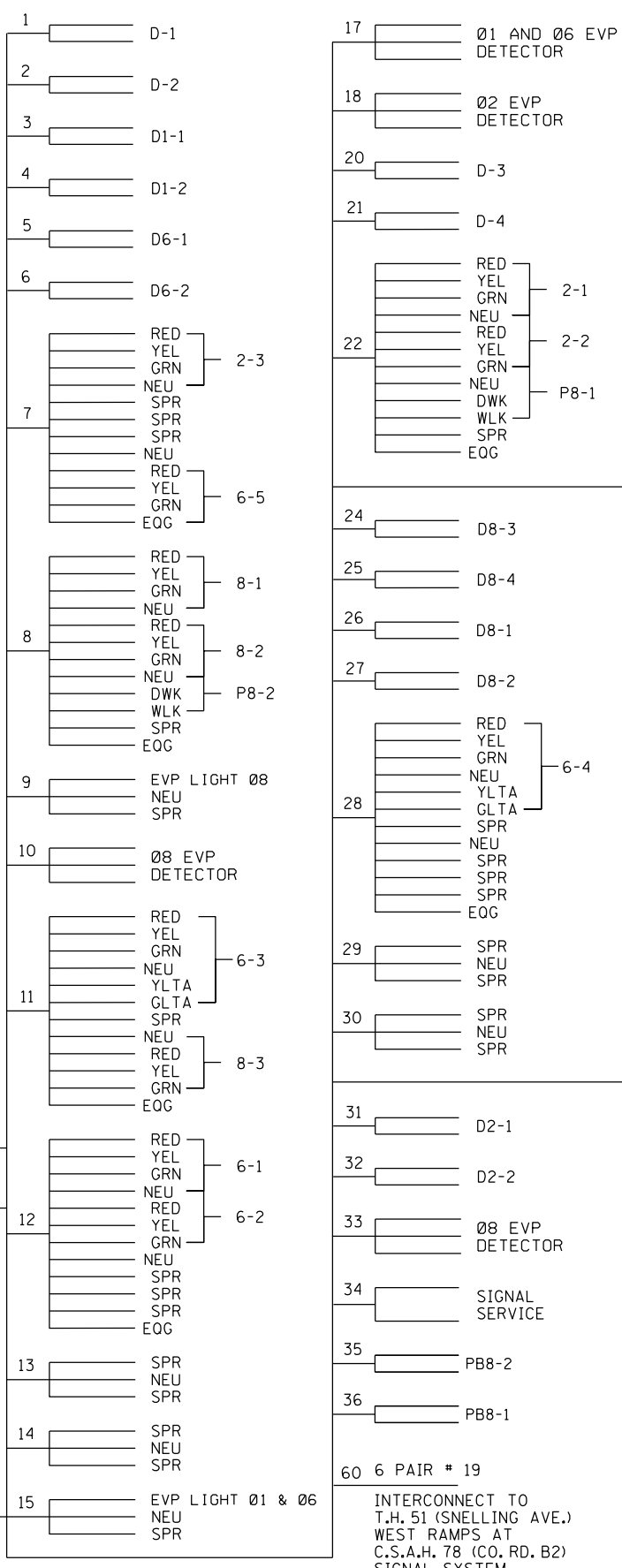
MATCHLINES AND POLE NOTES
 T.H 51 AT C.S.A.H. 78/CO. RD. B2,
 EAST RAMPS
 IN ROSEVILLE, RAMSEY COUNTY

CERTIFIED BY Michael P. Subinsky LIC. NO. 19865 DATE: 1-21-09
 LICENSED PROFESSIONAL ENGINEER
 STATE PROJ. NO. (T.H.51) SHEET NO. 2 OF 3 SHEETS
 DRAWN BY: MAS CKD BY: EJA DATE: 1-21-09

PLOTTED/REVISED: \$\$\$@DATE@\$\$\$

DISTRICT #: \$@DISTRICT@
PLOT NAME: \$\$\$@PLOT\$NAME@\$\$
PATH & FILENAME: \$\$\$@PATH\$FILENAME@\$\$\$

CONTROLLER CABINET

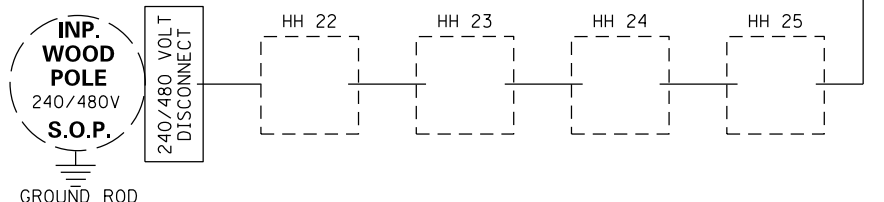
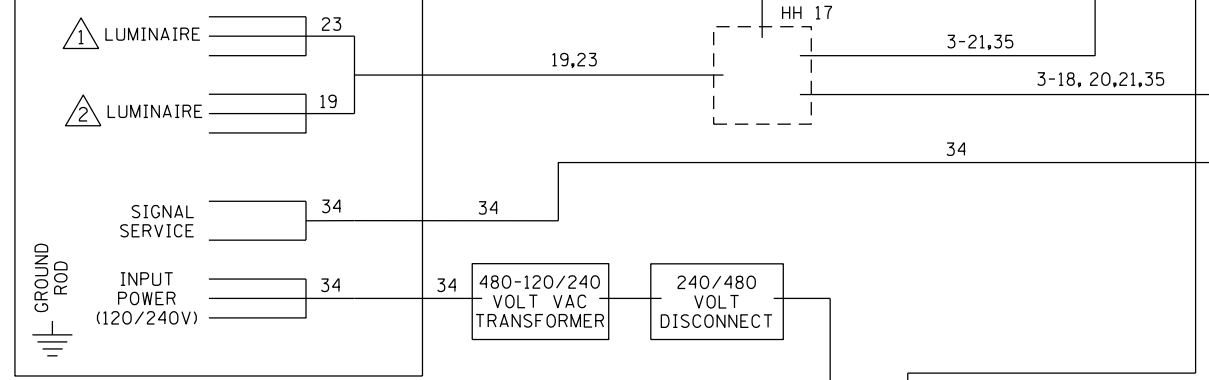


CONDUCTOR COLOR CODING

12/C#12	R O BL WH R/BLK O/BLK BL/BLK WH/BLK BLK BLK/WH G/BLK G	R O BL WH G	5/C#12
3/C#12	R WH BLK	R WH BLK	3/C#12
3/C#20	R OR O WH OR YEL BLK OR BL	R OR O WH OR YEL BLK OR BL	3/C#20
2/C#14	BLK WH	BLK CLEAR	2/C#14

NOTE: ALL TERMINAL BLOCK CONNECTIONS SHALL BE ARRANGED AS SPECIFIED ABOVE

SIGNAL SERVICE CABINET



BY	DATE	REVISIONS
EJA	11-15-11	AS-BUILT FRO SP 6216-122

SYSTEM ID: 22275
METER ADDRESS: 1565 WEST COUNTY ROAD B2

WIRING DIAGRAM
T.H 51 AT C.S.A.H. 78/CO. RD. B2,
EAST RAMPS
IN ROSEVILLE, RAMSEY COUNTY

CERTIFIED BY *Michael P. Lubinsky* LIC. NO. 19865 DATE: 1-21-09
STATE PROJ. NO. 6216-122 (T.H.51) SHEET NO. 3 OF 3 SHEETS
DRAWN BY: MAS CKD BY: EJA DATE: 1-21-09