

Transmittal No. 21-02
May 5, 2021

Standard Plates

Distribution: Electronic Distribution Recipients

Subject: Standard Plate 8358, 8361, 8362, 8371

The following Standard Plates are new or updated:

- 8358 – Thrie-Beam Slotted Rail for Bullnose
- 8361 – Guardrail Steel Post
- 8362 - Universal Breakaway Steel Post (UPSP)
- 8371 - Nose Cable - Bullnose Guardrail

See attached Summary of Changes for details.

Instructions:

1. Record this transmittal letter number, date and subject on the transmittal record sheet located in the front of the manual. The last Transmittal Letter was 21-01, dated February 24, 2021
2. Remove from the manual:
 - Numerical Index of Standard Plates, Sheets 1-4 of 4, (February 22, 2021)
 - Standard Plate 8361A, Sheets 1-3 of 3, (July 1, 2019)
3. Insert into the manual:
 - Numerical Index of Standard Plates, Sheets 1-4 of 4, (04-11-2021)
 - Standard Plate 8358A, Sheets 1-2 of 2, (04-11-2021)
 - Standard Plate 8361B, Sheets 1-3 of 3, (03-26-2021)
 - Standard Plate 8362A, Sheets 1-2 of 2, (04-11-2021)
 - Standard Plate 8371A, Sheet 1 of 1, (04-11-2021)
4. The Standard Plates Manual and associated Transmittal Letters are available online in PDF format at <https://standardplates.dot.state.mn.us/stdplate.aspx>
5. Any technical questions regarding this transmittal should be directed to Mike Elle, State Design Standards Engineer, at (651) 252-7644, or by email to DesignStandards.DOT@state.mn.us

Michael Elle

Michael Elle, P.E.
State Design Standards Engineer
Office of Project Management and Technical Support

THIS PAGE INTENTIONALLY LEFT BLANK

Summary of Changes
Standard Plate 8358A – Thrie-Beam Slotted Rail for Bullnose
Transmittal Letter No. (21-02)

General:

1. This is a new Standard Plate detailing the thrie-beam slotted rail for the updated bullnose system utilizing universal breakaway steel posts.
2. The previous version of these details was on Standard Plan 611.

Summary of Changes
Standard Plate 8361B – Guardrail Steel Post
Transmittal Letter No. (21-02)

General:

1. Plate number increments from 8361A to 8361B.
2. The Steel Post/Standard Plan reference tables are removed.
3. Notes updated to reflect the removed tables.

Summary of Changes
Standard Plate 8362A – Universal Breakaway Steel Post (UBSP)
Transmittal Letter No. (21-02)

General:

1. This is a new Standard Plate detailing the Universal Breakaway Steel Post (UBSP).
2. This Plate is referenced in the newly updated Standard Plan 611-Three-Beam Bullnose Guardrail for Medians.

Summary of Changes
Standard Plate 8371A – Nose Cable – Bullnose Guardrail
Transmittal Letter No. (21-02)

General:

1. This is a new Standard Plate detailing the nose cable for the UBSP bullnose guardrail system.
2. This Plate is referenced in the newly updated Standard Plan 611-Three-Beam Bullnose Guardrail for Medians. Note that Standard Plan 611 requires three Nose Cables, where the previous version required only two Nose Cables.

STANDARD PLATES

BLANK.....	0000 SERIES
PAVEMENT.....	1000 SERIES
BLANK.....	2000 SERIES
CULVERTS AND APPURTENANCES	3000 SERIES
SEWER APPURTENANCES	4000 SERIES
EROSION CONTROL STRUCTURES.....	5000 SERIES
BLANK.....	6000 SERIES
CURB, CURB AND GUTTER, SIDEWALK	7000 SERIES
BARRICADES, SIGNALS, MARKERS, ETC.....	8000 SERIES
MISCELLANEOUS	9000 SERIES

PLATE NO.

0000 SERIES—BLANK

1000 SERIES—PAVEMENT

- 1070M Supplemental Pavement Reinforcement
- 1103L Typical Dowel Bar Assembly (2 Sheets)
- 1210G Concrete Pavement Adjacent to Railway Crossing

2000 SERIES—BLANK

3000 SERIES—CULVERTS AND APPURTENANCES

- 3000M Reinforced Concrete Pipe (6 Sheets)
- 3001B Reinforced Concrete Reducer Pipe
- 3002B Reinforced Concrete Increaser Pipe
- 3006H Gasket Joint for R.C. Pipe (2 Sheets)
- 3007F Shear Reinforcement for Precast Drainage Structures
- 3014K Reinforced Concrete Pipe Arch (3 Sheets)
- 3020H Reinforced Precast Concrete Cattle Pass (60" & 72")
- 3022C Precast Concrete Safety Apron (3 Sheets)
- 3040F Corrugated Metal Pipe Culvert (Standard 2-2/3" x 1/2" Corrugation)
- 3041E Corrugated Metal Pipe (3" x 1" Corrugation)
- 3050B Design Data Structural Plate Structures (18" Corner Radius)
- 3051B Design Data Structural Plate Structures (31" Corner Radius)
- 3065C Connection between Existing Culv. & New "C" Culv. Barrel (2 Sheets)
- 3066A C.M. Extension for Box Culvert
- 3100G Concrete Apron for Reinforced Concrete Pipe
- 3110G Concrete Apron for Reinforced Concrete Pipe-Arch
- 3114H Sectional Concrete Apron for Reinforced Concrete Pipe-Arch
- 3122K Metal Apron for C.M. Pipe-Arch Culvert
- 3123J Metal Apron for C.S. Pipe
- 3124B Metal Apron Connection
- 3125A Inlet Protection for Metal Culverts (90" dia. to 96" dia.)
- 3126B Inlet Protection for Structural Plate Pipe (60" thru 96" dia. or span)
- 3127A Inlet Protection for Structural Plate Pipe (102" thru 180" dia. or span)
- 3128H Metal Safety Apron & Grate (2 Sheets)
- 3129A Metal Apron for Corrugated Polyethylene Pipe (Use at Entrances and Driveways)
- 3131C Precast Concrete Headwall for Subsurface Drains
- 3132A Grate for 1:4 Precast Concrete Aprons

PLATE NO.

3133D	Riprap at RCP Outlets
3134D	Riprap at CSP Outlets
3135A	Hand-Placed Riprap at Precast Concrete Cattle Pass
3136B	Slotted Vane Drain for P.V.C. Pipe
3137B	Slotted Drain for 12" thru 30" Dia. C.M. Pipe (Stackable)
3138B	Slotted Drain for 12" thru 30" Dia. C.M. Pipe (Not Stackable)
3139B	Riprap at Precast Concrete End Sections
3142A	Outlet Screen for C.M. & S.C. Pipes
3143C	Inspection Tees
3145G	Concrete Pipe or Precast Culvert Ties
3146C	Anti-Seepage Diaphragm (For CMP and CMP-A)
3148A	Safety Slope Metal End Section for Circular & Arched Pipes (2 Sheets)
3221D	Corrugated Steel Pipe Coupling Band (3 Sheets)

4000 SERIES—SEWER APPURTENANCES

Drainage Structure and Castings (4 Sheets)

- Structure and Casting Combinations
- Standard Casting Assemblies
- List of Castings
- List of Drainage Structures

4000J	Manhole or Catch Basin (Masonry, Field Constructed) - Design A
4002F	Manhole or Catch Basin (Masonry, Field Construction) - Design C
4003B	30" Precast Catch Basin – Design N
4005M	Manhole or Catch Basin Type A & B Cone Sections Precast - Design F
4006L	Manhole or Catch Basin Precast - Designs G and H
4007C	Precast Mechanical Joint Sewer Manhole
4008E	Catch Basin (Sectional Concrete Pipe) - Design I
4009H	Manhole or Catch Basin (Sectional Concrete Pipe) - Design J
4010H	Concrete Short Cone & Adjusting Ring (Sectional Concrete)
4011E	Precast Concrete Base
4017C	Catch Basin (Concrete Pipe and Metal Pipe) - Designs PC and PM
4018B	Manhole or Catch Basin (Reducer Cone Section Precast) Design D
4020J	Manhole or Catch Basin (For Use With or Without Traffic Loads) (2 sheets)
4021F	Precast Curb Opening Catch Basin
4022A	Manhole or Catch Basin Cover (3 ft. X 2 ft. Opening)
4024A	48" Dia. Precast Shallow Depth Catch Basin - Design SD
4025B	Drop Inlets or Catch Basins - Design DI (Concrete & Metal)
4026A	Concrete Encased Concrete Adjusting Rings
4101D	Ring Casting For Manhole or Catch Basin
4108F	Adjusting Rings for Catch Basins and Manholes
4110F	Cover Casting for Manhole (For Use in all Traffic Areas) – Casting No. 715 and 716
4125D	Catch Basin Frame Casting (For Square Grate) – Casting No. 806
4126F	Catch Basin Frame Casting – Casting No. 801
4129G	Catch Basin Frame Casting (For Square Grate) - Casting No. 802A
4132G	Catch Basin Frame Casting (For Square Grate) – Casting No. 805
4133A	Curb Box Casting for Catch Basin - Casting No. 824
4134A	Curb Box Casting for Catch Basin (For Design B Curbs) - Casting No. 825
4140D	Special Grate Castings for Catch Basin (Convex and Concave) - Casting No. 720 and 721
4143E	Stool Grate & Concrete Frame (Median Drains) - Casting No. 731
4149C	Grate Casting for Catch Basin - Casting No. 810
4150C	Grate Casting for All Pipe Drainage Structures
4151B	Grate Casting for Catch Basin (Square Type) - Casting No. 811
4152C	Catch Basin Grate Casting - Casting No. 814A

PLATE NO.

- 4153A Catch Basin Grate Casting - Casting No. 815
- 4154B Catch Basin Grate Casting - Casting No. 816
- 4155A ADA Grate Inlet Casting – Casting No. 817
- 4160D Curb Box Casting for Catch Basin - Casting No. 823A and 833A
- 4161F Curb Box Casting for Catch Basin - Casting No. 821B, 822 and 831A
- 4180J Manhole or Catch Basin Step

5000 SERIES—EROSION CONTROL STRUCTURES

- 5010A Reinforced Concrete Pipe Energy Dissipator

6000 SERIES—BLANK

7000 SERIES—CURB, CURB AND GUTTER, SIDEWALK

- 7000E Integrant Curbs (Design B, Design V and Design D)
- 7020K Concrete Curb (Design B, Design V, Design S, Design DR and Design BR) (2 Sheets)
- 7038A Detectable Warning Surface Truncated Domes
- 7065C Bituminous Curb
- 7100H Concrete Curb and Gutter (Design B and Design V)
- 7102K Concrete Curb and Gutter (Design D, Design S, and Design R)
- 7105C Concrete Median (Mountable Type)
- 7107I Entrance Nose (Urban Design)
- 7108G Exit Nose (Urban Design)
- 7109C Median Nose and Island (Undivided to Divided Roadway)
- 7111J Installation of Catch Basin Castings (Concrete Curb and Gutter)
- 7112C Installation & Reinforcement of Catch Basin & Manhole Castings (Concrete Integrant Curbs)
- 7113A Concrete Approach Nose Detail

8000 SERIES—BARRICADES, SIGNALS, MARKERS, ETC.

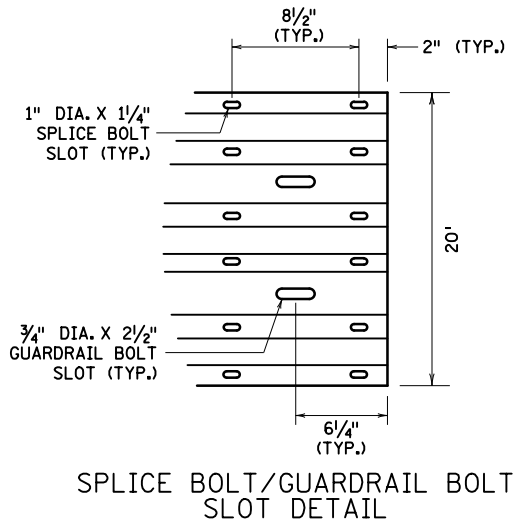
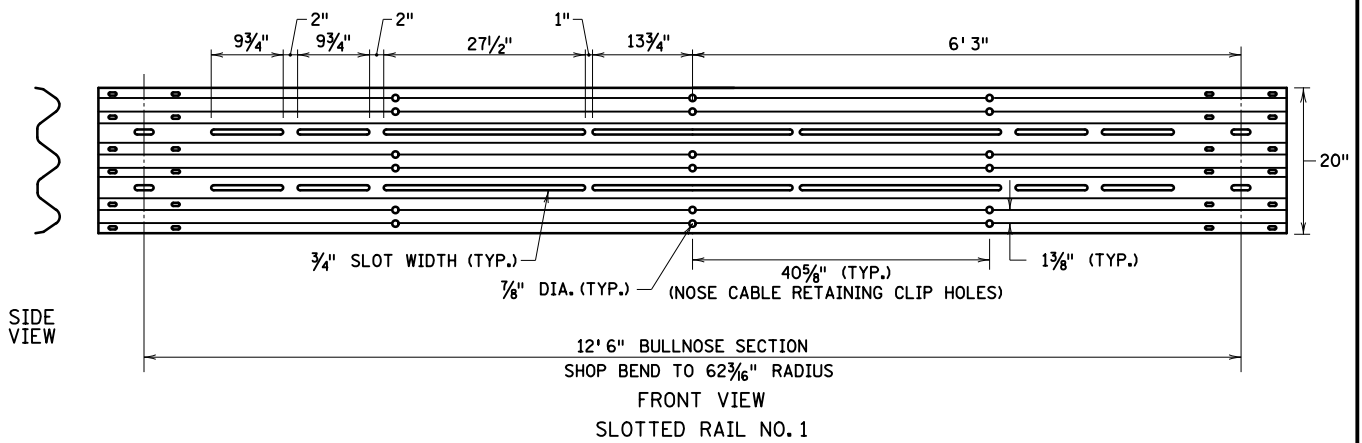
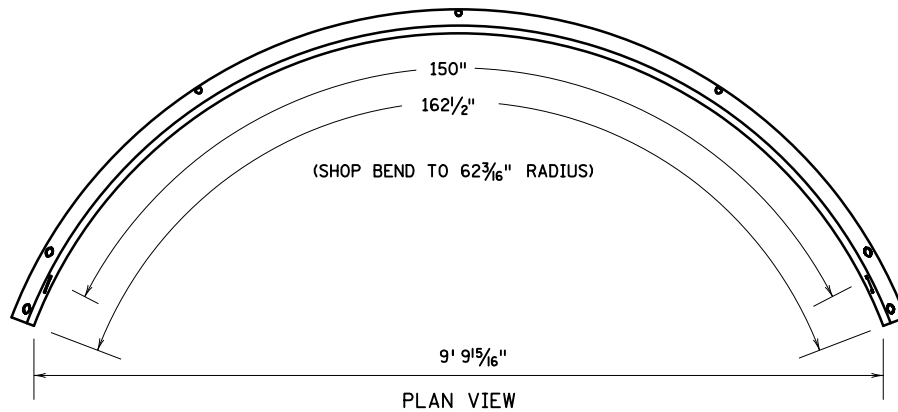
- 8000J Channelizers
- 8106D Equipment Pad B
- 8107A RLF Equipment Pad Foundation Layout
- 8110E Traffic Signal Bracketing (Pole Mounted)
- 8111E Traffic Signal Bracketing (Pedestal Mounted) (3 Sheets)
- 8112I Pedestal Foundation (Traffic Control Signals)
- 8117G Precast Concrete Handhole With Vehicle Load
- 8118D Service Equipment & Pole Traffic Control Signals
- 8119C Ground Mounted Cabinet Foundation
- 8120Q Pole Foundation (PA85)
- 8121H Transformer Base and Pole Base Plate (PA85, PA90 and PA100) (2 Sheets)
- 8122F Pedestal and Pedestal Base (For Traffic Control Signals Support) (2 Sheets)
- 8123G Pole and Mast Arm Luminaires and Traffic Lights Assembly (For All Pole Types) (2 Sheets)
- 8126L Pole Foundation (PA90 and PA100)
- 8127E Light Foundation - Design E, Precast/Cast-In-Place, 40 ft. Pole or Less (2 Sheets)
- 8128E Light Foundation - Design H, Precast/Cast-In-Place, 49 ft. Pole (2 Sheets)
- 8129A Shim and Washer (Traffic Control Signals and Roadway Lighting)
- 8130E Saw Cut Loop Detectors (3 Sheets)
- 8132B Preformed Rigid PVC Conduit Loop Detector (3 Sheets)
- 8133A Pole and Mast Arm - Type BA (9 Sheets)
- 8134C Pole Foundation - Type BA (4 Sheets)
- 8135A Anchor Rod Assembly for Light Tower Foundation

PLATE NO.

8150C	Installation of Culvert Markers
8307S	W-Beam Guardrail & End Anchorages (Installation with Wood Posts) (4 Sheets)
8308C	Reinforced Concrete Median Barrier Type F (Non-Glare Screen Type) (4 Sheets)
8309C	Reinforced Concrete Median Barrier Type F & Glare Screen (4 Sheets)
8316C	Post Seat for Anchorage on Footing or Box Culverts
8318C	Guardrail Anchorage Plate for Bridges and BCT'S
8326D	Flexible Plastic Glare Screen
8330G	3-Cable Guardrail (With Wood Posts) (Assembly Details) (2 Sheets)
8331B	3-Cable Guardrail (With Steel Posts) (3 Sheets)
8332E	Anchor Rod Assembly for Light Foundation - Barrier
8333B	3-Cable Guardrail Anchor (Anchor Details) (4 Sheets)
8337C	Temporary Portable Precast Concrete Barrier (Type "F") (3 Sheets)
8338D	W-Beam Guardrail & End Anchorages (Installation with Steel Posts) (4 Sheets)
8339A	3-Cable (Steel Posts) to W Beam (Wood Posts) Guardrail Transition
8340A	3-Cable (Steel Posts) to W Beam (Steel Posts) Guardrail Transition
8342B	High-Tension Cable Barrier Line Post Foundation (Concrete Design)
8343A	High-Tension Cable Barrier Line Post Foundation (Steel Design)
8347B	Portable Precast Concrete Barrier Anchors
8350A	Thrie Beam Anchorage Plate
8352B	Thrie Beam Wedge Plate for Single Slope Barrier
8355A	W-Beam guardrail
8356A	W-Beam to Thrie-Beam Transition Guardrail
8357A	Thrie Beam Guardrail
8358A	Thrie-Beam Slotted Rail for Bullnose (2 Sheets)
8360B	Guardrail Post Length Marking
8361B	Guardrail Steel Post (3 Sheets)
8362A	Universal Breakaway Steel Post (UBSP) (2 Sheets)
8365A	BCT Timber Post
8366A	BCT Foundation Tube
8368A	CRT Wood Post
8369A	Guardrail Blockout (2 Sheets)
8370A	BCT Cable and Components (2 Sheets)
8371A	Nose Cable – Bullnose Guardrail
8400F	Pipe Railing

9000 SERIES—MISCELLANEOUS

9000E	Approaches and Entrances - Recommended Standards
9101B	Shaping and Sodding of Slopes at Box Culvert Ends
9303B	Geodetic Survey Disks (Aluminum) (2 Sheets)
9304A	Geodetic Survey Disks (Removable Type Disk)
9308A	Survey Monument Cap (2 Sheets)
9309G	PLS (Public Land Survey) Monument (2 Sheets)
9320G	Woven Wire Fence (Wood Post)
9321E	Woven Wire Fence (Steel Post)
9322K	Chain Link Fence (2 Sheets)
9323D	Barbed Wire Fence (Wood Post)
9324C	Barbed Wire Fence (Steel Post)
9350A	Mailbox Support (Swing-Away Type)



NOTES:
ALL SLOTTED RAIL IS 12 GAUGE.
MATERIAL SPECIFICATION PER AASHTO M 180.
GALVANIZATION SPECIFICATION PER ASTM A123.

APPROVED 04-11-2021

Rom S...
STATE DESIGN ENGINEER

STATE OF MINNESOTA
DEPARTMENT OF TRANSPORTATION

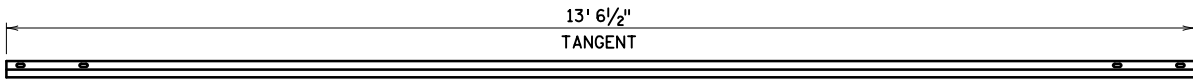
THREE-BEAM SLOTTED
RAIL FOR BULLNOSE

SPECIFICATION
REFERENCE

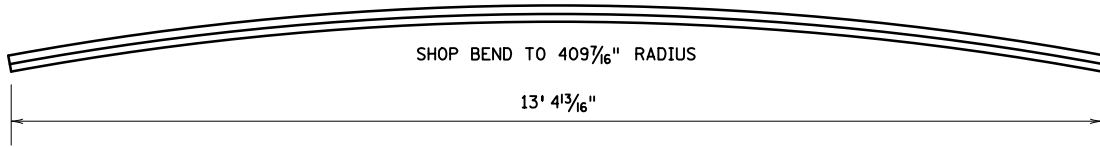
STANDARD
PLATE
NO.

8358A

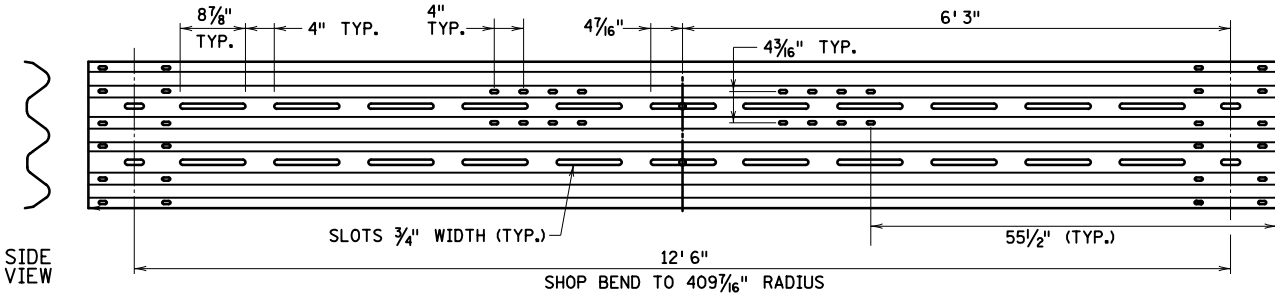
1 OF 2



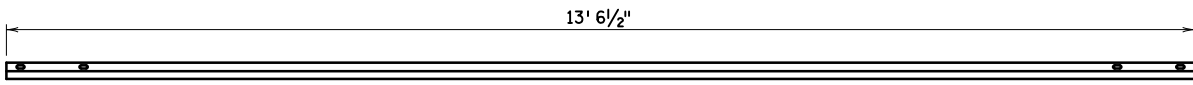
PLAN VIEW - TANGENT



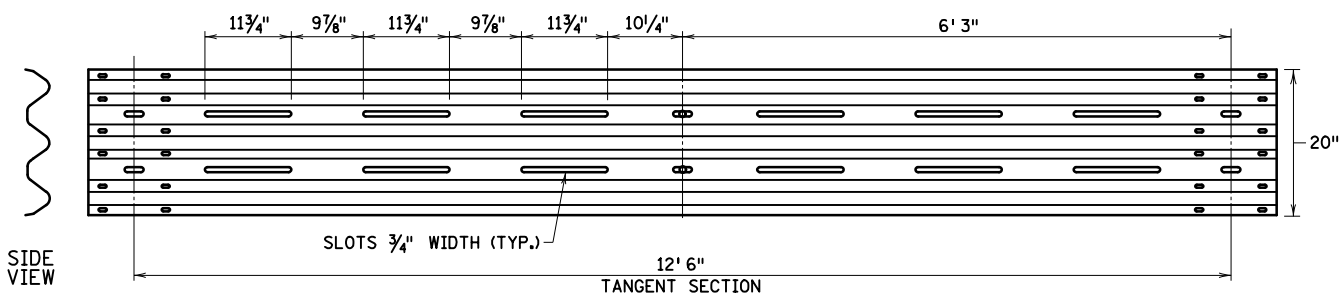
PLAN VIEW - 409⁷/₁₆" RADIUS



FRONT VIEW
SLOTTED RAIL NO. 2



PLAN VIEW



FRONT VIEW
SLOTTED RAIL NO. 3

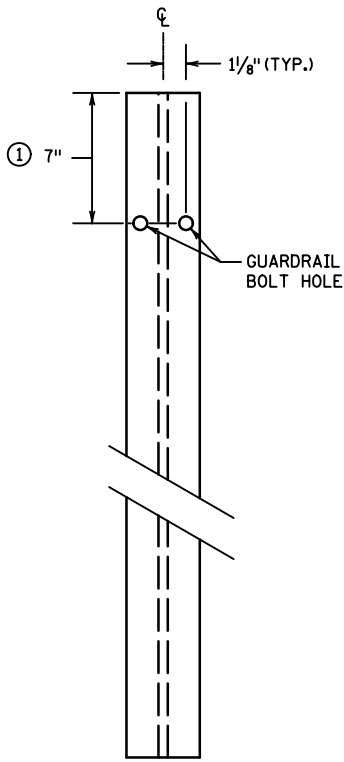
NOTES:
ALL SLOTTED RAIL IS 12 GAUGE.
MATERIAL SPECIFICATION PER AASHTO M 180.
GALVANIZATION SPECIFICATION PER ASTM A123.

APPROVED 04-11-2021
Rom Sln
STATE DESIGN ENGINEER

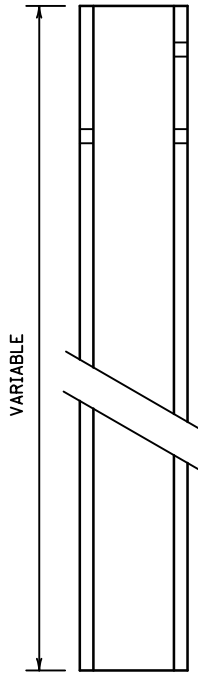
STATE OF MINNESOTA
DEPARTMENT OF TRANSPORTATION
**THRIE-BEAM SLOTTED RAIL
FOR BULLNOSE**

SPECIFICATION
REFERENCE

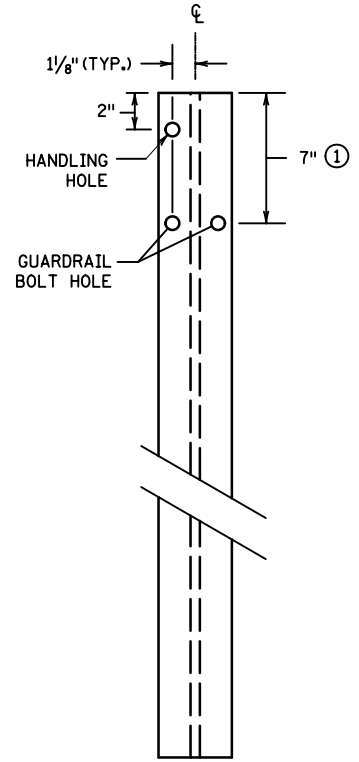
STANDARD
PLATE
NO.
8358A
2 OF 2



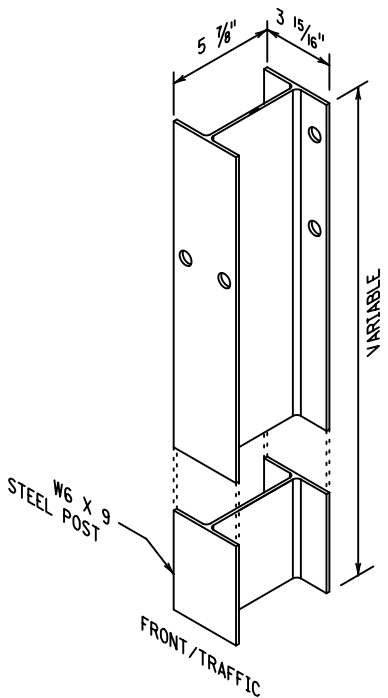
FRONT VIEW



SIDE VIEW



BACK VIEW



ISOMETRIC VIEW

NOTES:

- W6 X 8.5 STEEL POST IS AN ACCEPTABLE ALTERNATE.
- ALL HOLES 3/4" DIAMETER, 13/16" DIAMETER ACCEPTABLE.
- ALL HOLES SHOWN ON BACK OF POST ARE OPTIONAL.
- SEE STANDARD PLATE 8360 FOR POST LENGTH MARKING.

① 7 1/8" DIMENSION ACCEPTABLE.

APPROVED 03-26-2021

Rom S...
STATE DESIGN ENGINEER

STATE OF MINNESOTA
DEPARTMENT OF TRANSPORTATION

GUARDRAIL STEEL POST

(W6 X 9)
(MnDOT TYPE A)

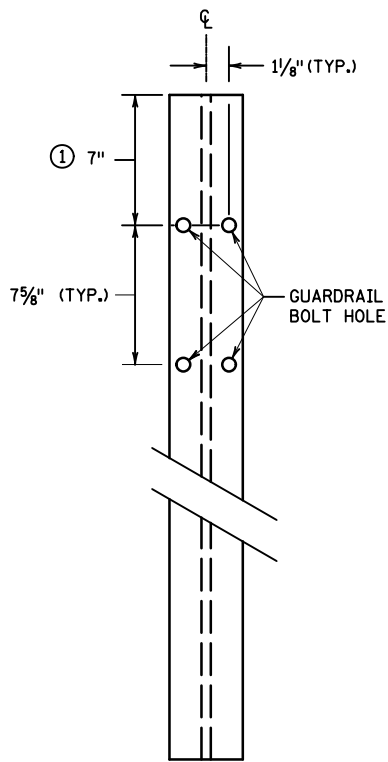
SPECIFICATION
REFERENCE

3306
3394

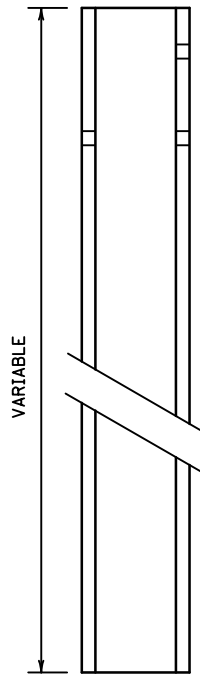
STANDARD
PLATE
NO.

8361B

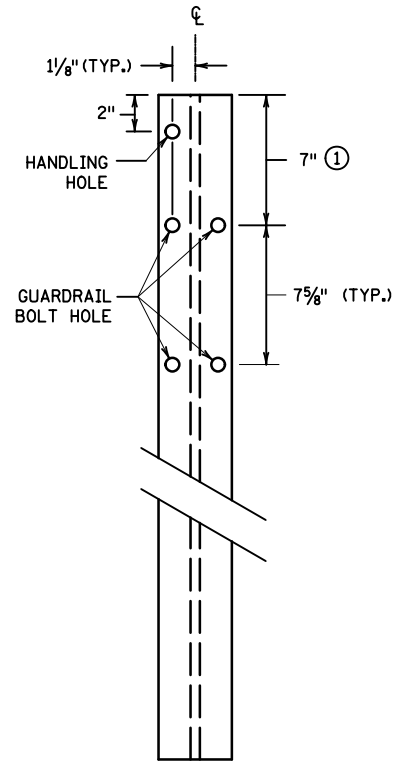
1 OF 3



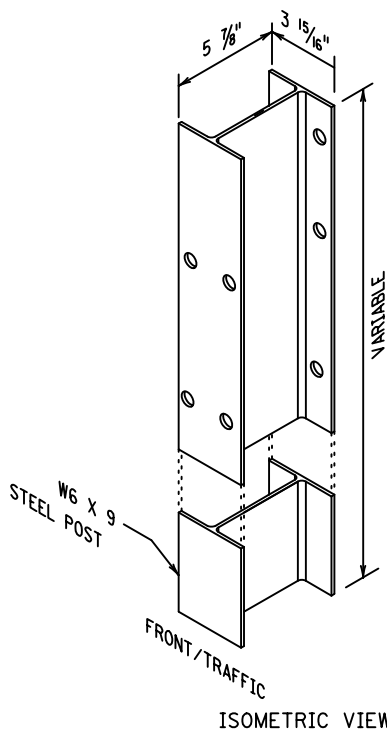
FRONT VIEW



SIDE VIEW



BACK VIEW



ISOMETRIC VIEW

NOTES:

- W6 X 8.5 STEEL POST IS AN ACCEPTABLE ALTERNATE.
- ALL HOLES 3/4" DIAMETER, 13/16" DIAMETER ACCEPTABLE.
- ALL HOLES SHOWN ON BACK OF POST ARE OPTIONAL.
- SEE STANDARD PLATE 8360 FOR POST LENGTH MARKING.

① 7 1/8" DIMENSION ACCEPTABLE.

APPROVED 03-26-2021

Rom S. J.
STATE DESIGN ENGINEER

STATE OF MINNESOTA
DEPARTMENT OF TRANSPORTATION

GUARDRAIL STEEL POST

(W6 X 9)
(MnDOT TYPE B)

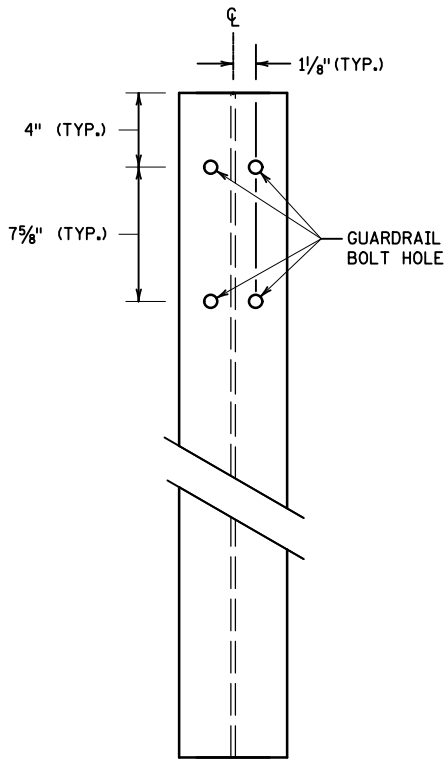
SPECIFICATION
REFERENCE

3306
3394

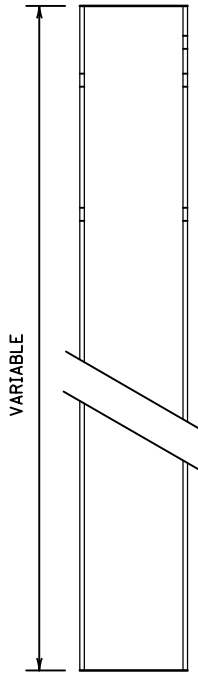
STANDARD
PLATE
NO.

8361B

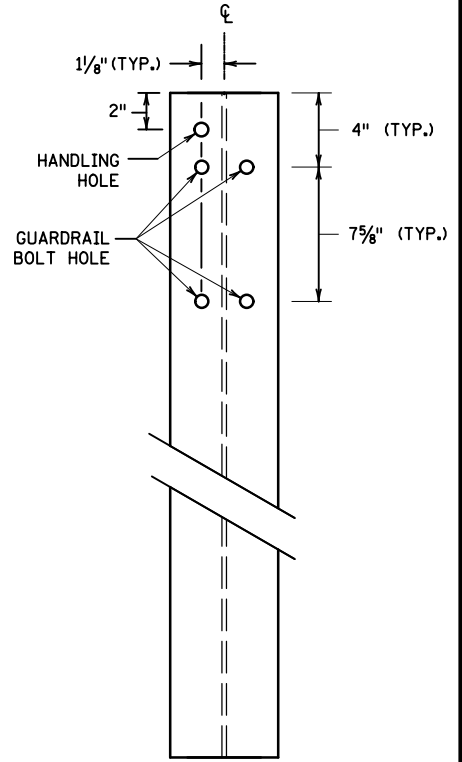
2 OF 3



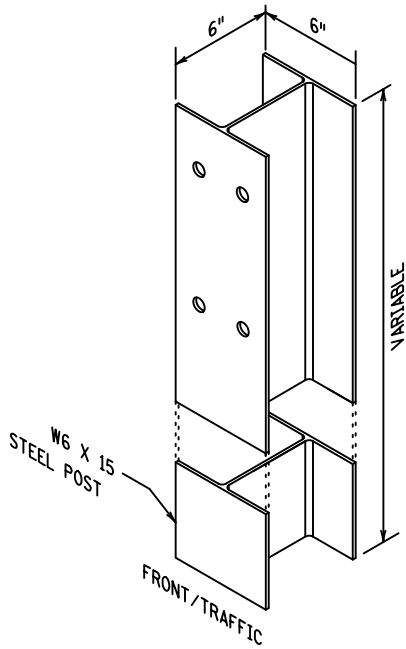
FRONT VIEW



SIDE VIEW



BACK VIEW



ISOMETRIC VIEW

NOTES:

- ALL HOLES 3/4" DIAMETER, 13/16" DIAMETER ACCEPTABLE.
- ALL HOLES SHOWN ON BACK OF POST ARE OPTIONAL.
- SEE STANDARD PLATE 8360 FOR POST LENGTH MARKING.

APPROVED 03-26-2021

Rom S. J.

STATE DESIGN ENGINEER

STATE OF MINNESOTA
DEPARTMENT OF TRANSPORTATION

GUARDRAIL STEEL POST
(W6 X 15)

SPECIFICATION
REFERENCE

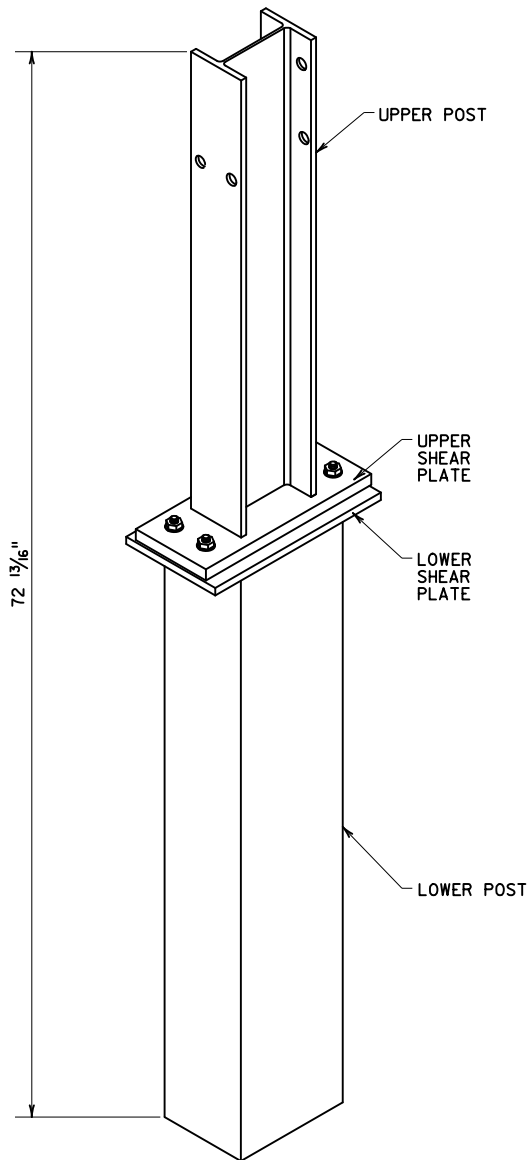
3306
3394

STANDARD
PLATE
NO.

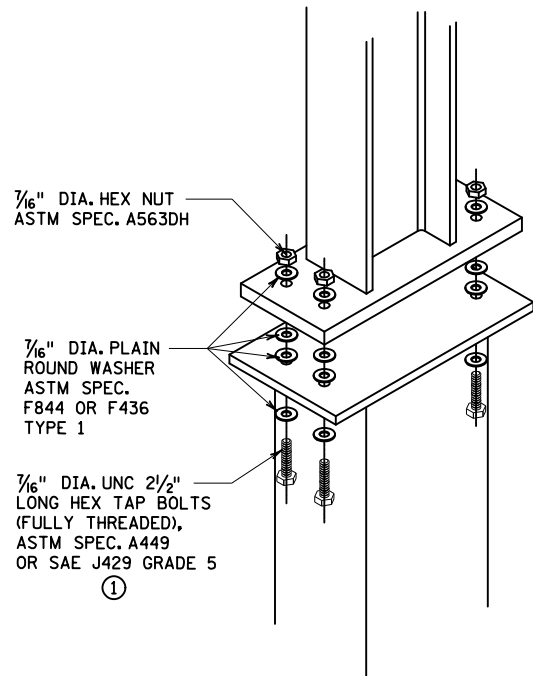
8361B

3 OF 3

THIS PAGE INTENTIONALLY LEFT BLANK




UBSP ASSEMBLY



UBSP ASSEMBLY HARDWARE

NOTES:

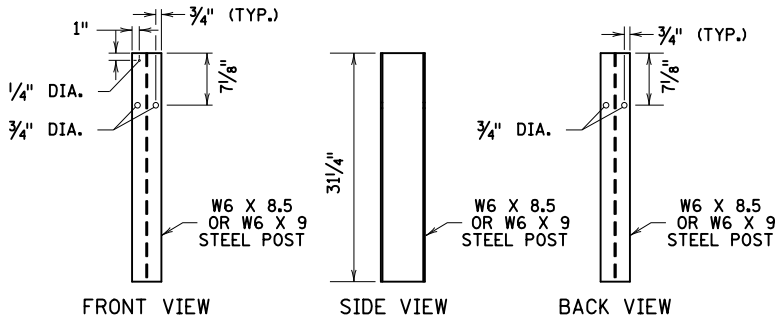
- GALVANIZE ALL HARDWARE PER ASTM A153.
- ① TORQUE TO APPROXIMATELY 60-75 FT-LB.

APPROVED 04-11-2021

 STATE DESIGN ENGINEER

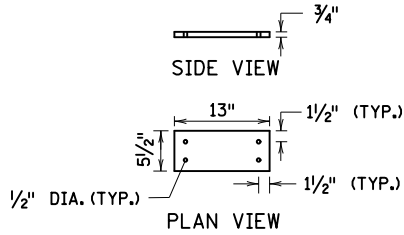
STATE OF MINNESOTA
 DEPARTMENT OF TRANSPORTATION
**UNIVERSAL BREAKAWAY STEEL POST
 (UBSP)**

SPECIFICATION
 REFERENCE
 3306
 3394

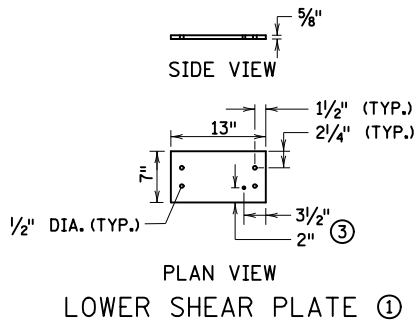
STANDARD
 PLATE
 NO.
8362A
 1 OF 2



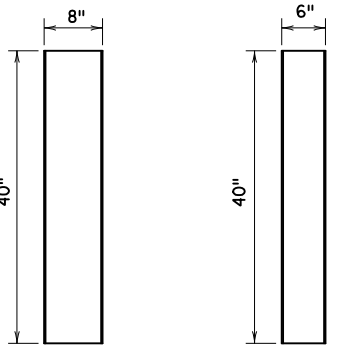
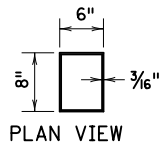
UPPER POST ①



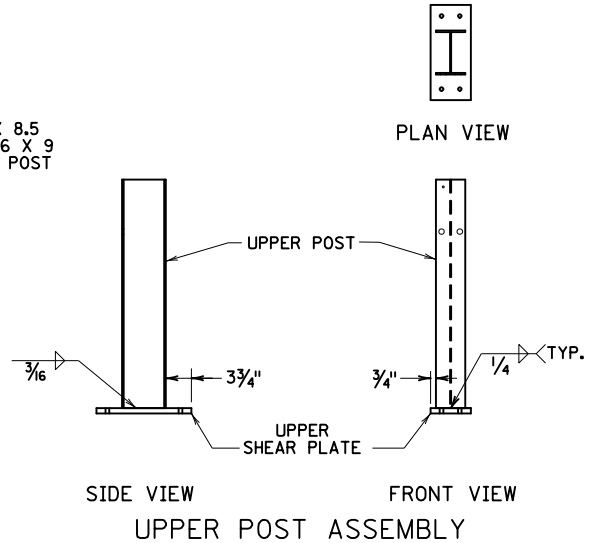
UPPER SHEAR PLATE ①



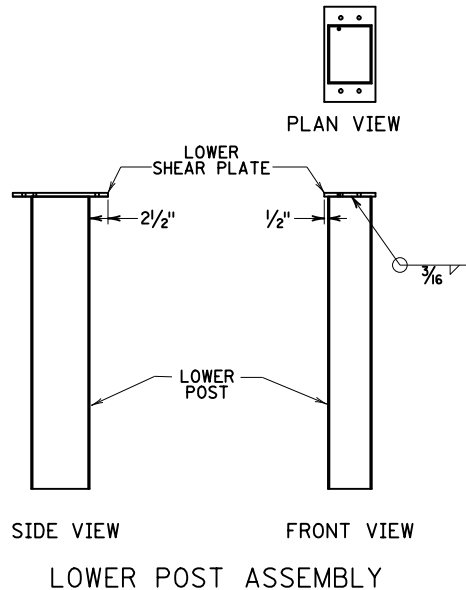
LOWER SHEAR PLATE ①



LOWER POST ②



UPPER POST ASSEMBLY



LOWER POST ASSEMBLY

- NOTES:
 GALVANIZE ALL COMPONENTS PER ASTM A123.
 ① SPECIFICATION PER ASTM A36.
 ② SPECIFICATION PER ASTM A500, GRADE B.
 ③ 3/8" DIA. WEEP HOLE FOR DRAINING OF HOT ZINC COATING DURING THE GALVANIZATION PROCESS.

APPROVED 04-11-2021

Ron Sja
 STATE DESIGN ENGINEER

STATE OF MINNESOTA
 DEPARTMENT OF TRANSPORTATION

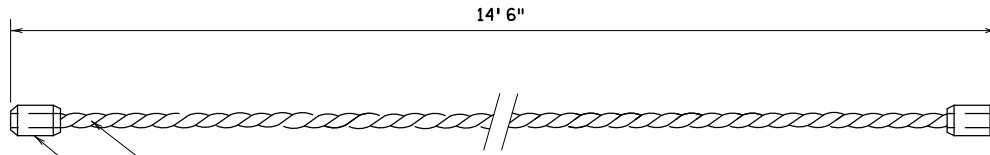
UNIVERSAL BREAKAWAY STEEL POST
 (UBSP)

SPECIFICATION
 REFERENCE

3306
 3361
 3394

STANDARD
 PLATE
 NO.

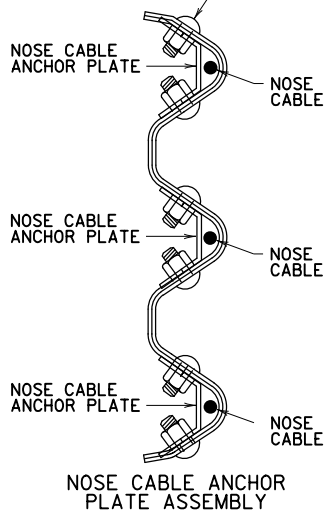
8362A
 2 OF 2



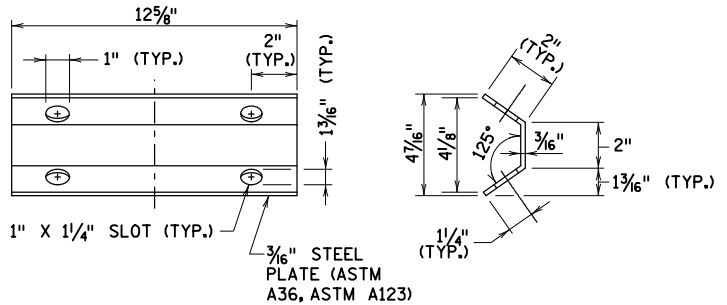
5/8" DIA. 6x19 WIRE ROPE XIPS OR IWRC, ZINC-COATED, (ASTM A741-11)
 SWAGED-GRIP BUTTON FERRULE ("COLD TUFF" BUTTON, S-409, SIZE 12, OR APPROVED EQUAL) (TYP.)

NOSE CABLE

5/8" DIA. X 1 1/2" LONG
 GUARDRAIL BOLT AND
 RECESSED NUT (ASTM A307)
 (TYP.)



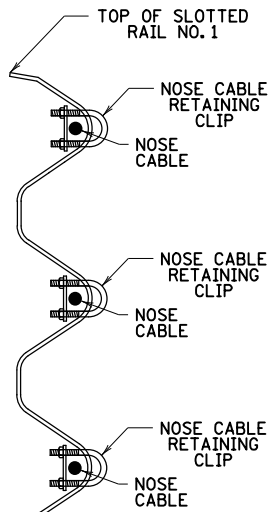
NOSE CABLE ANCHOR
 PLATE ASSEMBLY



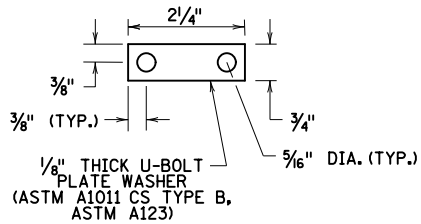
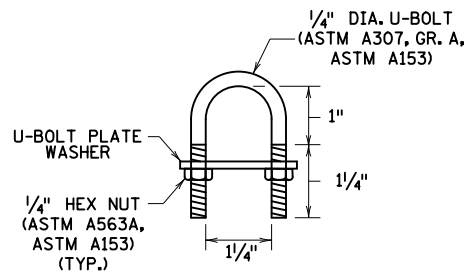
ELEVATION

END VIEW

NOSE CABLE ANCHOR PLATE



NOSE CABLE RETAINING
 CLIP ASSEMBLY ①



NOSE CABLE RETAINING CLIP

NOTES:

- ① THREE NOSE CABLE RETAINING CLIPS PER CABLE, SEE STANDARD PLATE 8358, SLOTTED RAIL NO. 1.

APPROVED 04-11-2021

Rom S. Jha
 STATE DESIGN ENGINEER

STATE OF MINNESOTA
 DEPARTMENT OF TRANSPORTATION

NOSE CABLE - BULLNOSE GUARDRAIL

SPECIFICATION
 REFERENCE

3306
 3391
 3392
 3394

STANDARD
 PLATE
 NO.

8371A

THIS PAGE INTENTIONALLY LEFT BLANK