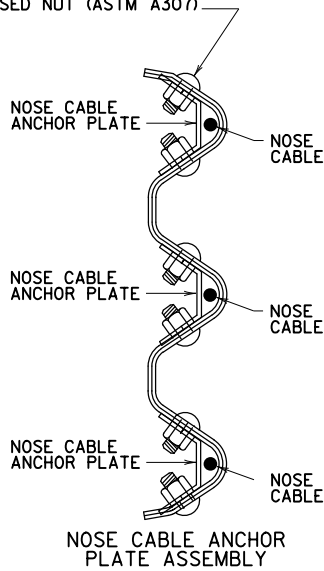


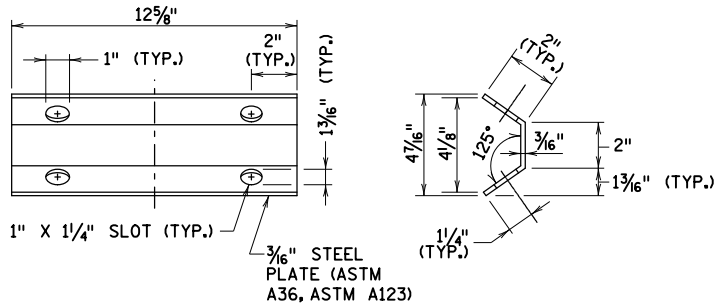
5/8" DIA. 6x19 WIRE ROPE XIPS OR IWRC, ZINC-COATED, (ASTM A741-11)
 SWAGED-GRIP BUTTON FERRULE ("COLD TUFF" BUTTON, S-409, SIZE 12, OR APPROVED EQUAL) (TYP.)

NOSE CABLE

5/8" DIA. X 1 1/2" LONG
 GUARDRAIL BOLT AND
 RECESSED NUT (ASTM A307)
 (TYP.)



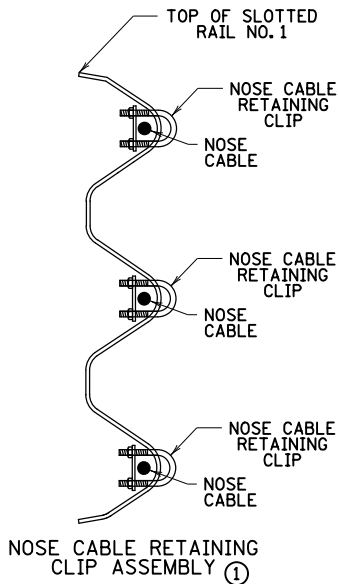
NOSE CABLE ANCHOR
 PLATE ASSEMBLY



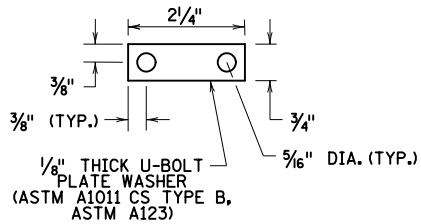
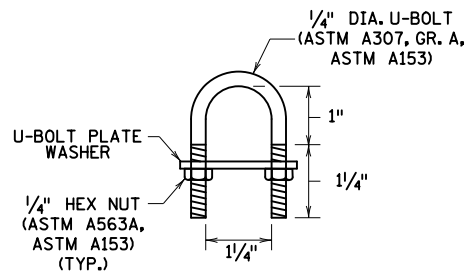
ELEVATION

END VIEW

NOSE CABLE ANCHOR PLATE



NOSE CABLE RETAINING
 CLIP ASSEMBLY ①



NOSE CABLE RETAINING CLIP

NOTES:

- ① THREE NOSE CABLE RETAINING CLIPS PER CABLE, SEE STANDARD PLATE 8358, SLOTTED RAIL NO. 1.

APPROVED 04-11-2021

Rom S. Jha
 STATE DESIGN ENGINEER

STATE OF MINNESOTA
 DEPARTMENT OF TRANSPORTATION

NOSE CABLE - BULLNOSE GUARDRAIL

SPECIFICATION
 REFERENCE

3306
 3391
 3392
 3394

STANDARD
 PLATE
 NO.

8371A