

PLOTTED/REVISED: 16-NOV-2022

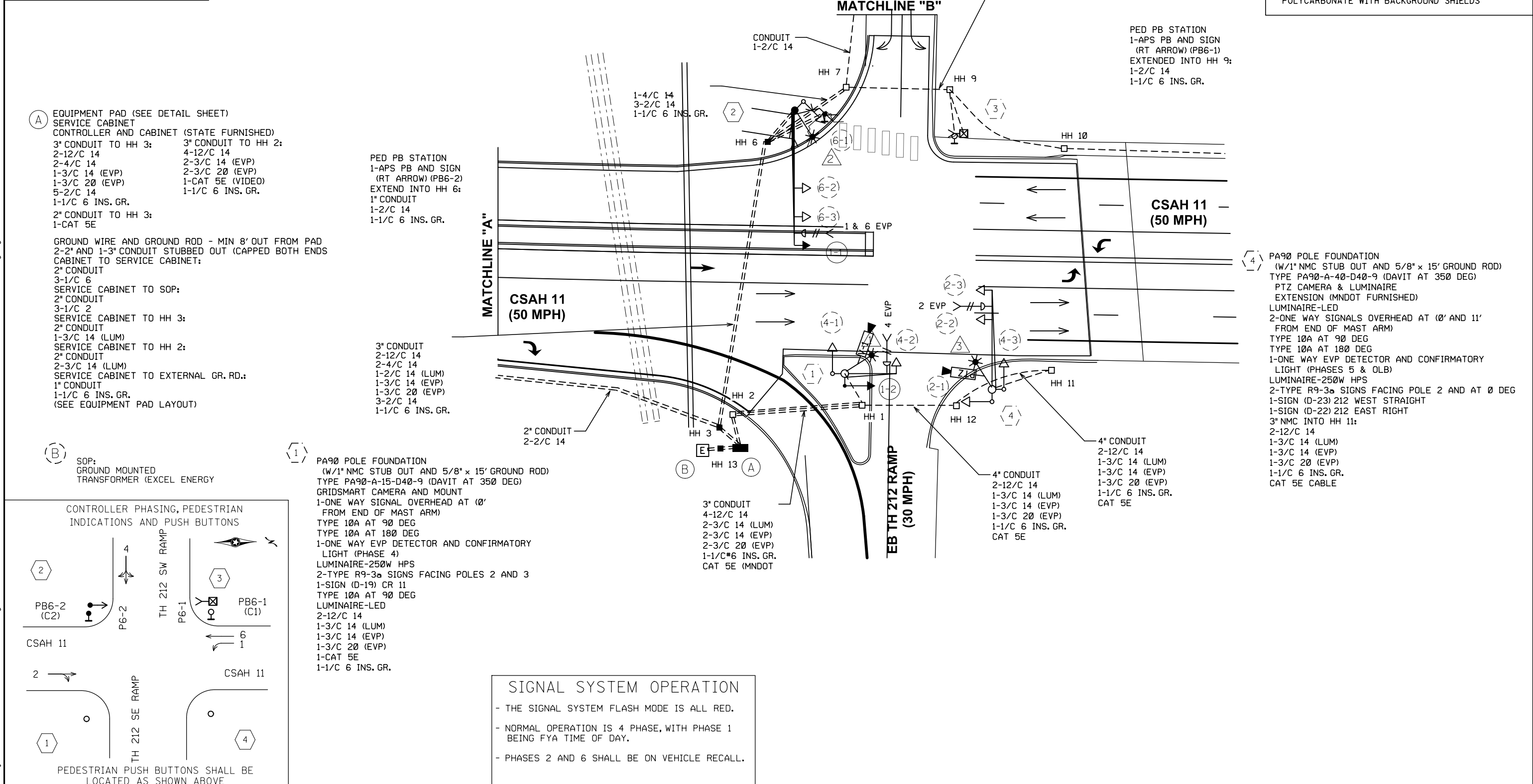
DISTRICT *: Metro
 IPLOT NAME: layout
 FILENAME: Projects\DM_FOS\212\00007TrafficSignals\45.20.01\JONATHAN CAVER PKWY SOUTH RAMP-4098899\T 4098899_sgl.dgn

VEHICLE DETECTION		
NUMBER	NO. OF LOOPS	LOCATION
D1-1, D1-2	CAMERA	5 & 35
D2-1, D2-2	6 X 6	400
D2-1D, D2-2D	CAMERA	300'
D4-1	6 X 6	INP
D4-3, D4-4	CAMERA	5 & 20

-ALL LOOP DETECTORS SHALL BE 6' X 6' NMC OR CAMERA DETECTION
 -LOCATION: DISTANCE FROM CROSSWALK/STOP BAR IN FEET

SIGNAL FACE CHART						
FACE	R	Y	G	FYA	YLTA	GLTA
1-1, 1-2	←	←	←	←		
2-1, 2-2, 2-3	○	○	○			
4-1	○	○	○			
4-2	○	○	○			←
4-3	○				←	←
6-1, 6-2, 6-3	○	○	○			

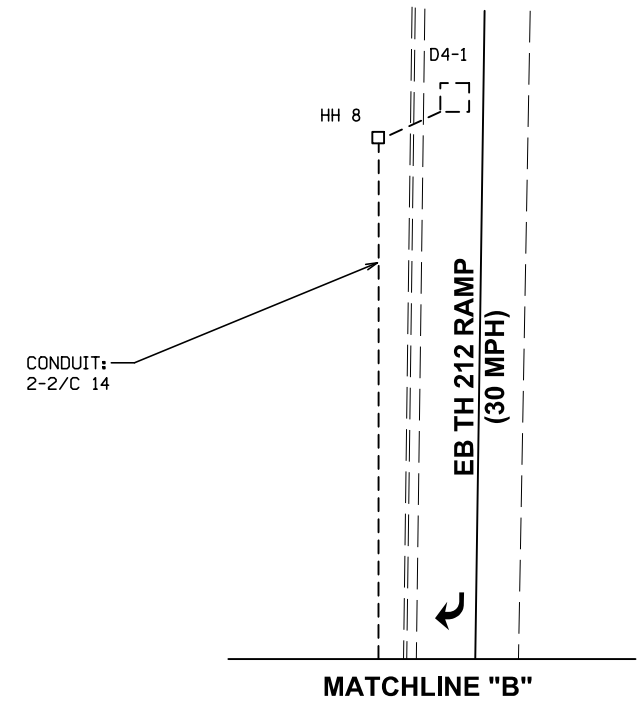
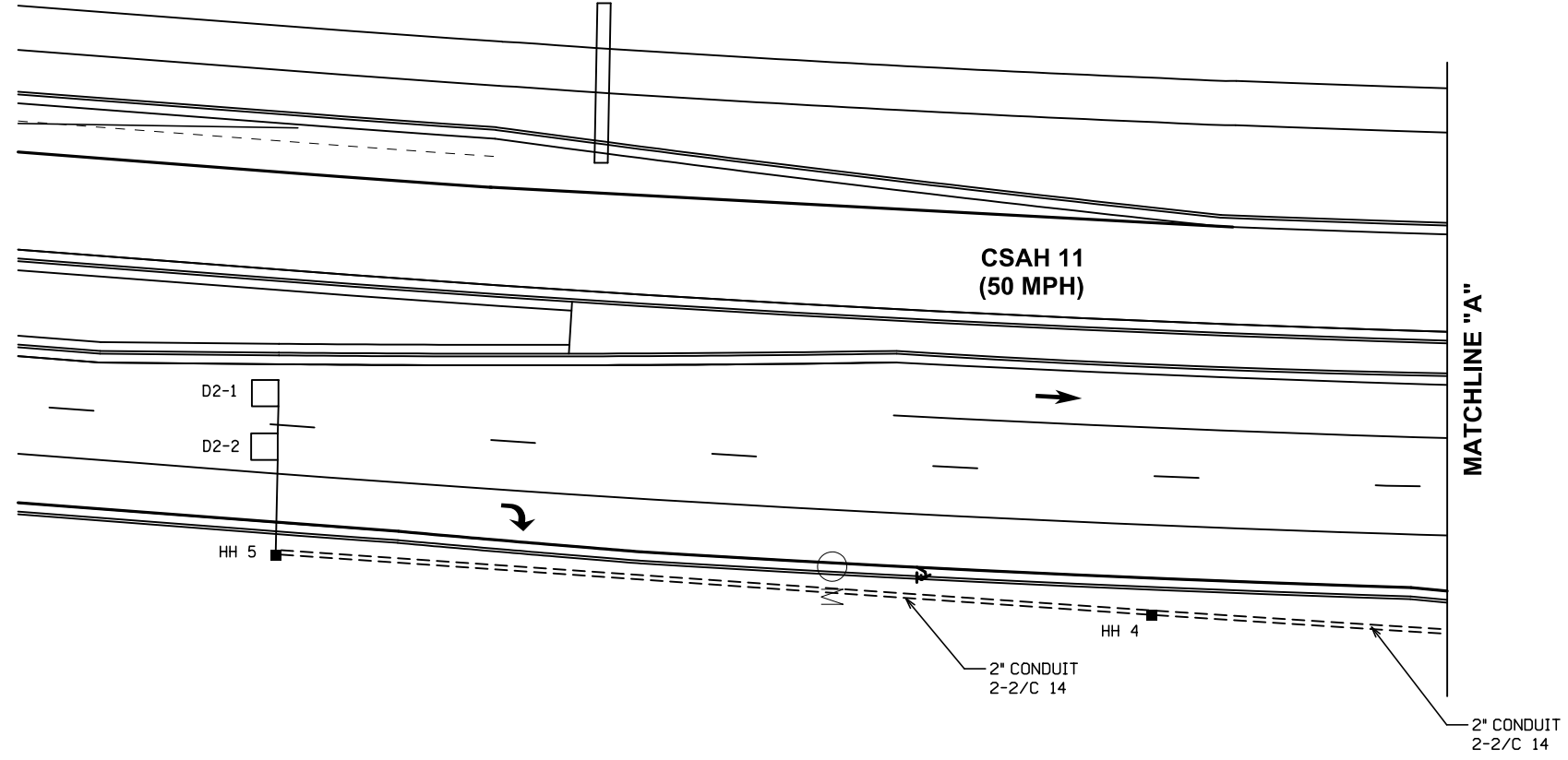
-ALL SIGNAL INDICATIONS SHALL BE 12" LED
 -ALL SIGNAL HEADS SHALL BE BLACK POLYCARBONATE WITH BACKGROUND SHIELDS



BY: SJK	DATE: 11/15/22	REVISIONS: AS-BUILT PLAN SP 1017-110	SYSTEM ID: 4098899	T.E. 27904	S.A.P. NO.	DRAWN BY:	CKD BY:	DATE:
			METER ADDRESS: 12500 COUNTY RD 11	INTERSECTION LAYOUT TH 212 AT CSAH 11 (JONATHAN CAVER PKWY SOUTH RAMP IN CHASAKA, CARVER COUNTY		CERTIFIED BY _____ LIC. NO. _____ DATE: _____		
			OLD SYSTEM ID:			STATE PROJ.NO. 1017-110 (T.H.212)		

PLOTTED/REVISED: 16-NOV-2022

DISTRICT *: Metro
 IPLOT NAME: match lines
 FILENAME: Projects\DM_FROSA\212\0000\Traffic\Signals\45.20.01\JONATHAN CAVER PKWY SOUTH RAMP-4098899\T 4098899_sgl.dgn



BY	DATE	REVISIONS
SJK	11/15/22	AS-BUILT PLAN SP 1017-110

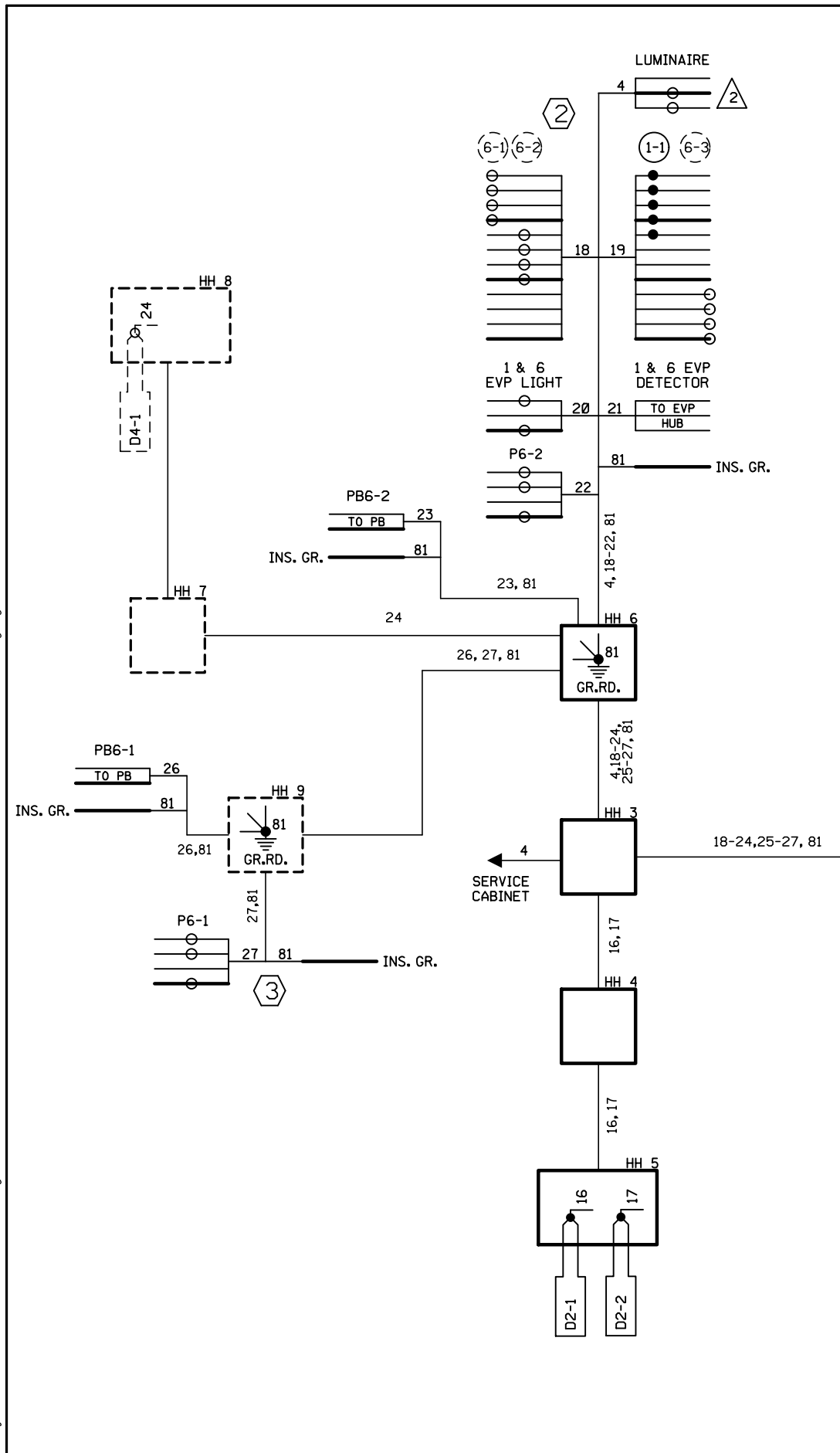
SYSTEM ID: 4098899 T.E. 27904
 METER ADDRESS: 12500 COUNTY RD 11
 OLD SYSTEM ID:

MATCH LINES
TH 212 AT CSAH 11 (JONATHAN CAVER
PKWY SOUTH RAMP
IN CHASAKA, CARVER COUNTY

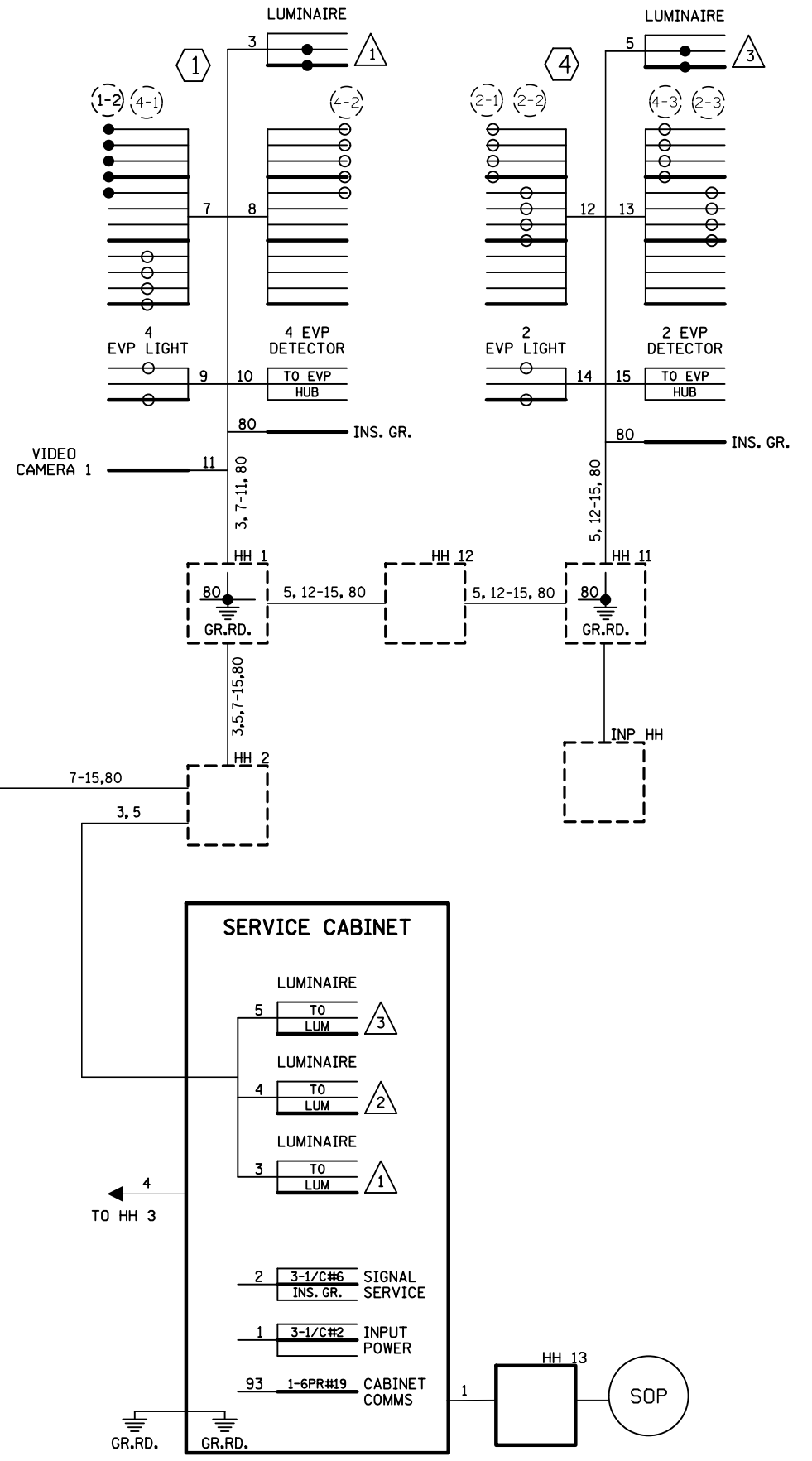
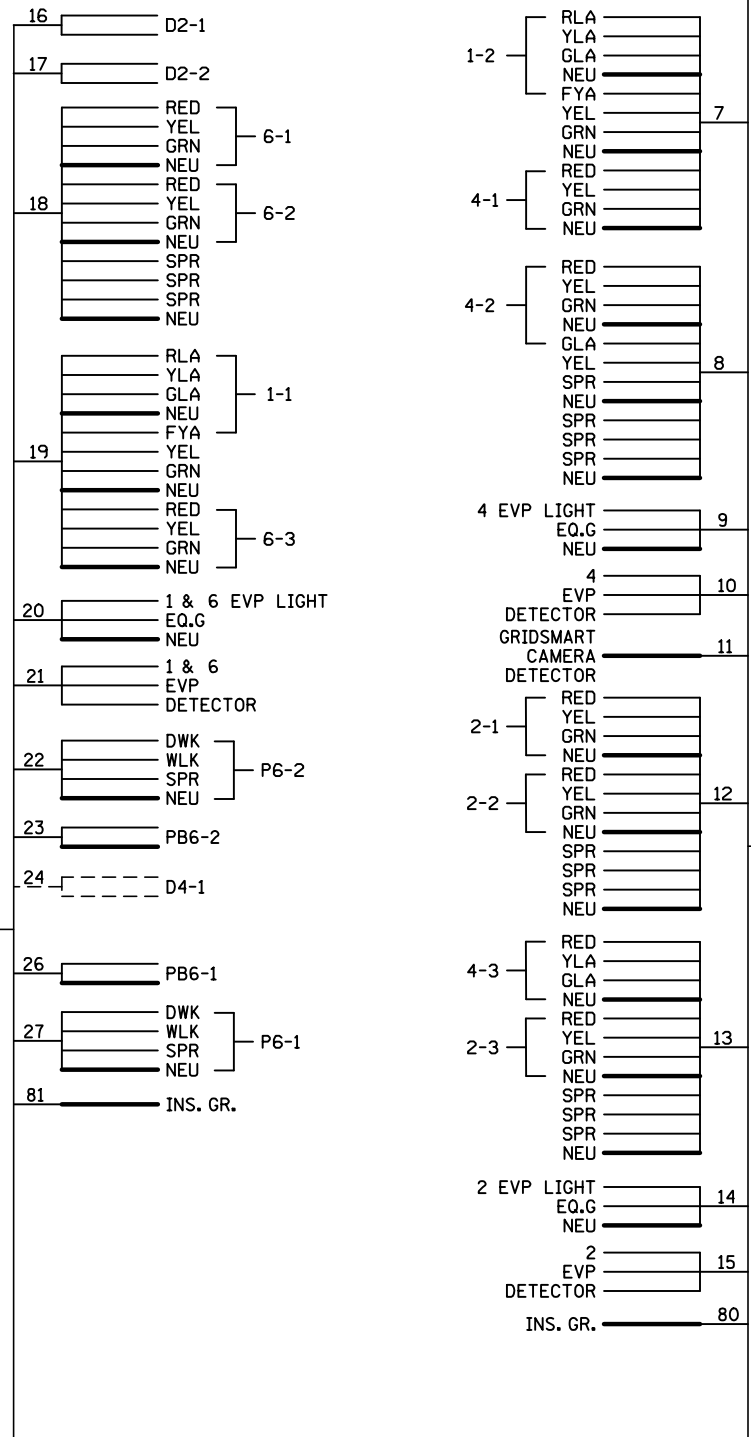
S.A.P. NO.	DRAWN BY:	CKD BY:	DATE:
CERTIFIED BY _____	LIC. NO. _____	DATE: _____	
STATE PROJ.NO. 1017-110 (T.H.212)		SHEET NO. 2 OF 3 SHEETS	

PLOTTED/REVISED: 16-NOV-2022

DISTRICT *: Metro
 IPLOT NAME: wiring diagram
 FILENAME: Projects\DM_FOS\212\00007\Traffic\Signals\45.20.01\JONATHAN CAVER PKWY SOUTH RAMP-4098899\T4098899_sgl.dgn



CABINET CONTROLLER



BY	DATE	REVISIONS
SJK	11/15/22	AS-BUILT PLAN SP 1017-110

SYSTEM ID: 4098899 T.E. 27904
 METER ADDRESS: 12500 COUNTY RD 11
 OLD SYSTEM ID:

WIRING DIAGRAM
TH 212 AT CSAH 11 (JONATHAN CAVER
PKWY SOUTH RAMP
IN CHASAKA, CARVER COUNTY

S.A.P. NO.	DRAWN BY:	CKD BY:	DATE:
CERTIFIED BY _____	LIC. NO. _____	DATE: _____	
STATE PROJ.NO. 1017-110 (T.H.212)		SHEET NO. 3 OF 3 SHEETS	