

PARTIAL ELEVATION
SIGN MOUNTING POSTS NOT SHOWN FOR CLARITY

BEAM CAP DETAIL

SECTION B-B
DRILLED SHAFT REINFORCEMENT NOT SHOWN FOR CLARITY

POST SECTION

LEAD EXPERT OFFICE
KEVIN WESTERN
STATE BRIDGE ENGINEER

MONOTUBE OVERHEAD SIGN STRUCTURES
CANTILEVER - POST AND BASEPLATE DETAILS

APPROVED: 01-15-2021
REVISED:

Tom Styrbicki
THOMAS STYRBICKI
STATE DESIGN ENGINEER

STANDARD PLAN
5-297.748

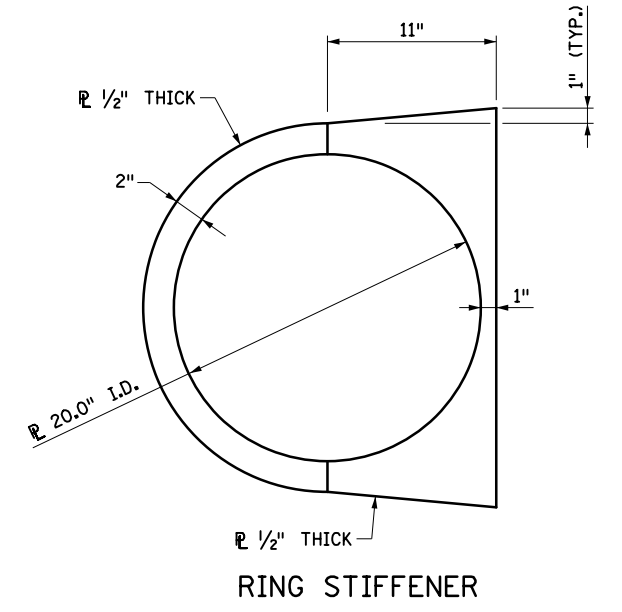
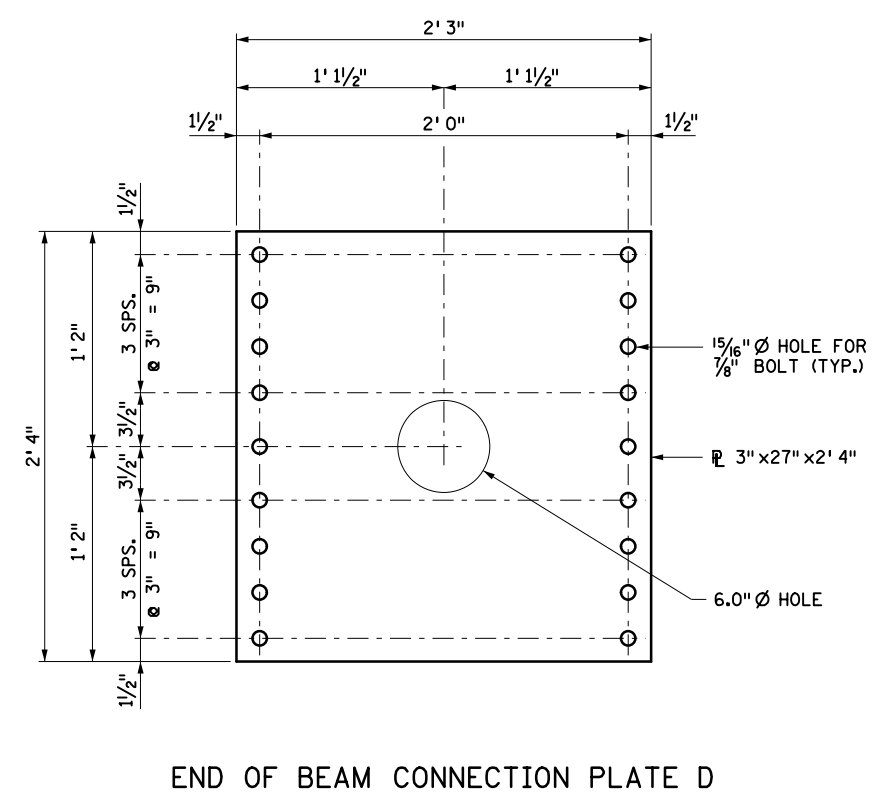
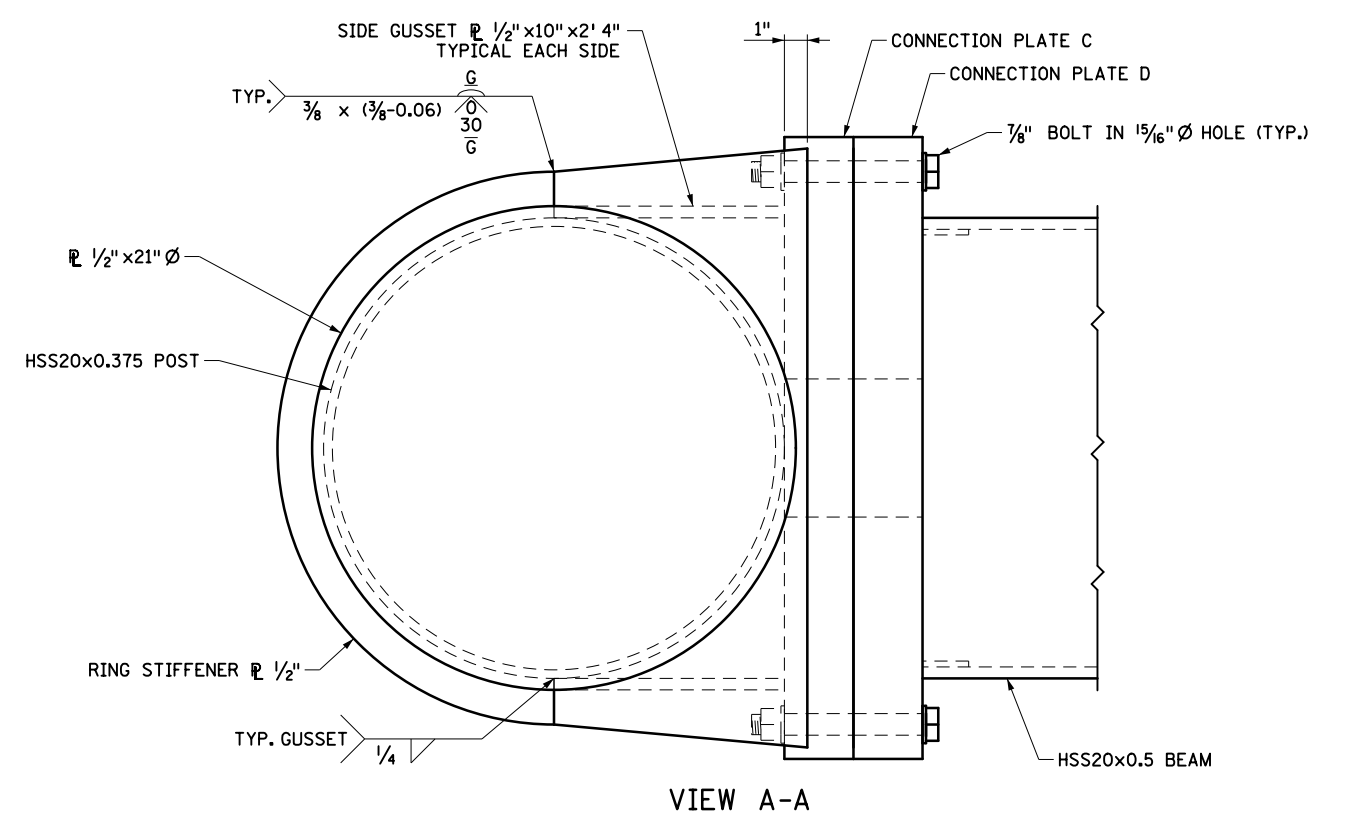
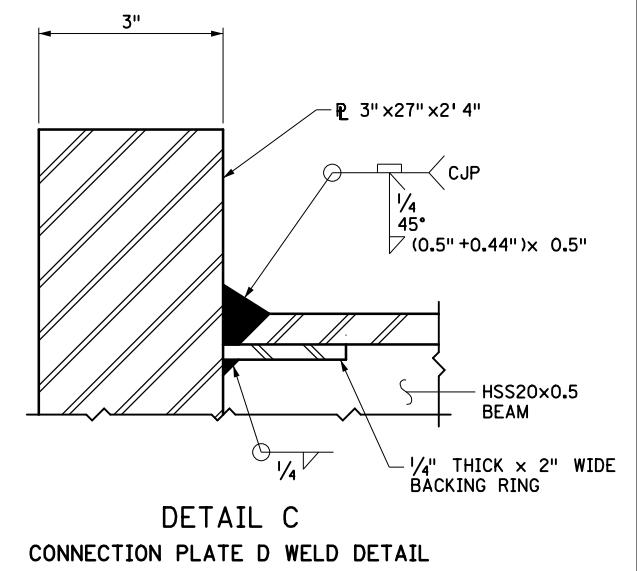
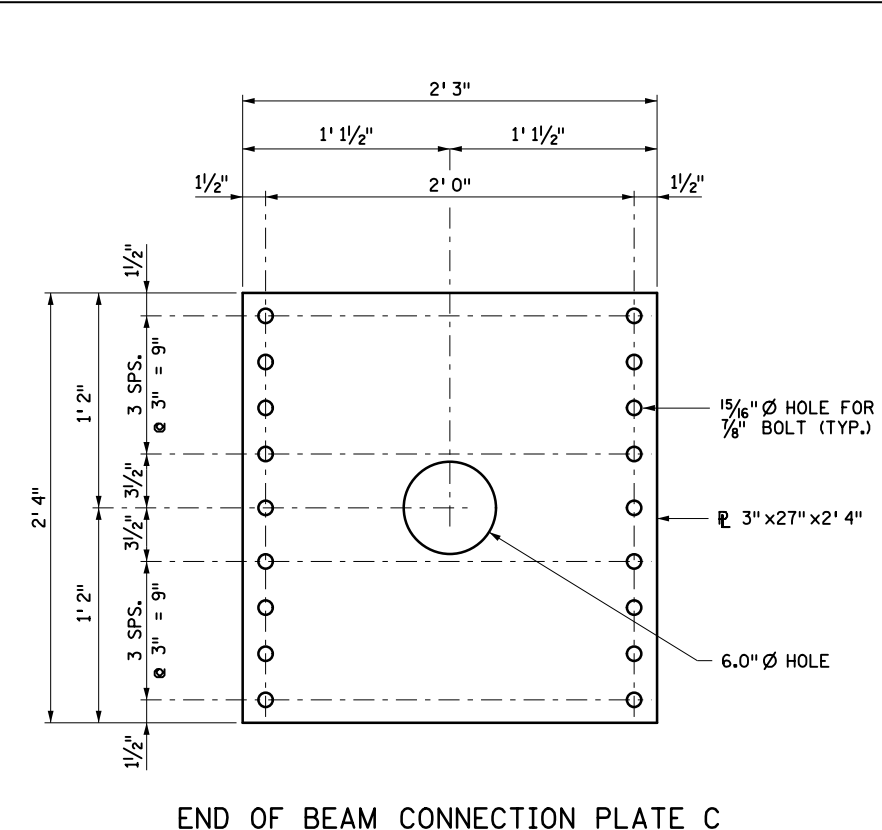
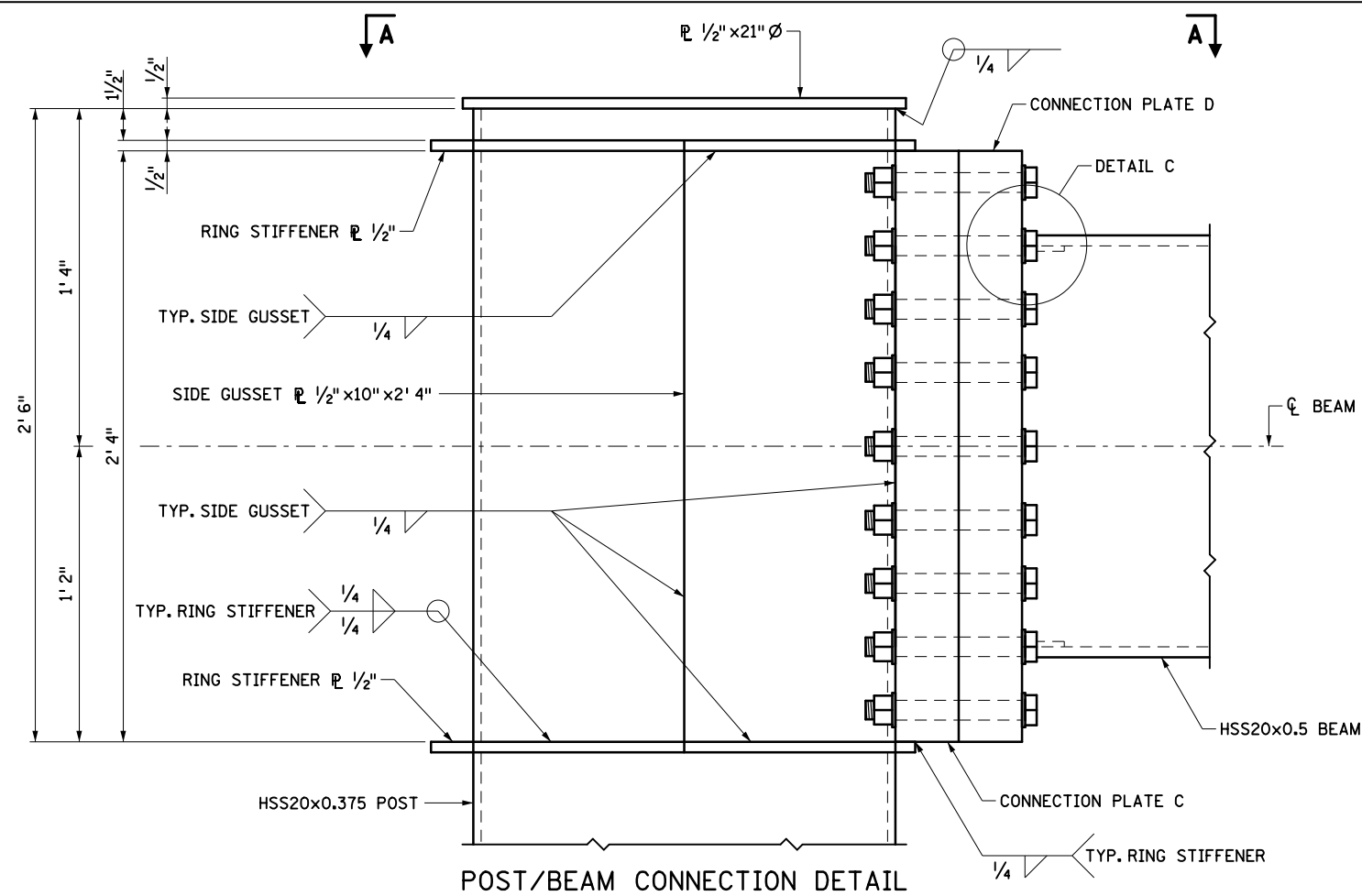
1 OF 2



STANDARD PLAN

STATE PROJ. NO.
TRUNK HWY.

SHEET NO.
TOTAL SHEETS



LEAD EXPERT OFFICE
KEVIN WESTERN
STATE BRIDGE ENGINEER



MONOTUBE OVERHEAD SIGN STRUCTURES
CANTILEVER - BEAM DETAILS

APPROVED: 01-15-2021
REVISED:

THOMAS STYRBICKI
STATE DESIGN ENGINEER

STANDARD PLAN
5-297.748

2 OF 2

STANDARD PLAN

STATE PROJ. NO.
TRUNK HWY.

SHEET NO.
TOTAL SHEETS