

LEAD EXPERT OFFICE  
KEVIN WESTERN  
STATE BRIDGE ENGINEER



MONOTUBE OVERHEAD SIGN STRUCTURES  
SIMPLE SPAN - POST AND BASEPLATE DETAILS

APPROVED: 01-15-2021  
REVISED:

THOMAS STYRBICKI  
STATE DESIGN ENGINEER

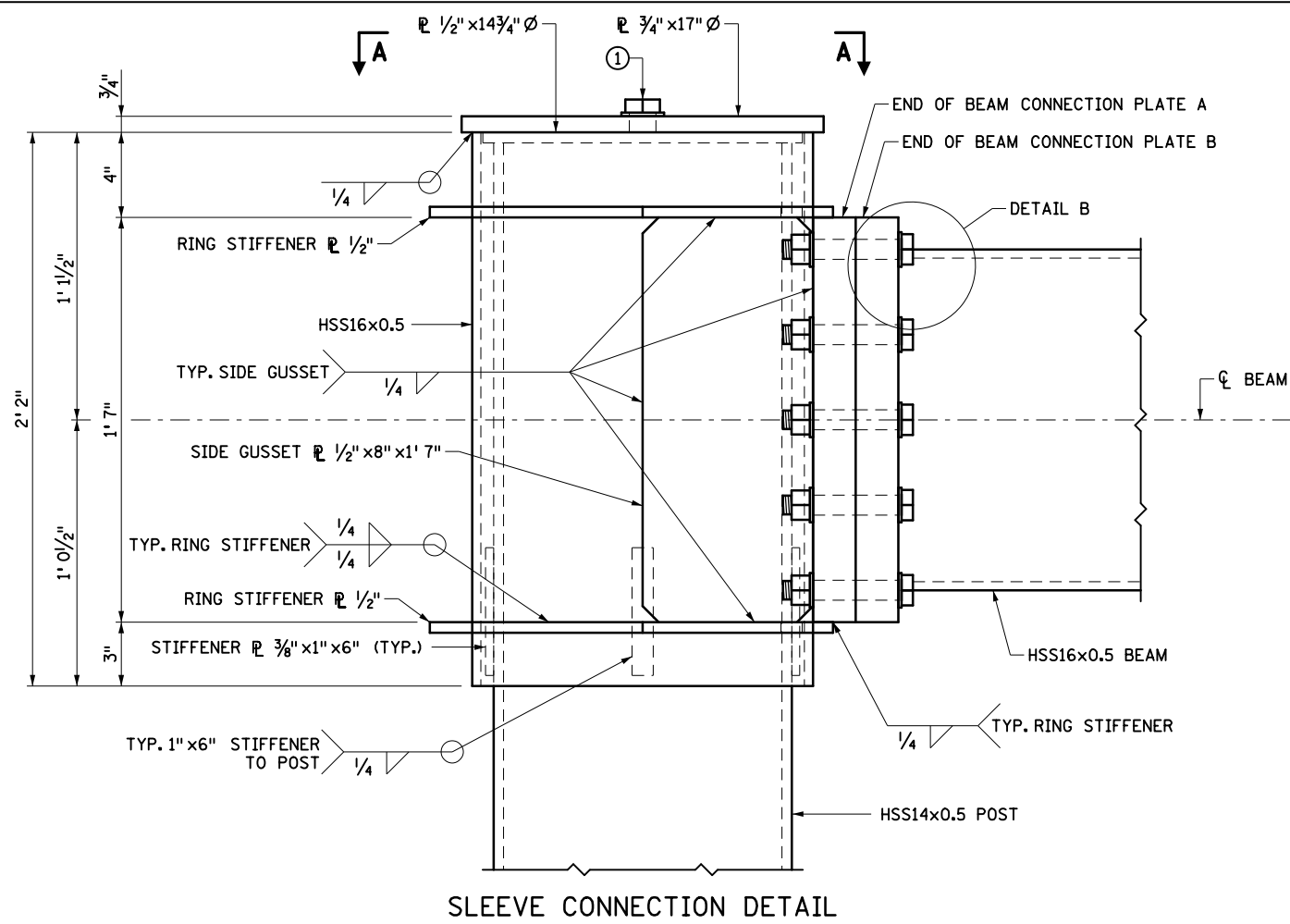
STANDARD PLAN  
5-297.747

1 OF 2

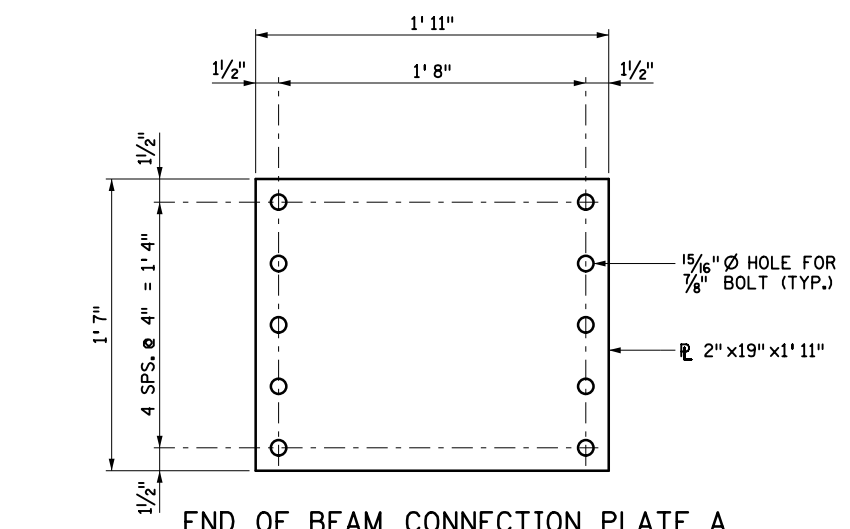
STANDARD PLAN

STATE PROJ. NO.  
TRUNK HWY.

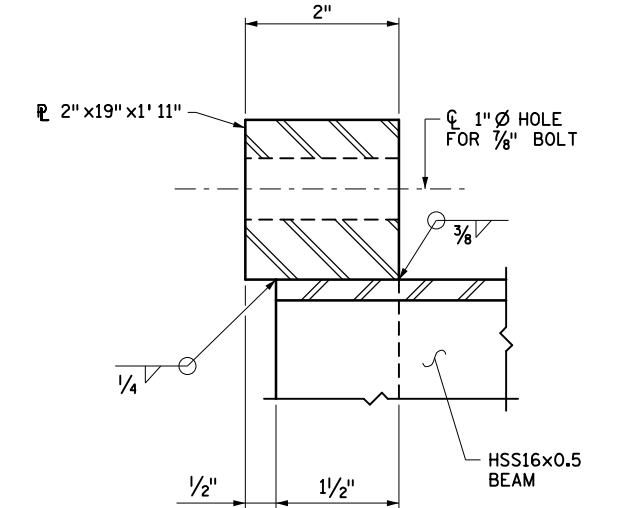
SHEET NO.  
TOTAL SHEETS



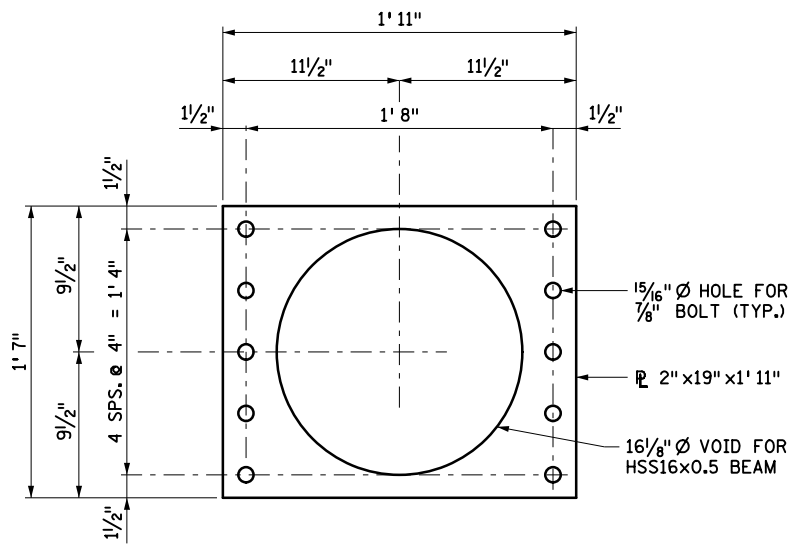
SLEEVE CONNECTION DETAIL



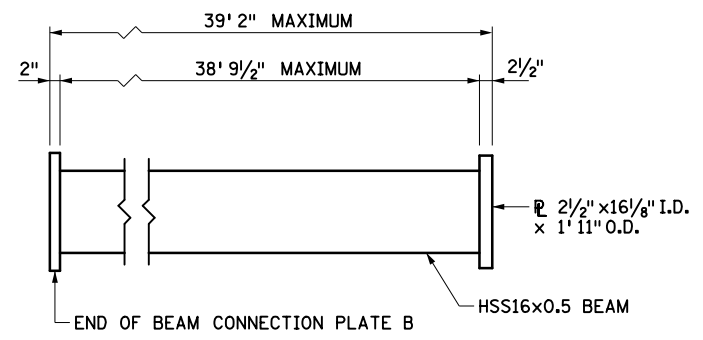
END OF BEAM CONNECTION PLATE A



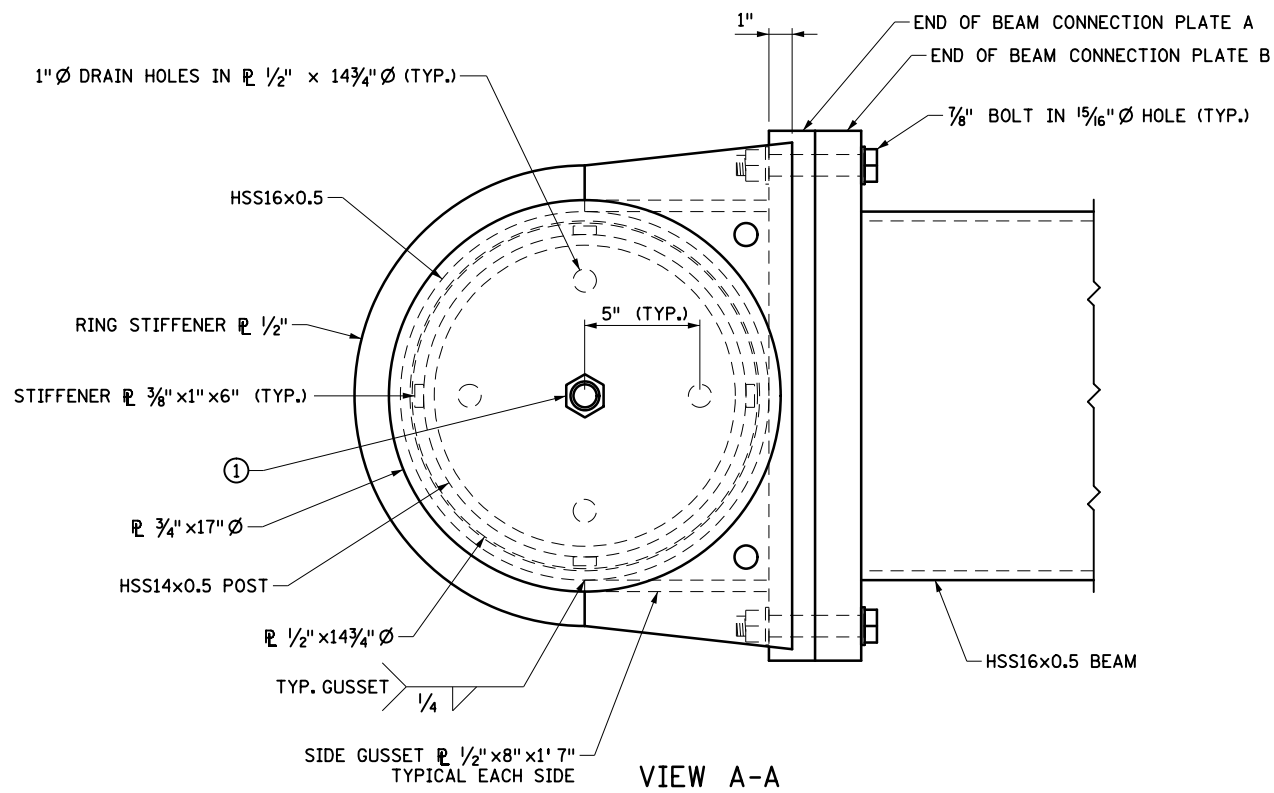
DETAIL B CONNECTION PLATE B WELD DETAIL



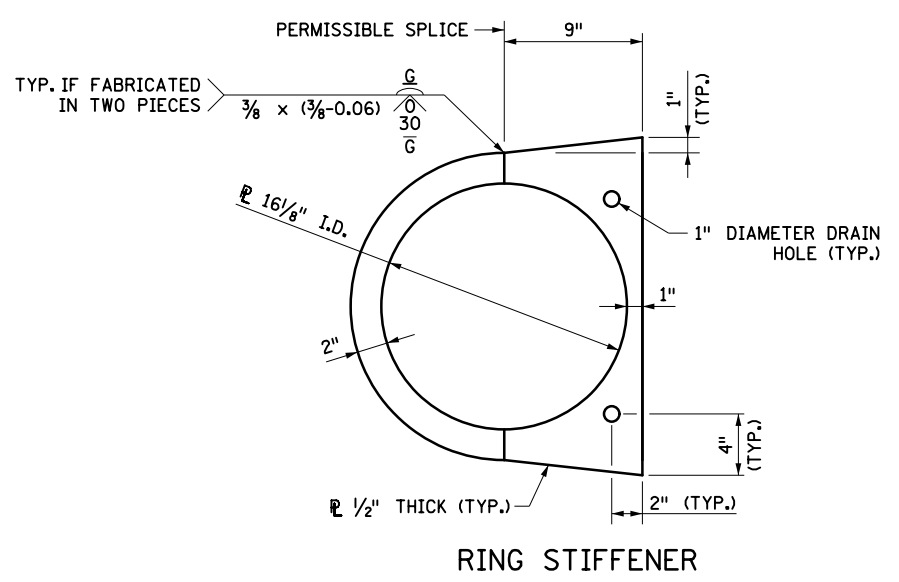
END OF BEAM CONNECTION PLATE B



TYPICAL BEAM SECTION



VIEW A-A



RING STIFFENER

NOTE:  
 ① 1/16 inch diameter hole centered in 3/4 inch x 17 inch diameter hole centered in 1/2 inch x 14 3/4 inch diameter drilled and tapped for 7/8 inch x 2 inch bolt.

LEAD EXPERT OFFICE	KEVIN WESTERN STATE BRIDGE ENGINEER	MONOTUBE OVERHEAD SIGN STRUCTURES SIMPLE SPAN - BEAM DETAILS	APPROVED: 01-15-2021	 THOMAS STYRBICKI STATE DESIGN ENGINEER	STANDARD PLAN	2 OF 2
			REVISED:		5-297.747	
		STANDARD PLAN			STATE PROJ. NO.	SHEET NO.
					TRUNK HWY.	TOTAL SHEETS