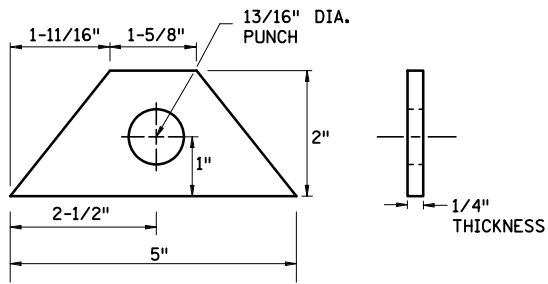
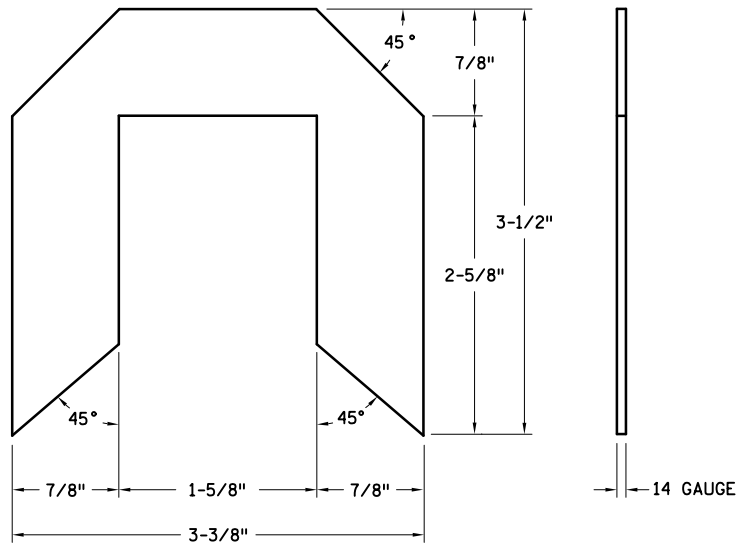


OPTION A



OPTION B

TRAFFIC SIGNAL PEDESTAL WASHERS ①



SIGNAL AND LIGHTING LEVELING SHIM ②

NOTES:

- ① WASHERS PER SPEC. 3832.2C3, EXCEPT THE DIMENSIONS MUST BE AS SHOWN.
- ② MATERIAL - GALVANIZED STEEL SHEET 36,000 PSI MIN. YIELD PER ASTM A924.
FINISH - PREPLATED GALVANIZED MATERIAL

APPROVED DECEMBER 20, 2011

M. J. [Signature]
STATE DESIGN ENGINEER

STATE OF MINNESOTA
DEPARTMENT OF TRANSPORTATION

SHIM AND WASHER
(TRAFFIC CONTROL SIGNALS
AND ROADWAY LIGHTING)

SPECIFICATION
REFERENCE

2545
2565

STANDARD
PLATE
NO.

8129A