

PLOTTED/REVISED: 11/16/2016

### LED SIGNAL INDICATIONS

FACE	R	Y	G	RLTA	YLTA	GLTA
2-1,2-2,2-3	○	○	○			
2-4,2-5	○	○	○			
4-1	○	○	○			
4-2	●	●	●			
4-3	●	●	●			
6-1,6-2,6-3	○	○	○			

-ALL VEHICLE SIGNAL INDICATIONS SHALL BE 12"  
 -EACH SIGNAL FACE SHALL BE BLACK POLYCARBONITE WITH BACKGROUND SHIELD

### PVC LOOP DETECTORS

DESIGNATION	NO. & SIZE/FT.	LOCATION
D1-1 - ABANDONED	1-6'X6'	40'
D1-2 - ABANDONED	1-6'X6'	10'
D2-1,D2-2,D2-3,D2-4	1-6'X6'	300'
D4-1,D4-2,D4-3	1-6'X6'	250'
D4-4	2-6'X6'	-6',9'
D4-5,D4-6	2-6'X6'	0',15'
D6-1,D6-2	1-6'X6'	300'

-LOCATION: DISTANCE FROM CROSSWALK/STOP LINE IN FEET

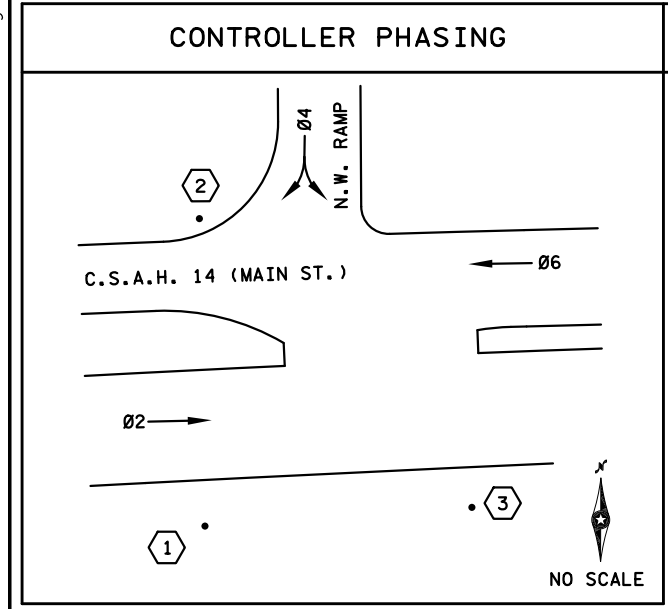
- (A) EQUIPMENT PAD**  
 CONTROLLER & CABINET  
 SERVICE CABINET  
 1 - FIBER-OPTIC TELEMETRY  
 INTERFACE PANEL WITH HARNESS  
 2 - FIBER-OPTIC MODEMS  
 EXTEND 4" PVC INTO HH-1 WITH:  
 4 - 12/C #14 11 - 2/C #14  
 2 - 3/C #14 1 - 1/C #6 INS.GR.  
 2 - 3/C #20  
 1 - FO CABLE (6MM,6SM)  
 EXTEND 4" PVC INTO HH-16 WITH:  
 2 - 12/C #14 1 - 4/C #14  
 1 - 3/C #14 2 - 2/C #14  
 1 - 3/C #20 1 - 1/C #6 INS.GR.  
 1 - FO CABLE (6MM,6SM)  
 3" PVC STUBBED OUT  
 (THREADED & CAPPED BOTH ENDS)  
 3/4" PVC STUBBED OUT  
 (THREADED & CAPPED BOTH ENDS)  
 CONTROLLER TO SERVICE CABINET  
 EXTEND 2" PVC WITH:  
 2 - 1/C #6 AND 1 - 1/C #6 INS.GR.  
 SERVICE CABINET TO HH-1  
 EXTEND 2" PVC WITH:  
 3 - 3/C #14 (LUM.)  
 SERVICE CABINET TO HH-17  
 EXTEND 2" PVC WITH:  
 3 - 1/C #2

- (B) SOURCE OF POWER**  
 GROUND MOUNTED TRANSFORMER  
 (APPROXIMATE LOCATION)  
 EXTEND 2" PVC INTO HH-17 WITH:  
 3 - 1/C #2

MATCH LINE "C"

MATCH LINE "D"

MATCH LINE "E"



### SIGNAL OPERATION NOTES

- NORMAL OPERATION IS 3 PHASE
- FLASH MODE SHALL BE ALL RED
- Ø2 AND Ø6 SHALL BE ON VEHICLE RECALL

BY	DATE	REVISIONS

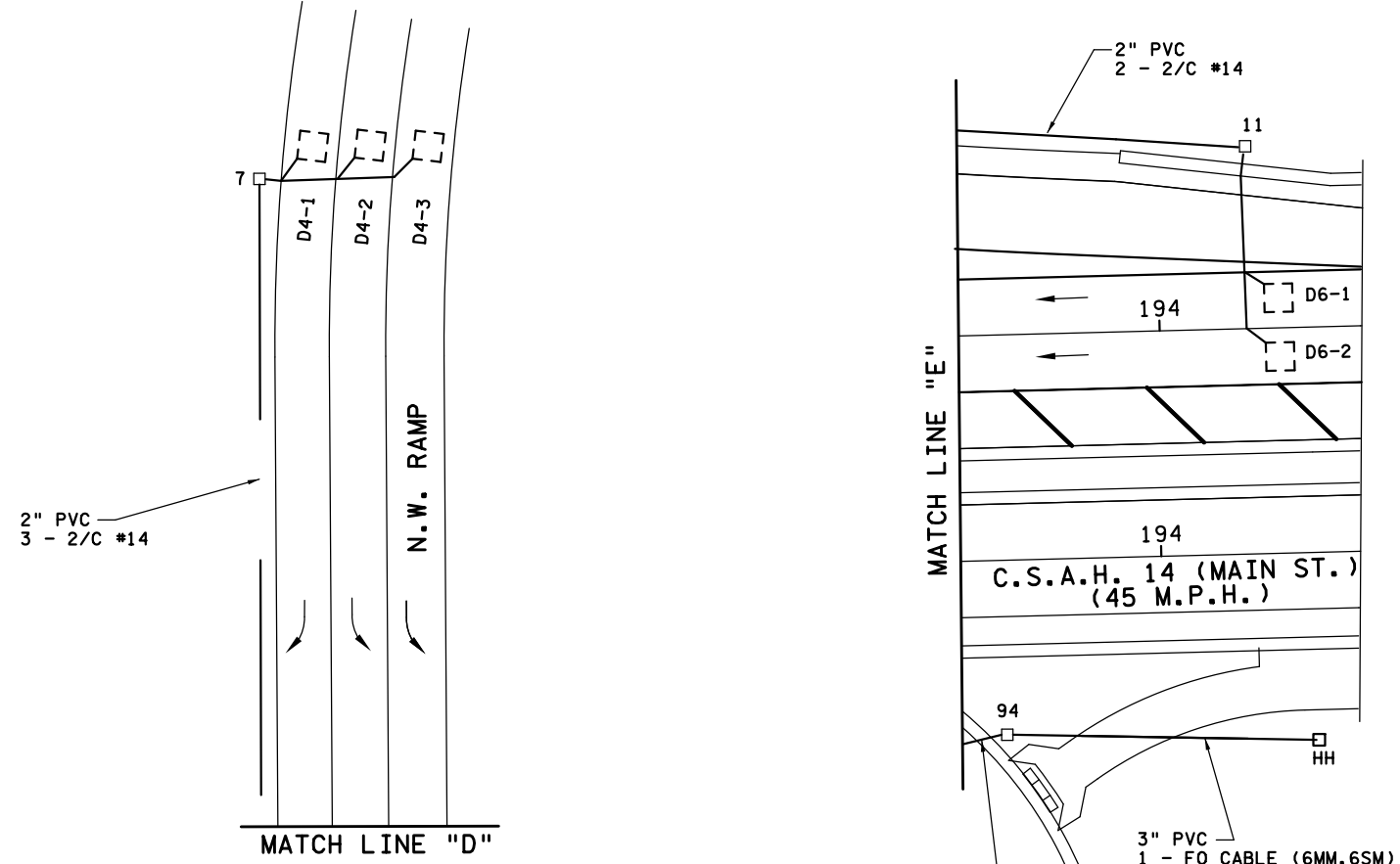
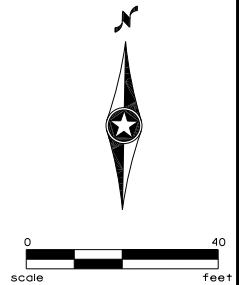
SYSTEM ID: 38822 **1736674** T.E.  
 METER ADDRESS: 2162 MAIN STREET  
 MASTER ID: T.E.

**INTERSECTION LAYOUT**  
 TH 35E @ CSAH 14 (MAIN STREET) W. RAMP  
 IN LINO LAKES, ANOKA COUNTY

S.A.P. NO. \_\_\_\_\_ DRAWN BY: \_\_\_\_\_ CKD BY: \_\_\_\_\_ DATE: \_\_\_\_\_  
 CERTIFIED BY \_\_\_\_\_ LIC. NO. \_\_\_\_\_ DATE: \_\_\_\_\_  
 STATE PROJ. NO. \_\_\_\_\_ (T.H.) SHEET NO. 1 OF 3 SHEETS

DISTRICT #: METRO  
 IPLOT NAME: T38822.sgl  
 PATH & FILENAME: IP\_PWP-d1433444T38822.sgl.dgn

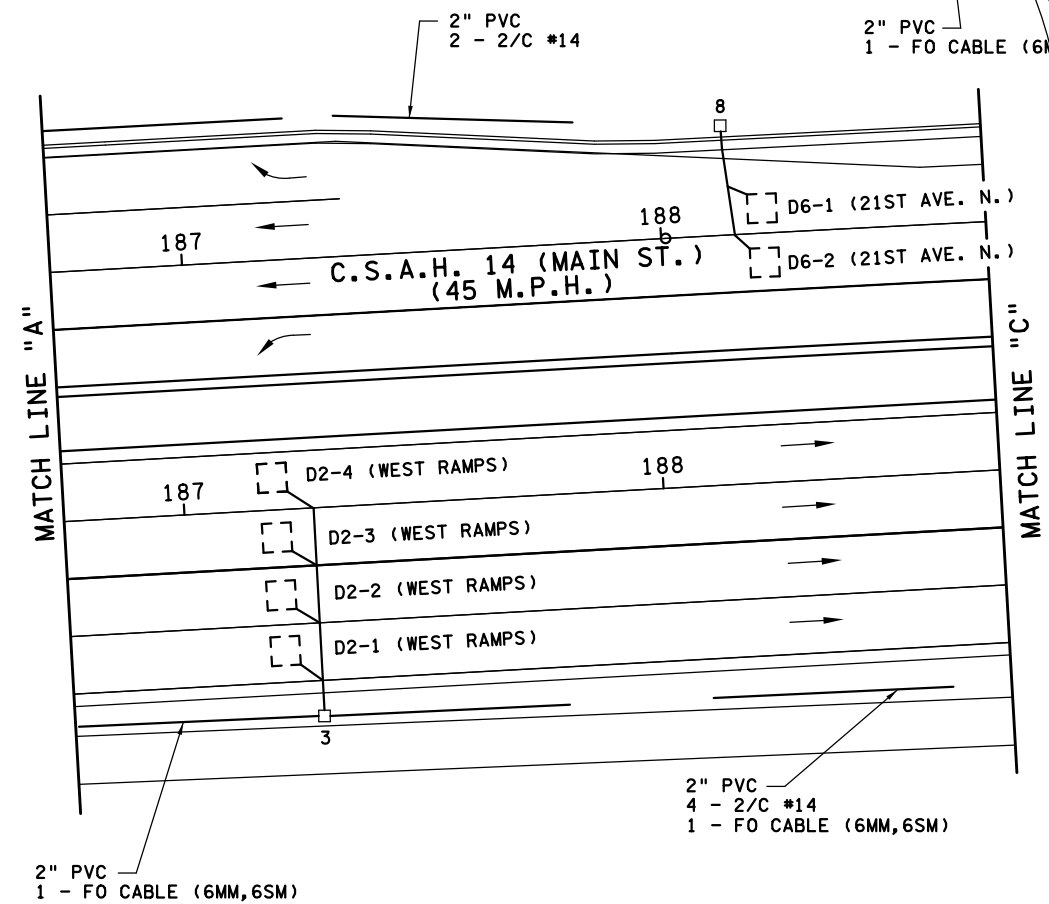
PLOTTED/REVISED: 11/16/2016



- ① PA100 POLE FOUNDATION  
TYPE PA100-A-40-D40-9 (DAVIT AT 350°)  
1 - ANGLE MOUNT SIGNAL OVERHEAD AT 0'  
1 - ANGLE MOUNT SIGNAL AT 180°  
ONE WAY EVP DETECTOR AND  
CONFIRMATORY LIGHT (PHASE 4)  
LUMINAIRE - 250 WATT H.P.S.  
TYPE D SIGN - SEE MAST ARM SIGN DETAILS  
1 - R6-1R SIGN (36x12)  
1 - R6-1L SIGN (36x12)  
1 - R9-3a SIGN (18x18) FACING POLE 2  
EXTEND INTO HH-1:  
3\"/>

- ② PA100 POLE FOUNDATION  
TYPE PA100-A-50-D40-9 (DAVIT AT 350°)  
2 - STRAIGHT MOUNT SIGNALS OVERHEAD AT 12' AND 24'  
1 - ANGLE MOUNT SIGNAL AT 180°  
ONE WAY EVP DETECTOR AND  
CONFIRMATORY LIGHT (PHASE 6)  
LUMINAIRE - 250 WATT H.P.S.  
1 - R6-1R SIGN (36x12)  
1 - R6-1L SIGN (36x12)  
1 - R9-3a SIGN (18x18) FACING POLE 1  
1 - R9-3a SIGN (18x18) FACING EAST  
EXTEND INTO HH-5:  
3\"/>

- ③ PA100 POLE FOUNDATION  
TYPE PA100-A-55-D40-9 (DAVIT AT 350°)  
1 - ANGLE MOUNT SIGNAL OVERHEAD AT 0'  
3 - STRAIGHT MOUNT SIGNALS OVERHEAD  
AT 12', 24' AND 36'  
2 - ANGLE MOUNT SIGNALS AT 90° AND 180°  
ONE WAY EVP DETECTOR AND  
CONFIRMATORY LIGHT (PHASE 2)  
LUMINAIRE - 250 WATT H.P.S.  
TYPE D SIGN - SEE MAST ARM SIGN DETAILS  
1 - R6-1R SIGN (36x12)  
1 - R6-1L SIGN (36x12)  
1 - R9-3a SIGN (18x18) FACING NORTH  
EXTEND INTO HH-13:  
3\"/>



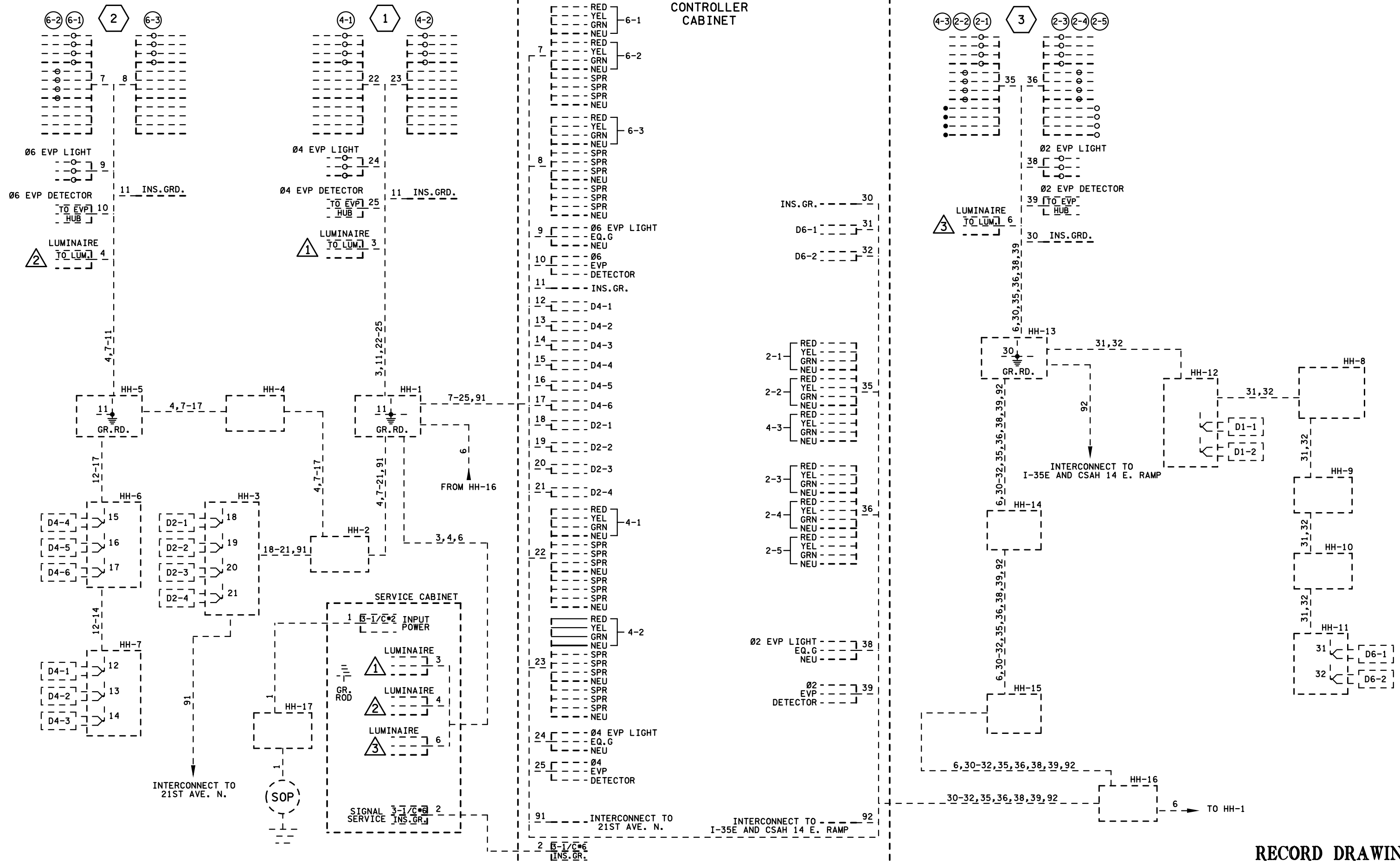
### RECORD DRAWING

BY	DATE	REVISIONS	SYSTEM ID: 38822 <b>1736674</b> T.E.	MATCH LINES AND POLE NOTES	S.A.P. NO.	DRAWN BY:	CKD BY:	DATE:
			METER ADDRESS: 2162 MAIN STREET	TH 35E @ CSAH 14 (MAIN STREET) W. RAMP	CERTIFIED BY _____ LIC. NO. _____ DATE: _____			
			MASTER ID: T.E.	IN LINO LAKES, ANOKA COUNTY	STATE PROJ. NO.	(T.H.)	SHEET NO. 2 OF 3 SHEETS	

DISTRICT #: METRO  
IPLOT NAME: T38822.sgl  
PATH & FILENAME: IP\_PWP-d1433444T38822.sgl.dgn

PLOTTED/REVISED: 11/16/2016

DISTRICT #: METRO  
IPLOT NAME: T38822.sgl2  
PATH & FILENAME: IP\_PWP-d1433444T38822.sgl.dgn



RECORD DRAWING

BY	DATE	REVISIONS

SYSTEM ID: 38822 1736674 T.E.  
 METER ADDRESS: 2162 MAIN STREET  
 MASTER ID: T.E.

**WIRING DIAGRAM**  
 TH 35E @ CSAH 14 (MAIN STREET) W. RAMP  
 IN LINO LAKES, ANOKA COUNTY

S.A.P. NO.	DRAWN BY:	CKD BY:	DATE:
CERTIFIED BY _____	LIC. NO. _____	DATE: _____	
STATE PROJ. NO.	(T.H.)	SHEET NO. 3 OF 3 SHEETS	