

**PVC LOOP DETECTOR CHART**

NUMBER	SIZE (FT)	LOCATION
D1-1	6X6	20'x50'
D1-2	6X6	5'x35'
D2-1	6X6	100'
D6-1	6X6	215'
D8-1	6X6	120'
D8-2	2-6X6	5'x20'
D8-3	2-6X6	5'x20'

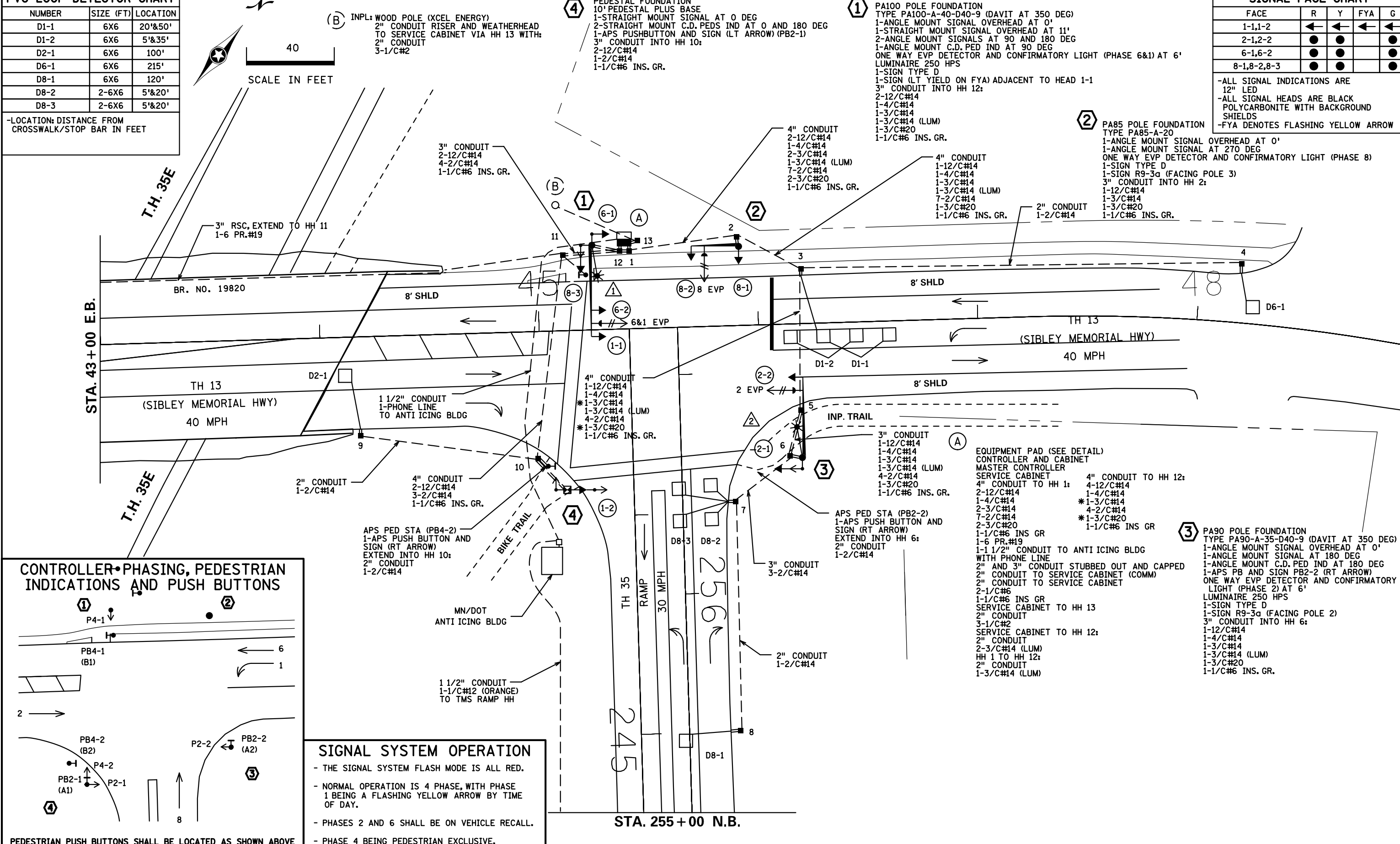
-LOCATION: DISTANCE FROM CROSSWALK/STOP BAR IN FEET

**SIGNAL FACE CHART**

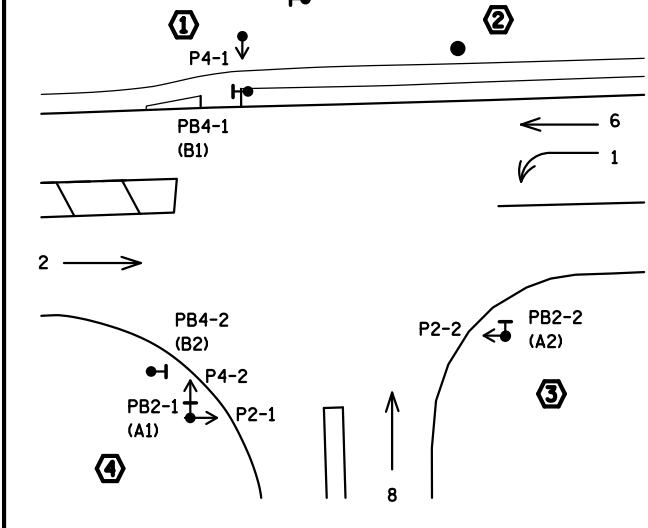
FACE	R	Y	FYA	G
1-1,1-2	←	←	←	←
2-1,2-2	●	●		●
6-1,6-2	●	●		●
8-1,8-2,8-3	●	●		●

-ALL SIGNAL INDICATIONS ARE 12" LED  
 -ALL SIGNAL HEADS ARE BLACK POLYCARBONITE WITH BACKGROUND SHIELDS  
 -FYA DENOTES FLASHING YELLOW ARROW

PLOTTED/REVISED: 2/9/2012



**CONTROLLER PHASING, PEDESTRIAN INDICATIONS AND PUSH BUTTONS**



**SIGNAL SYSTEM OPERATION**

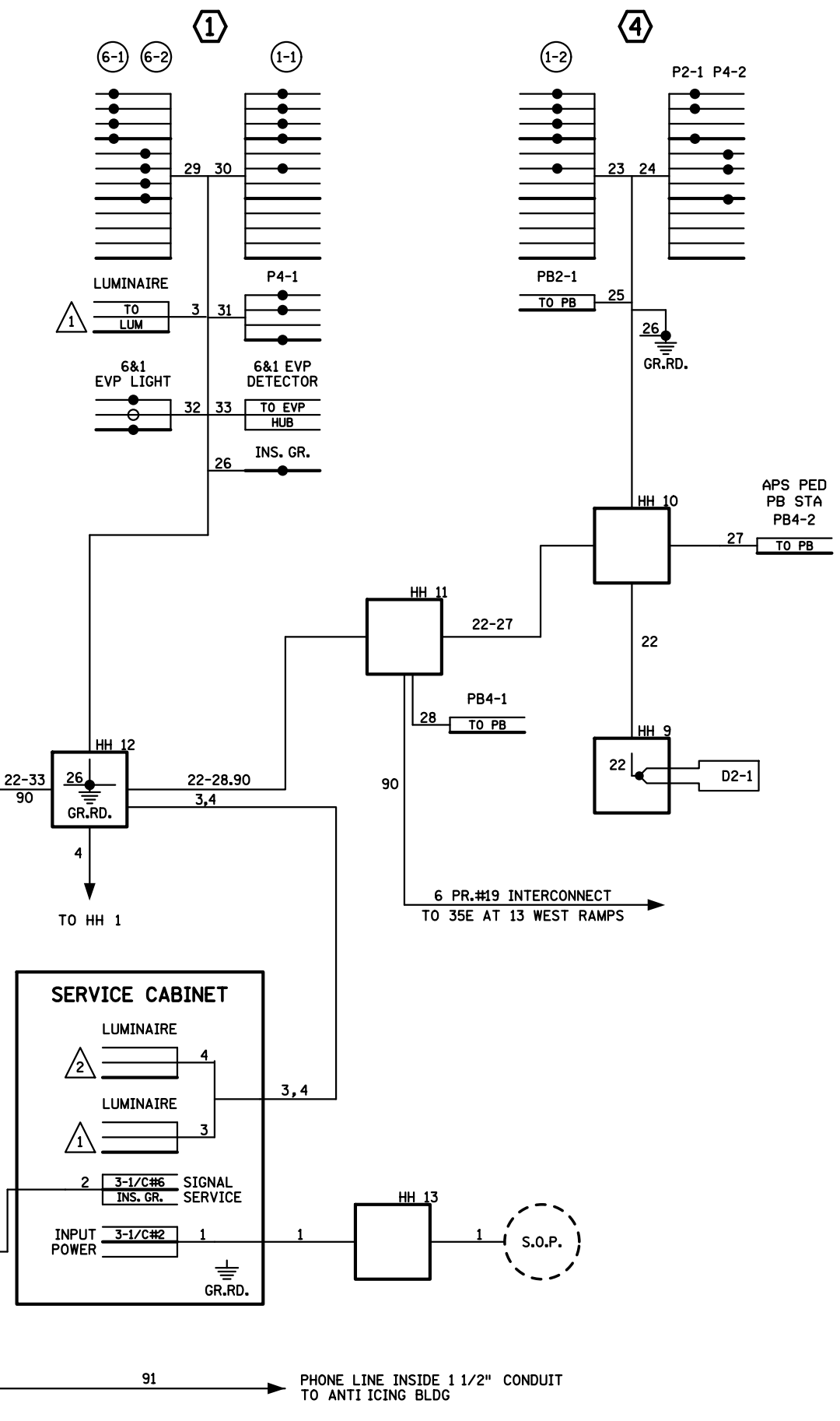
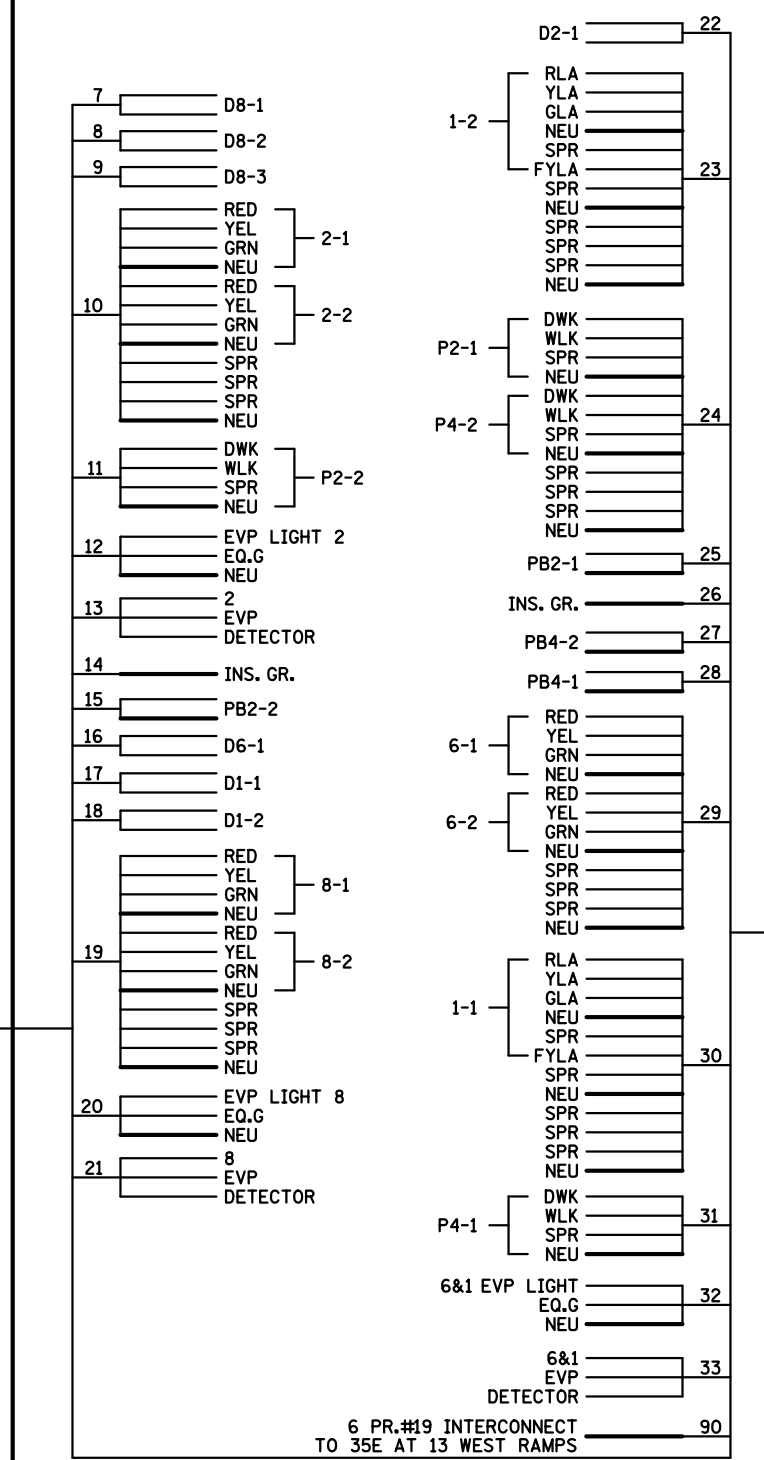
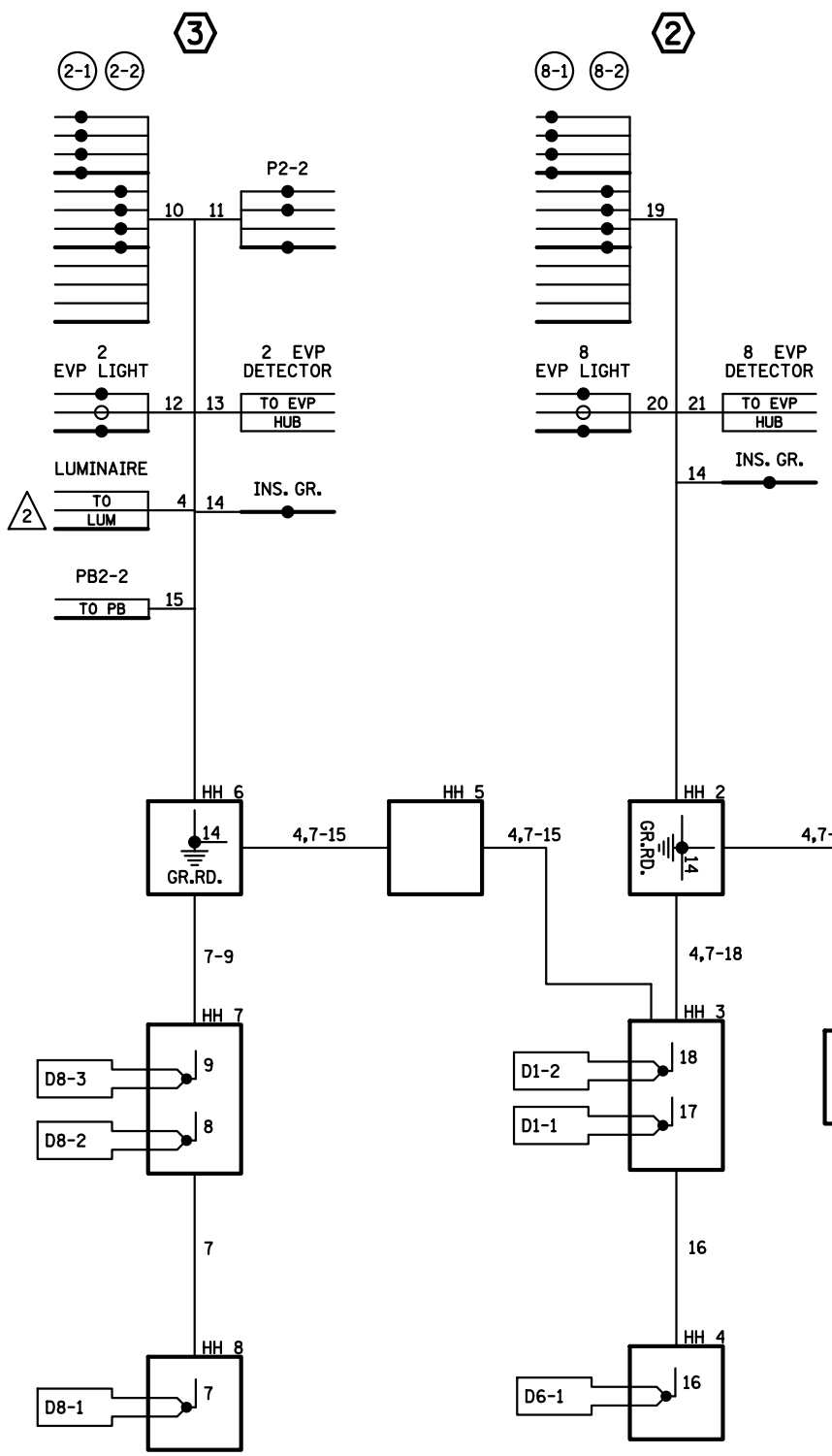
- THE SIGNAL SYSTEM FLASH MODE IS ALL RED.
- NORMAL OPERATION IS 4 PHASE, WITH PHASE 1 BEING A FLASHING YELLOW ARROW BY TIME OF DAY.
- PHASES 2 AND 6 SHALL BE ON VEHICLE RECALL.
- PHASE 4 BEING PEDESTRIAN EXCLUSIVE.

PEDESTRIAN PUSH BUTTONS SHALL BE LOCATED AS SHOWN ABOVE

BY: EJA	DATE: 2-9-12	AS_BUILT OF SP 1902-56	SYSTEM ID: 39257	T.E. 5238	TRAFFIC CONTROL SIGNAL SYSTEM INTERSECTION LAYOUT	S.A.P. NO.	DRAWN BY: SJK	CKD BY: EJA	DATE: 3-15-11
			METER ADDRESS: 949 SIBLEY MEMORIAL HWY		35E AT T.H.13/(SIBLEY MEMORIAL HWY) EAST RAMP	CERTIFIED BY: <i>Michael P. Gelbrich</i>			
			MASTER ID: 39265	T.E. 5285	IN LILLYDALE AND MENDOTA HEIGHTS, DAKOTA COUNTY	LICENSED PROFESSIONAL ENGINEER	LIC. NO. 19863		DATE: 3-15-11
						STATE PROJ. NO. 1902-56 (T.H.13) SHEET NO. SS12R OF SS16 SHEETS			

DISTRICT #: METRO  
 IPLOT NAME: system\_B\_Layout  
 PATH & FILENAME: IP\_PWP-d1343553\T39257\_sgl.dgn

# CONTROLLER CABINET



- NOTES:**
1. LUMINAIRES ARE UNMETERED.
  2. SIGNAL SYSTEM INCLUDES BATTERY- BACKUP SERVICE CABINET (NO BATTERIES).
  3. FOR CONDUCTOR COLOR CODE SEE TRAFFIC SIGNAL POLE WIRING CONNECTOR DETAIL.

MASTER  
CONTROLLER  
(ID# 39265)

DISTRICT #: METRO  
 IPLOT NAME: system\_B\_wiring\_diagram  
 PATH & FILENAME: IP\_PWP-d1343553T39257\_sgl.dgn

PLOTTED/REVISED: 2/9/2012

BY	DATE	REVISIONS	SYSTEM ID: 39257	T.E. 5238	<b>TRAFFIC CONTROL SIGNAL SYSTEM "B"</b>	S.A.P. NO.	DRAWN BY: SJK	CKD BY: EJA	DATE: 3-15-11	
EJA	2-9-12	AS_BUILT OF SP 1902-56	METER ADDRESS: 949 SIBLEY MEMORIAL HWY		<b>FIELD WIRING DIAGRAM</b>	CERTIFIED BY: <i>Michael P. Gubinsky</i>			DATE: 3-15-11	
			MASTER ID: 39265	T.E. 5285	<b>35E AT T.H.13/(SIBLEY MEMORIAL HWY) EAST RAMP IN LILLYDALE AND MENDOTA HEIGHTS, DAKOTA COUNTY</b>	LICENSED PROFESSIONAL ENGINEER				
						STATE PROJ. NO. 1902-56 (T.H.13)	SHEET NO. SS14R OF SS16 SHEETS			

PLOTTED/REVISED: 2/9/2012

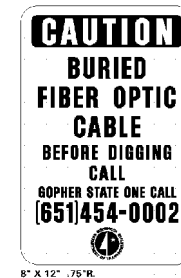
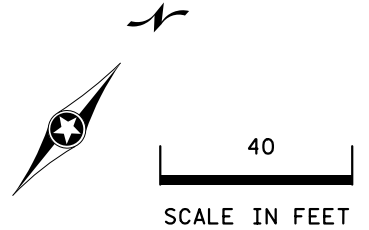
DISTRICT #: METRO  
IPLOT NAME: system\_B\_Matchline  
PATH & FILENAME: IP\_PWP-d\343553\T39257\_sgl.dgn

T.H. 35E

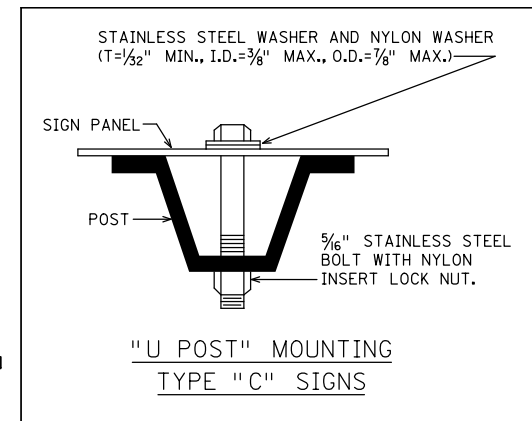
STA. 255+00 N.B.

1 1/2" CONDUIT  
1-1/C#12 (ORANGE)  
TO TMS RAMP  
METER HH

INP.TMS RAMP METER  
HANDHOLE



▲ = F&I BURIED CABLE SIGN



BY	DATE	REVISIONS

SYSTEM ID: 39257	T.E. 5238
METER ADDRESS: 949 SIBLEY MEMORIAL HWY	
MASTER ID: 39265	T.E. 5285

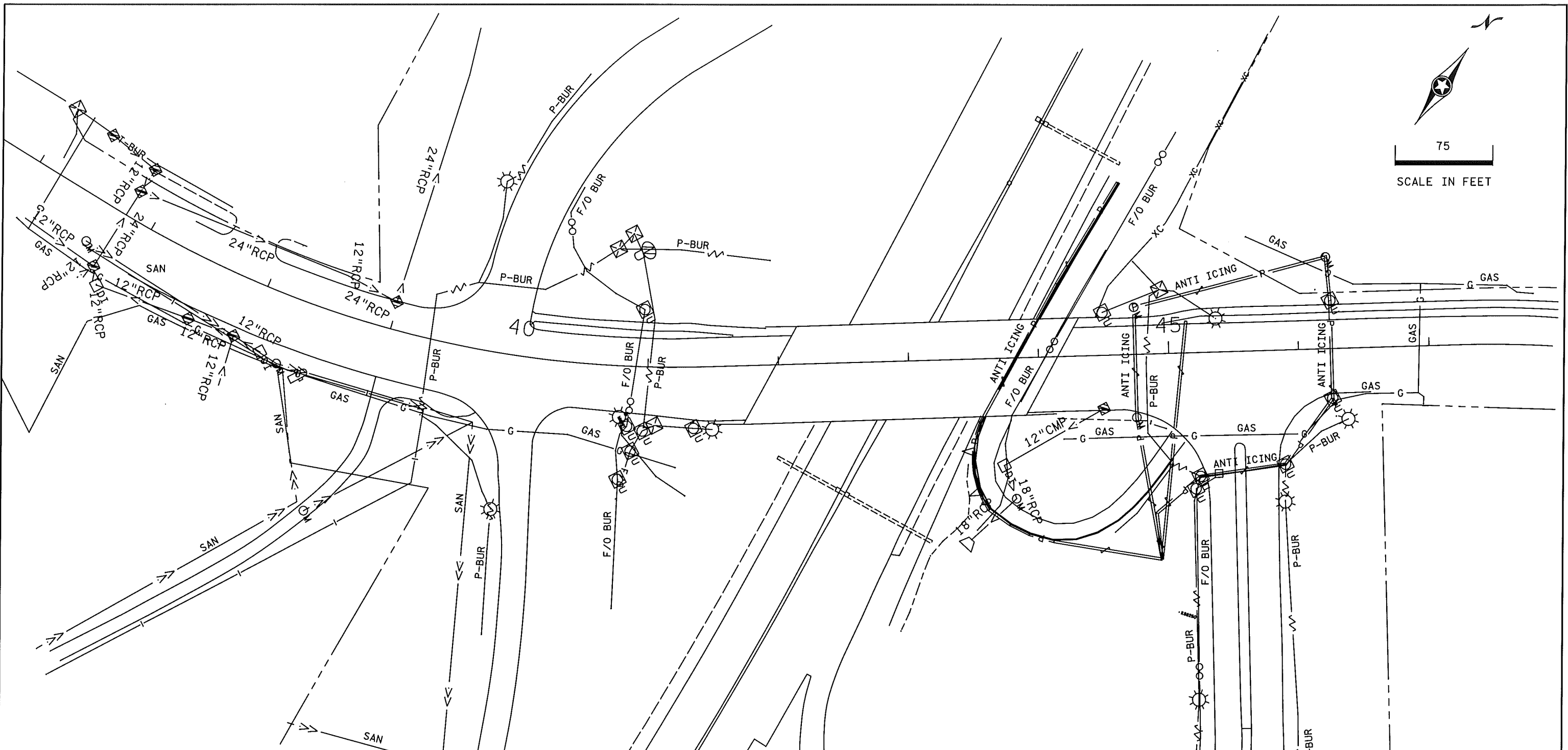
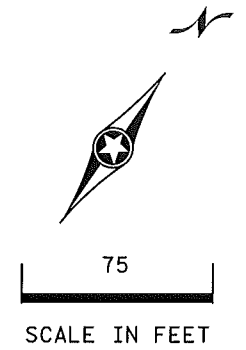
TRAFFIC CONTROL SIGNAL SYSTEM "B"  
MATCH LINE  
35E AT T.H.13/(SIBLEY MEMORIAL HWY) EAST RAMP  
IN LILLYDALE AND MENDOTA HEIGHTS, DAKOTA COUNTY

S.A.P. NO. \_\_\_\_\_  
CERTIFIED BY *Michael P. Gelinsky*  
STATE PROJ. NO. 1902-56 (T.H.13)

DRAWN BY: SJK CKD BY: EJA DATE: 11-10-10  
LIC. NO. 19863 DATE: 11-22-10  
SHEET NO. SS13 OF SS16 SHEETS

PLOTTED/REVISED: 8/4/2011

DISTRICT #: METRO  
 IPLOT NAME: utilities\_layout  
 PATH & FILENAME: IP\_PWP-dl343553\utilities\_sgl.dgn



UTILITY OWNERSHIP	
F/O-BUR	MN/DOT
P-BUR	MN/DOT
ANTI ICING	MN/DOT
T-BUR	QWEST CORPORATION
GAS	XCEL ENERGY
WATER	ST. PAUL REGIONAL WATER SERVICES
SANITARY	CITY OF MENDOTA HEIGHTS

- NOTES:
- IT SHALL BE THE CONTRACTOR'S RESPONSIBILITY TO UTILIZE THE "ONE CALL EXCAVATION NOTICE SYSTEM" (TELEPHONE NUMBER 651-454-0002). THIS IS REQUIRED BY MINNESOTA STATUTE 2160.
  - FOR PLAN AND UTILITY SYMBOLS, SEE TECHNICAL MANUAL.
  - NO UTILITIES WILL BE AFFECTED BY THIS PROJECT.
  - THE SUBSURFACE UTILITY INFORMATION IN THIS PLAN IS UTILITY QUALITY LEVEL D. THIS UTILITY LEVEL WAS DETERMINED ACCORDING TO THE GUIDELINES OF CI/ASCE 38-02, ENTITLED "STANDARD GUIDELINES FOR THE COLLECTION AND DEPICTION OF EXISTING SUBSURFACE UTILITY DATA".

BY	DATE	REVISIONS

SYSTEM ID: 39257,39258 T.E. 5238,5239  
 METER ADDRESS:  
 MASTER ID: T.E.

UTILITIES LAYOUT  
 35E AT T.H.13/(SIBLEY MEMORIAL HWY) RAMPS  
 IN LILLYDALE AND MENDOTA HEIGHTS,  
 DAKOTA COUNTY

S.A.P. NO. \_\_\_\_\_  
 DRAWN BY: SJK CKD BY: EJA DATE: 12-03-10  
 CERTIFIED BY: *Michael P. Sulovsky* LIC. NO. 19863 DATE: 12-03-10  
 LICENSED PROFESSIONAL ENGINEER  
 STATE PROJ. NO. 1902-56 (T.H.13) SHEET NO. SS16 OF SS16 SHEETS