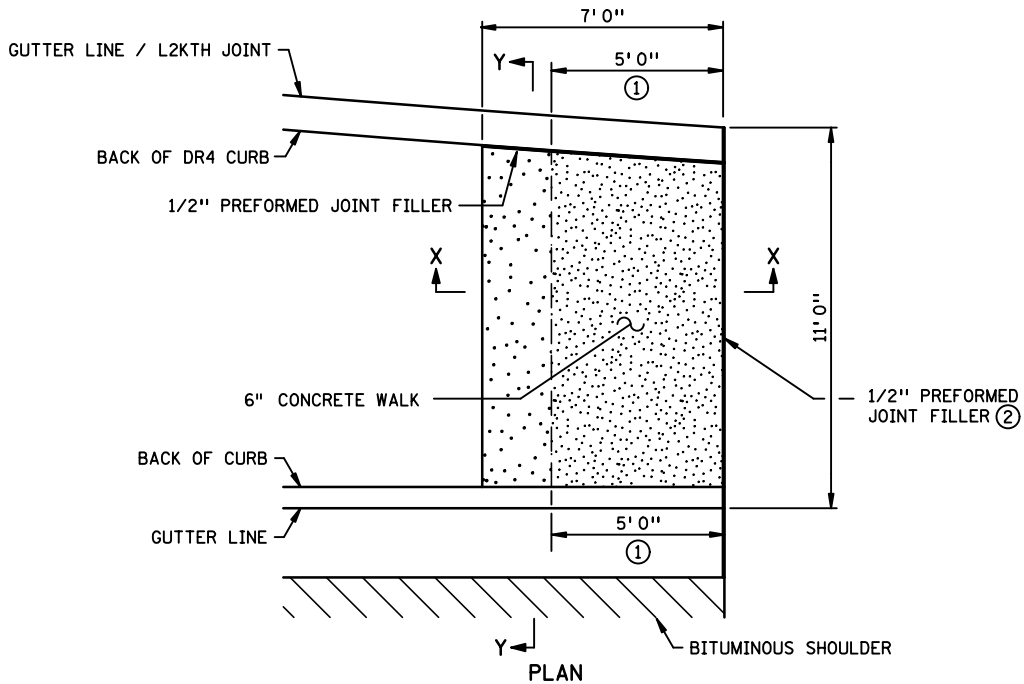
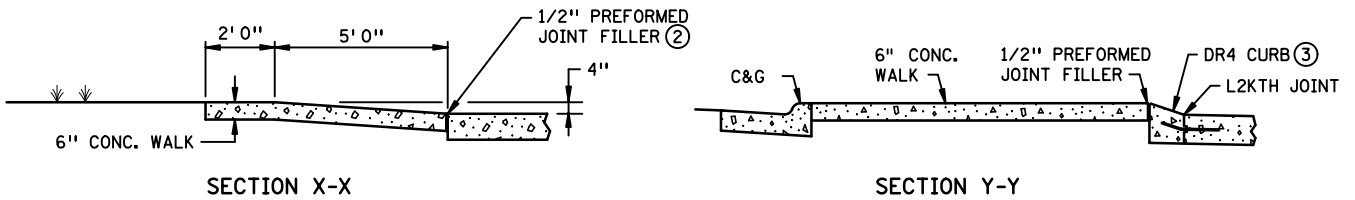


PLAN VIEW



PLAN



EXIT NOSE DETAILS

NOTES:

- ① WHEN CONSTRUCTING CURB, TRANSITION FROM NOMINAL TO 0" HEIGHT.
- ② USE PREFORMED JOINT FILLER ONLY IF AREA IN FRONT OF NOSE IS CONC.
- ③ D424 C&G WHEN RAMP PAVEMENT IS BITUMINOUS.
- ④ INTEGRANT CURB WHEN SHOULDER IS CONCRETE.

APPROVED JULY 25, 2011

M. J. [Signature]
STATE DESIGN ENGINEER

STATE OF MINNESOTA
DEPARTMENT OF TRANSPORTATION

EXIT NOSE
(URBAN DESIGN)

SPECIFICATION
REFERENCE

2521
2531

STANDARD
PLATE
NO.

7108G