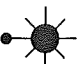
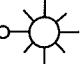


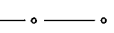
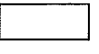
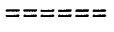
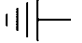

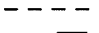

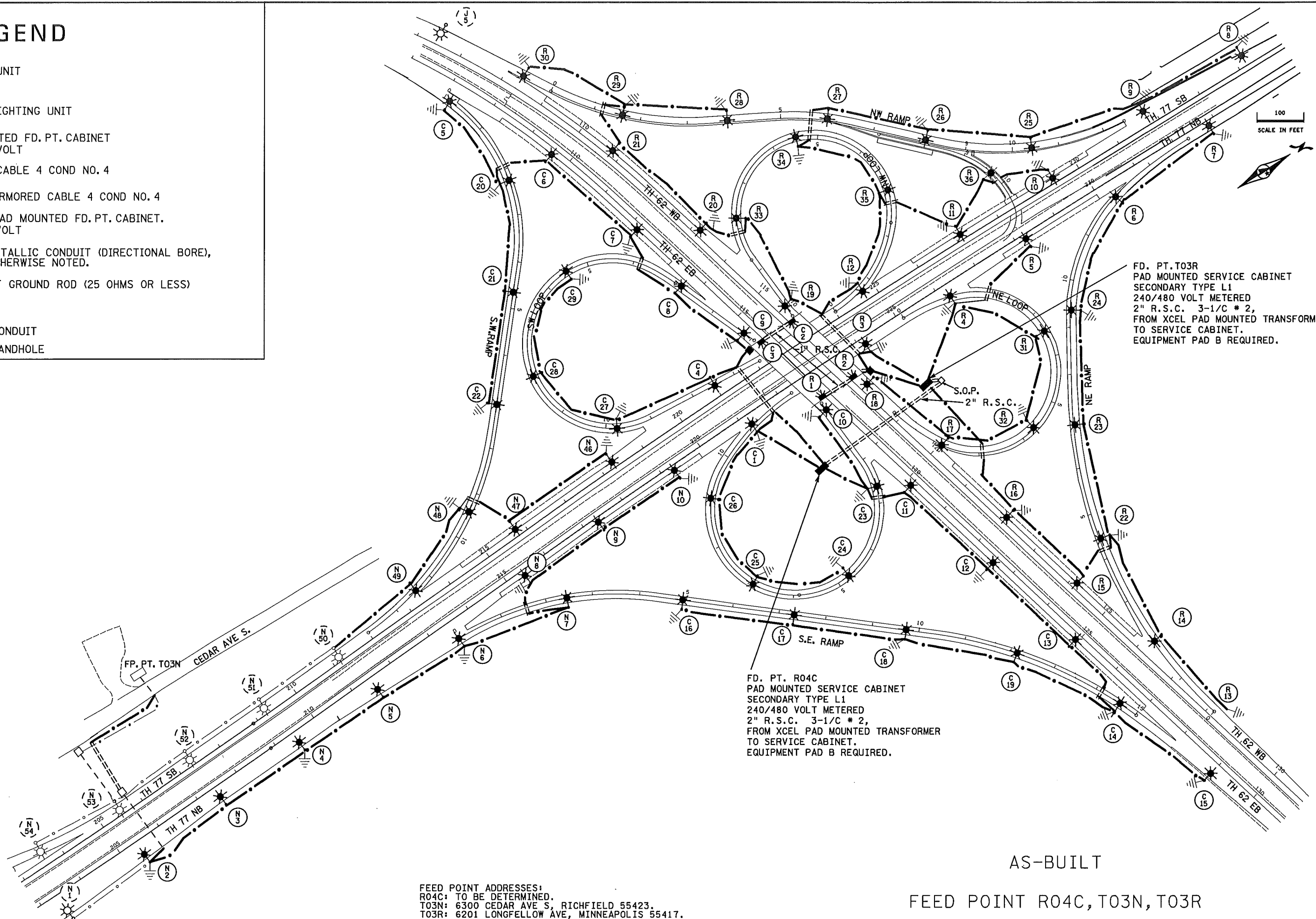


LEGEND

-  LIGHTING UNIT
-  INPLACE LIGHTING UNIT
-  PAD MOUNTED FD. PT. CABINET
240/480 VOLT
-  ARMORED CABLE 4 COND NO. 4
-  INPLACE ARMORED CABLE 4 COND NO. 4
-  INPLACE PAD MOUNTED FD. PT. CABINET.
240/480 VOLT
-  3" NON-METALLIC CONDUIT (DIRECTIONAL BORE),
UNLESS OTHERWISE NOTED.
-  PERMANENT GROUND ROD (25 OHMS OR LESS)
-  HANDHOLE
-  INPLACE CONDUIT
-  INPLACE HANDHOLE

PLOTTED/REVISED: 6/8/2011



FD. PT. T03R
PAD MOUNTED SERVICE CABINET
SECONDARY TYPE L1
240/480 VOLT METERED
2" R.S.C. 3-1/2" # 2,
FROM XCEL PAD MOUNTED TRANSFORMER
TO SERVICE CABINET.
EQUIPMENT PAD B REQUIRED.

FD. PT. R04C
PAD MOUNTED SERVICE CABINET
SECONDARY TYPE L1
240/480 VOLT METERED
2" R.S.C. 3-1/2" # 2,
FROM XCEL PAD MOUNTED TRANSFORMER
TO SERVICE CABINET.
EQUIPMENT PAD B REQUIRED.

DISTRICT #: METRO
PLOT NAME: 12775-14g
PATH & FILENAME: IP_PWP-d1203486v2775-14a.dgn

AS-BUILT

FEED POINT R04C, T03N, T03R

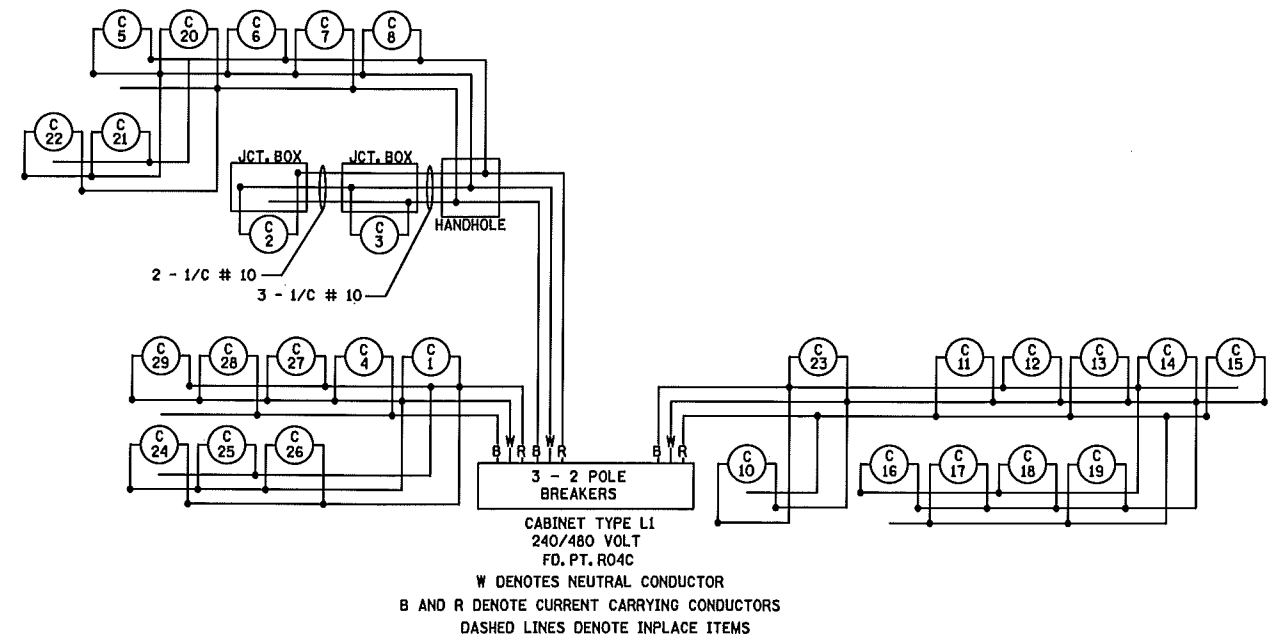
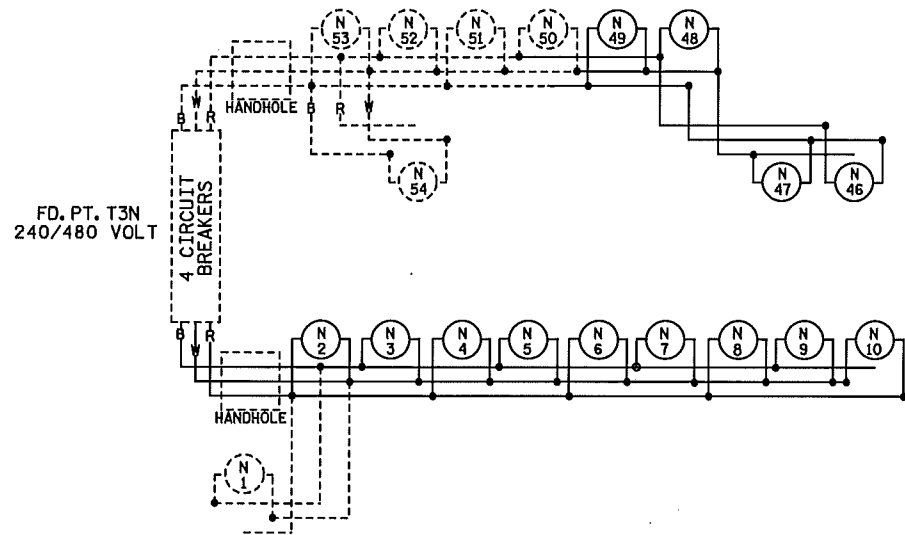
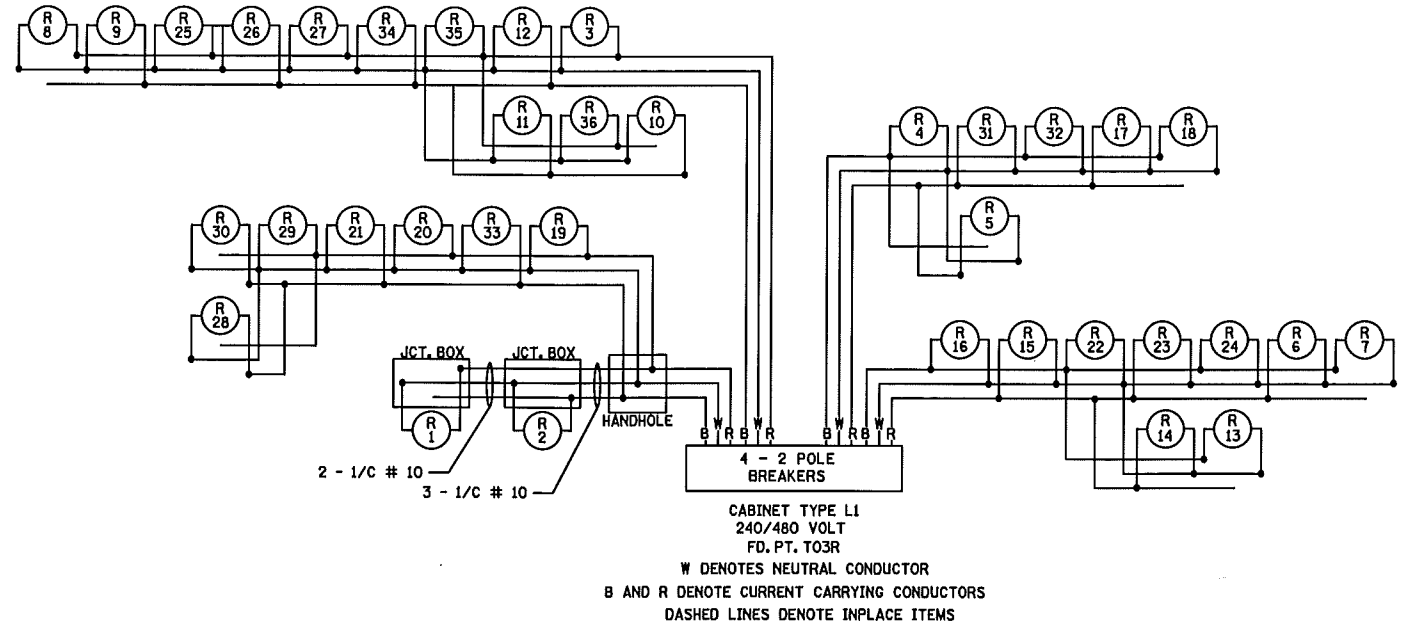
FEED POINT ADDRESSES:
R04C: TO BE DETERMINED.
T03N: 6300 CEDAR AVE S, RICHFIELD 55423.
T03R: 6201 LONGFELLOW AVE, MINNEAPOLIS 55417.

BY	DATE	REVISIONS	FEEDPOINT: T03N, T03R, R04C	LOCATION: T.H. 62	LIGHTING PLAN
PB	11/8/2010	ADD POLE 8, RENUMBER POLES ON FD. PT. T3R	METER ADDRESS:		
PB	6/8/2011	CHANGE HOME RUN TO T3N 2			
DRAWN BY: PB CKD BY: GB DATE:			CERTIFIED BY: <i>Michael P. Subensky</i>	LIC. NO. 19863 DATE: 6/8/2011	STATE PROJ. NO. 2775-14 (T.H. 62) SHEET NO. 6 OF 8 SHEETS

PLOTTED/REVISED: 6/8/2011

FEEDPOINT T03N
LIGHTING STANDARDS AND BASES

NO.	STATION	LT.	RT.	LOCATION	TYPE	WATT
2	205 + 40		X	N.B. T.H. 77	9-40	250
3	207 + 45		X	N.B. T.H. 77	9-40	250
4	209 + 45		X	N.B. T.H. 77	9-40	250
5	211 + 45		X	N.B. T.H. 77	9-40	250
6	213 + 50		X	N.B. T.H. 77	9-40	250
7	2 + 45		X	S.E. RAMP	9-40	250
8	215 + 40		X	N.B. T.H. 77	9-40	250
9	217 + 30		X	N.B. T.H. 77	9-40	250
10	219 + 25		X	N.B. T.H. 77	9-40	250
46	218 + 30	X		S.B. T.H. 77	9-40	250
47	215 + 80	X		S.B. T.H. 77	9-40	250
48	9 + 40		X	S.W. RAMP	9-40	250
49	213 + 35	X		S.B. T.H. 77	9-40	250



AS-BUILT
FEED POINT R04C, T03N, T03R

LIGHTING PLAN

BY	DATE	REVISIONS	FEEDPOINT: T03N, T03R, R04C	LOCATION: T.H. 62	STATE PROJ. NO. 2775-14 (T.H. 62)	SHEET NO. 7 OF 8 SHEETS
PB	11/8/2010	UPDATE POLE NUMBERS FOR T3R	METER ADDRESS:			
PB	6/7/2011	MAKE CORRECTIONS TO DIAGRAM FOR T3N				
DRAWN BY:	PB	CKD BY:	GB	DATE:		
			CERTIFIED BY: <i>Michael P. Selinsky</i>	LIC. NO. 19863	DATE: 6/8/2011	

DISTRICT #: METRO
PLOT NAME: 12775-14g
PATH & FILENAME: IP_PWP-d1203486V2T75-14a.dgn

PLOTTED/REVISED: 4/14/2011

FEEDPOINT T03R
LIGHTING STANDARDS AND BASES

NO.	STATION	LT.	RT.	LOCATION	TYPE	WATT
1	222 + 75		X	N.B. T.H. 77	L	250
2	223 + 55		X	N.B. T.H. 77	L	250
3	224 + 15		X	N.B. T.H. 77	9-40	250
4	226 + 20		X	N.B. T.H. 77	9-40	250
5	228 + 20		X	N.B. T.H. 77	9-40	250
6	12 + 00		X	N.E. RAMP	9-40	250
7	232 + 85		X	N.B. T.H. 77	9-40	250
8	234 + 20	X		S.B. T.H. 77	9-40	250
9	231 + 80	X		S.B. T.H. 77	9-40	250
10		X		S.B. T.H. 77	9-40	250
11	227 + 10	X		S.B. T.H. 77	9-40	250
12	224 + 75	X		W.B. T.H. 62	9-40	250
13	128 + 30	X		W.B. T.H. 62	9-40	250
14	126 + 20	X		W.B. T.H. 62	9-40	250
15	124 + 15	X		W.B. T.H. 62	9-40	250
16	122 + 10	X		W.B. T.H. 62	9-40	250
17	120 + 05	X		W.B. T.H. 62	9-40	250
18	118 + 00	X		W.B. T.H. 62	9-40	250
19	115 + 60	X		W.B. T.H. 62	9-40	250
20	113 + 15	X		W.B. T.H. 62	9-40	250
21	110 + 80	X		N.E. RAMP	9-40	250
22	4 + 45	X		N.E. RAMP	9-40	250
23	6 + 90	X		N.E. RAMP	9-40	250
24	9 + 35	X		N.W. RAMP	9-40	250
25	10 + 40	X		N.W. RAMP	9-40	250
26	8 + 10	X		N.W. RAMP	9-40	250
27	6 + 00	X		N.W. RAMP	9-40	250
28	3 + 85	X		N.W. RAMP	9-40	250
29	1 + 60	X		N.W. RAMP	9-40	250
30	108 + 35	X		N.E. LOOP	9-40	250
31	3 + 40		X	N.E. LOOP	9-40	250
32	5 + 65		X	N.W. LOOP	9-40	250
33	7 + 75	X		N.W. LOOP	9-40	250
34	5 + 45	X		N.W. LOOP	9-40	250
35	3 + 00	X		NW LOOP	9-40	250
36	9 + 65	X		BUS RAMP	9-40	250

FEEDPOINT R04C
LIGHTING STANDARDS AND BASES

NO.	STATION	LT.	RT.	LOCATION	TYPE	WATT
1	221 + 20		X	N.B. T.H. 77	9-40	250
2	223 + 10	X		S.B. T.H. 77	L	250
3	222 + 35	X		S.B. T.H. 77	L	250
4	221 + 00	X		S.B. T.H. 77	9-40	250
5	107 + 15		X	E.B. T.H. 62	9-40	250
6	109 + 60		X	E.B. T.H. 62	9-40	250
7	112 + 20		X	E.B. T.H. 62	9-40	250
8	113 + 70		X	E.B. T.H. 62	9-40	250
9	115 + 35		X	E.B. T.H. 62	9-40	250
10	117 + 75		X	E.B. T.H. 62	9-40	250
11	120 + 15		X	E.B. T.H. 62	9-40	250
12	122 + 55		X	E.B. T.H. 62	9-40	250
13	124 + 95		X	E.B. T.H. 62	9-40	250
14	114 + 60		X	S.E. RAMP	9-40	250
15	129 + 00		X	E.B. T.H. 62	9-40	250
16	4 + 90		X	S.E. RAMP	9-40	250
17	7 + 30		X	S.E. RAMP	9-40	250
18	9 + 70		X	S.E. RAMP	9-40	250
19	12 + 15		X	S.E. RAMP	9-40	250
20	2 + 25		X	S.W. RAMP	9-40	250
21	4 + 65		X	S.W. RAMP	9-40	250
22	7 + 05		X	S.W. RAMP	9-40	250
23	2 + 65		X	S.E. LOOP	9-40	250
24	4 + 75		X	S.E. LOOP	9-40	250
25	6 + 90		X	S.E. LOOP	9-40	250
26	9 + 05		X	S.E. LOOP	9-40	250
27	10 + 25	X		S.W. LOOP	9-40	250
28	8 + 00	X		S.W. LOOP	9-40	250
29	5 + 45	X		S.W. LOOP	9-40	250

DISTRICT #: METRO
IPLOT NAME: 12775-14s18
PATH & FILENAME: IP_PWP-d1203486v2775-14addgn

FEED POINT R04C, T03N, T03R

BY	DATE	REVISIONS	FEEDPOINT: T03N, T03R, R04C	LOCATION: T.H. 62	LIGHTING PLAN
PB	4-14-2011	REVISE CHART FOR FP T03R	METER ADDRESS:		
DRAWN BY: PB CKD BY: GB DATE:			CERTIFIED BY: <u>Michael P. Lubinsky</u> LIC. NO. <u>19863</u> DATE: <u>4/14/2011</u>		STATE PROJ. NO. 2775-14 (T.H. 62) SHEET NO. 8 OF 8 SHEETS