

LOOP DETECTOR CHART

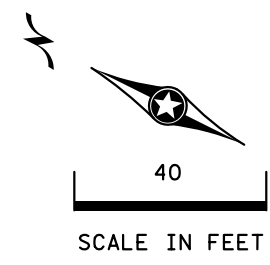
NUMBER	SIZE (FT)	LOCATION
D2-1, D2-2	6x6	340
D4-1, D4-2, D4-3	6x6	245
D4-4	6x15	-3
D4-5, D4-6	6x6	10
D6-1, D6-2	6x6	290

-ALL LOOP DETECTORS ARE PVC
-LOCATION: DISTANCE FROM CROSSWALK/STOP BAR IN FEET

SIGNAL HEAD CHART

FACE	R	Y	G
2-1, 2-2	○	○	○
4-1, 4-2, 4-3	○	○	○
6-1, 6-2, 6-3	○	○	○

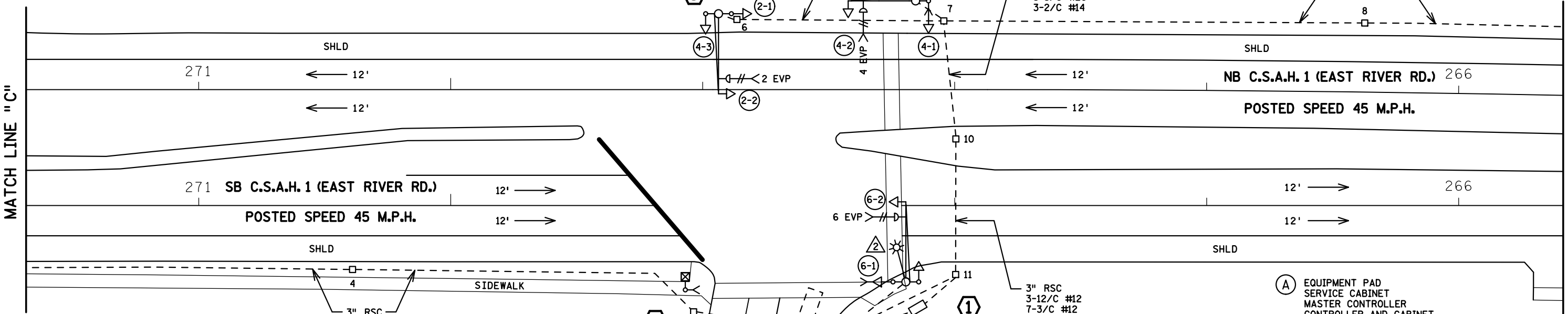
-ALL SIGNAL INDICATIONS ARE 12" LED
-ALL SIGNAL HEADS HAVE BACKGROUND SHIELDS



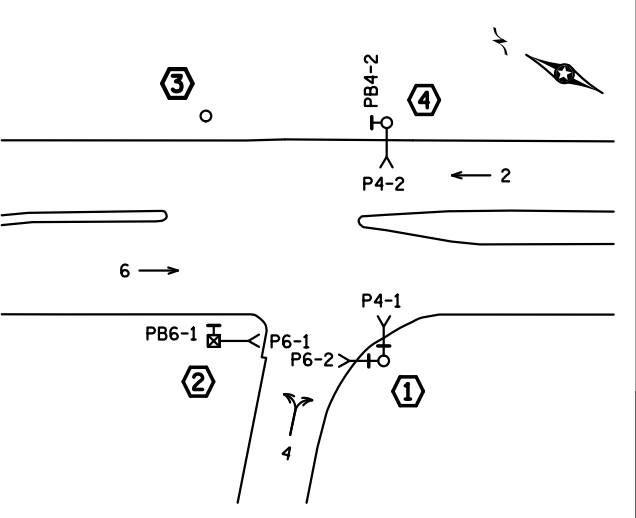
PLOTTED/REVISED: 5/30/2014

3 P90 POLE FOUNDATION
TYPE P90-A-30
ONE-WAY SIGNAL OVERHEAD
TYPE 10A POLE MOUNTED 90 DEG
TYPE 10A POLE MOUNTED 270 DEG
1-ONE WAY EVP DETECTOR AND CONFIRMATORY LIGHT (PHASE 2)
1-R9-3 SIGN (NO PEDS) FACING POLE 3
1-TYPE D SIGN
EXTEND INTO HH 6:
3" RSC
2-12/C #12
2-3/C #12
1-3/C #20

4 P85 POLE FOUNDATION
TYPE P85-A-25
ONE-WAY SIGNAL OVERHEAD
TYPE 10A POLE MOUNTED 90 DEG
TYPE 10B POLE MOUNTED 180 DEG
1-ONE WAY EVP DETECTOR AND CONFIRMATORY LIGHT (PHASE 4)
1-PED PB AND SIGN
EXTEND INTO HH 7:
3" RSC
1-12/C #12
5-3/C #12
1-3/C #12 (LUM)
2-3/C #20



CONTROLLER PHASING, PEDESTRIAN INDICATIONS AND PUSH BUTTONS



SIGNAL SYSTEM OPERATION

- THE SIGNAL SYSTEM FLASH MODE IS ALL RED.
- NORMAL OPERATION IS 3 PHASE.
- PHASES 2 AND 6 SHALL BE ON VEHICLE RECALL.

PEDESTRIAN PUSH BUTTONS SHALL BE LOCATED AS SHOWN ABOVE

2 PEDESTAL FOUNDATION
PEDESTAL POLE PLUS BASE
TYPE 4C
1-PED PB AND SIGN
1-R9-3 SIGN (NO PEDS)
FACING POLE 1
EXTEND INTO HH 3:
3" RSC
1-12/C #12
1-3/C #12

1 P90 POLE FOUNDATION
TYPE P90-A-30-D40-9 (DAVIT AT 355 DEG)
ONE-WAY SIGNAL OVERHEAD
TYPE 30A POLE MOUNTED 90 DEG
TYPE 10B POLE MOUNTED 270 DEG
1-ONE WAY EVP DETECTOR AND CONFIRMATORY LIGHT (PHASE 6)
LUMINAIRE-200W HPS W/ PEC AND CHECK SWITCH
2-PED PB'S AND SIGNS
1-R6-1L SIGN (ONE WAY)
EXTEND INTO HH 1:
3" RSC
2-12/C #12
2-3/C #12
1-3/C #12 (LUM)
1-3/C #20

A EQUIPMENT PAD
SERVICE CABINET
MASTER CONTROLLER
CONTROLLER AND CABINET
4" RSC TO HH 1: 4" RSC TO HH 11:
3-12/C #12 3-12/C #12
3-3/C #12 7-3/C #12
8-2/C #14 3-2/C #14
1-3/C #20 3-3/C #20
1-6PR #19

3" RSC STUB OUT IN HH 12 (THREADED AND CAPPED)
SERVICE CABINET TO 120/240 VOLT TRANSFORMER:
3" RSC
3-1/C #1/0
1-1/C #6 BR. GR.
SERVICE CABINET TO HH 12 (IN EQUIPMENT PAD):
3" RSC
2-3/C #12 (LUM)
2-1/C #6
1-1/C #6 BR. GR.
HH 12 TO HH 1:
3" RSC
2-3/C #12 (LUM)
HH 1 TO HH 11:
1 1/4" RSC
2-3/C #12 (LUM)
CIRCUIT BREAKER CABINET TO HH 1:
3" RSC
2-1/C #4
1-1/C #6 BR. GR.

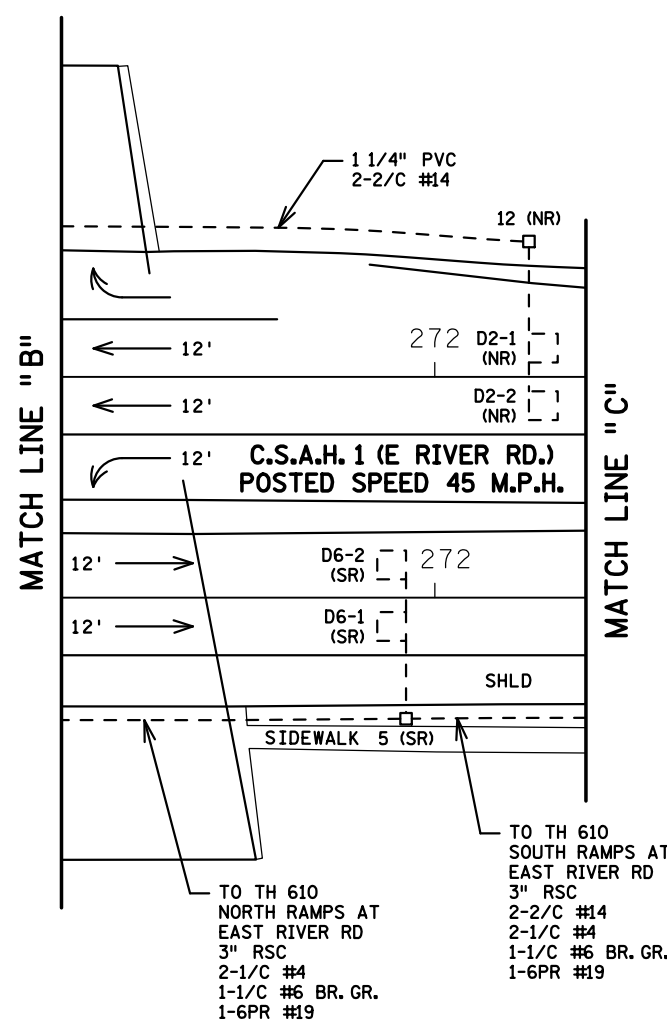
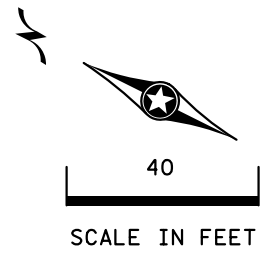
DISTRICT #: METRO
IPLOT NAME: layout
PATH & FILENAME: IP_PWP-d0783399\T21728_sgl.dgn

BY	DATE	REVISIONS
GDS	05-30-14	AS BUILT OF SP 0217-16

SYSTEM ID: 21728 T.E.
METER ADDRESS: 9200 EAST RIVER RD.
MASTER ID: T.E.

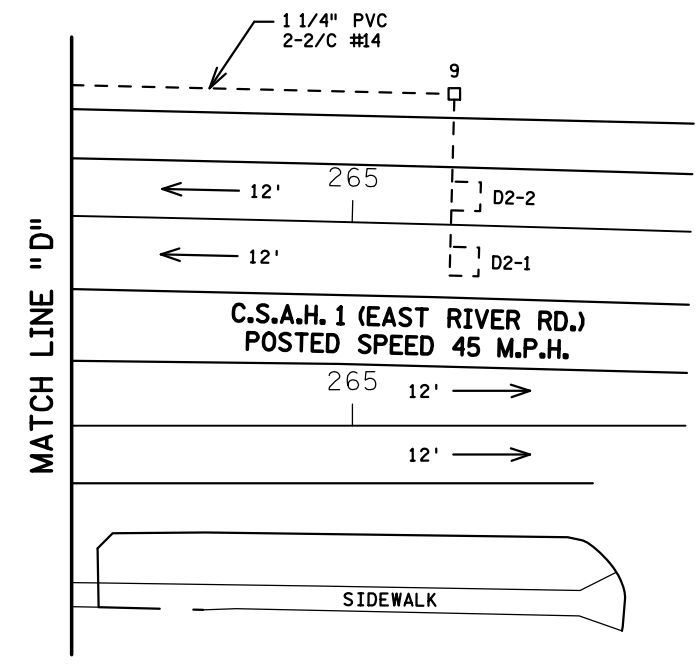
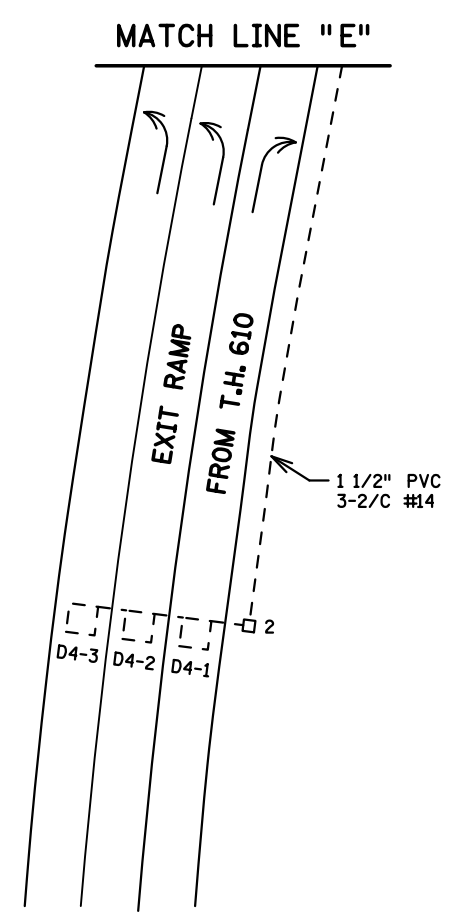
INTERSECTION LAYOUT
TRAFFIC CONTROL SIGNAL SYSTEM
T.H. 610 S. RAMP AT C.S.A.H. 1 (E. RIVER RD.)
IN COON RAPIDS, ANOKA COUNTY

S.A.P. NO. _____ DRAWN BY: _____ CKD BY: _____ DATE: _____
CERTIFIED BY _____ LIC. NO. _____ DATE: _____
STATE PROJ. NO. (T.H.610) SHEET NO. 1 OF 3 SHEETS



TO TH 610
NORTH RAMP AT
EAST RIVER RD
3" RSC
2-1/C #4
1-1/C #6 BR. GR.
1-6PR #19

TO TH 610
SOUTH RAMP AT
EAST RIVER RD
3" RSC
2-2/C #14
2-1/C #4
1-1/C #6 BR. GR.
1-6PR #19



SIDEWALK

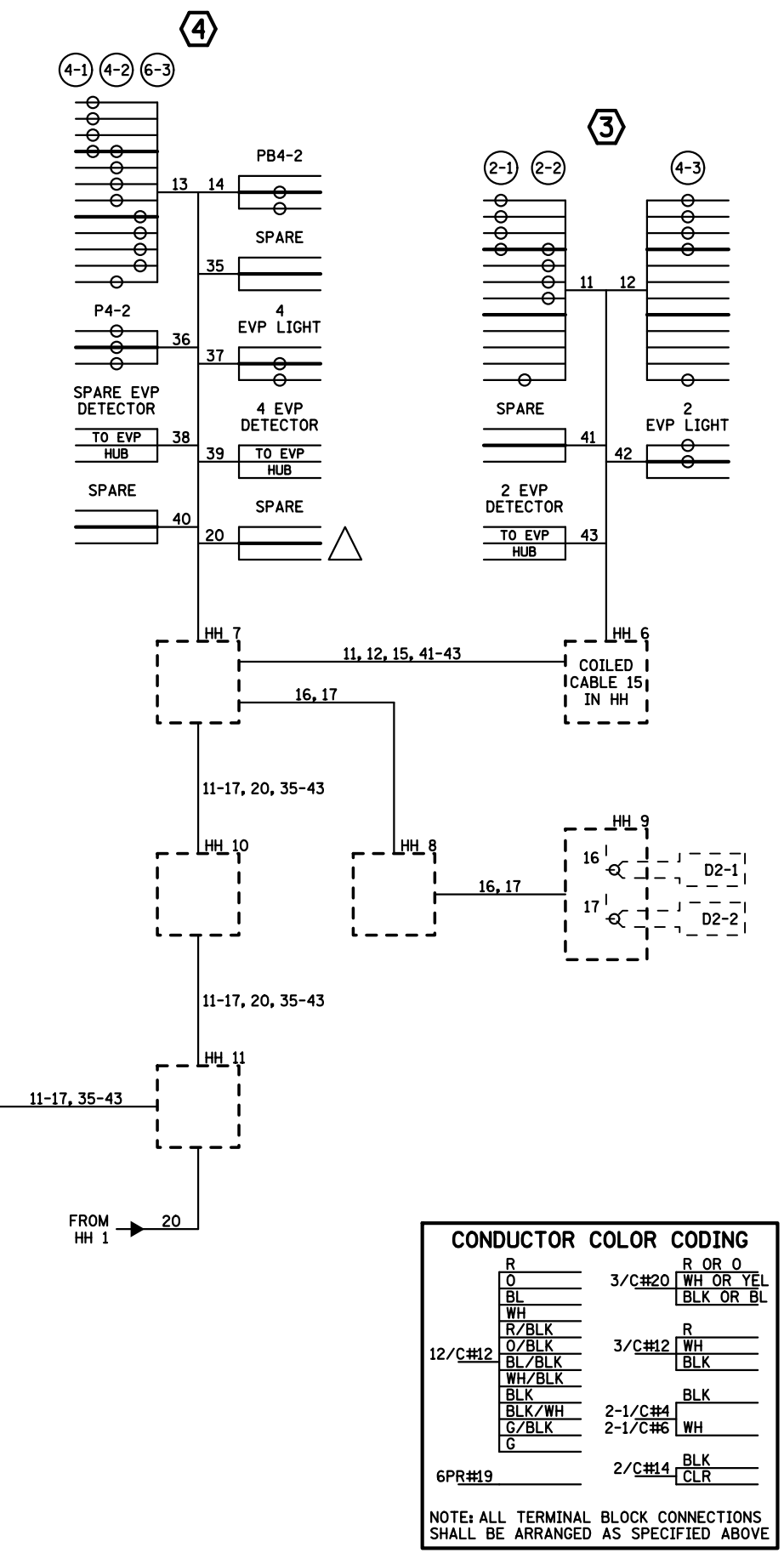
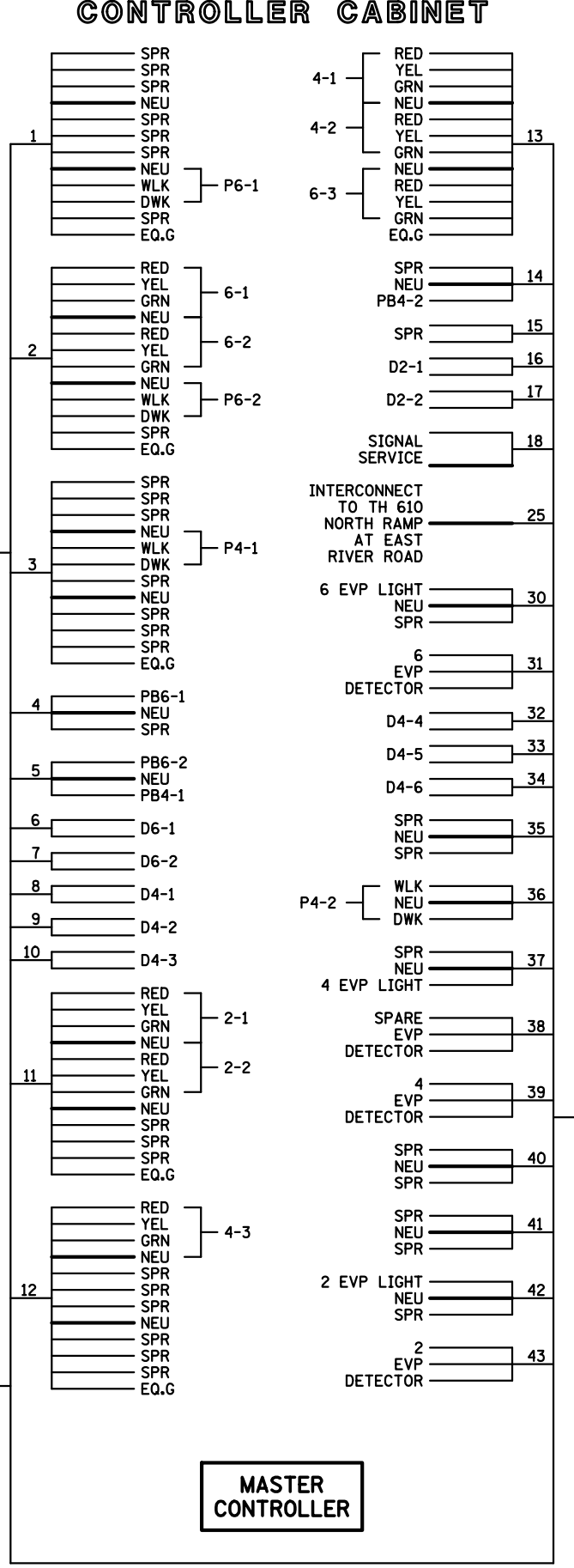
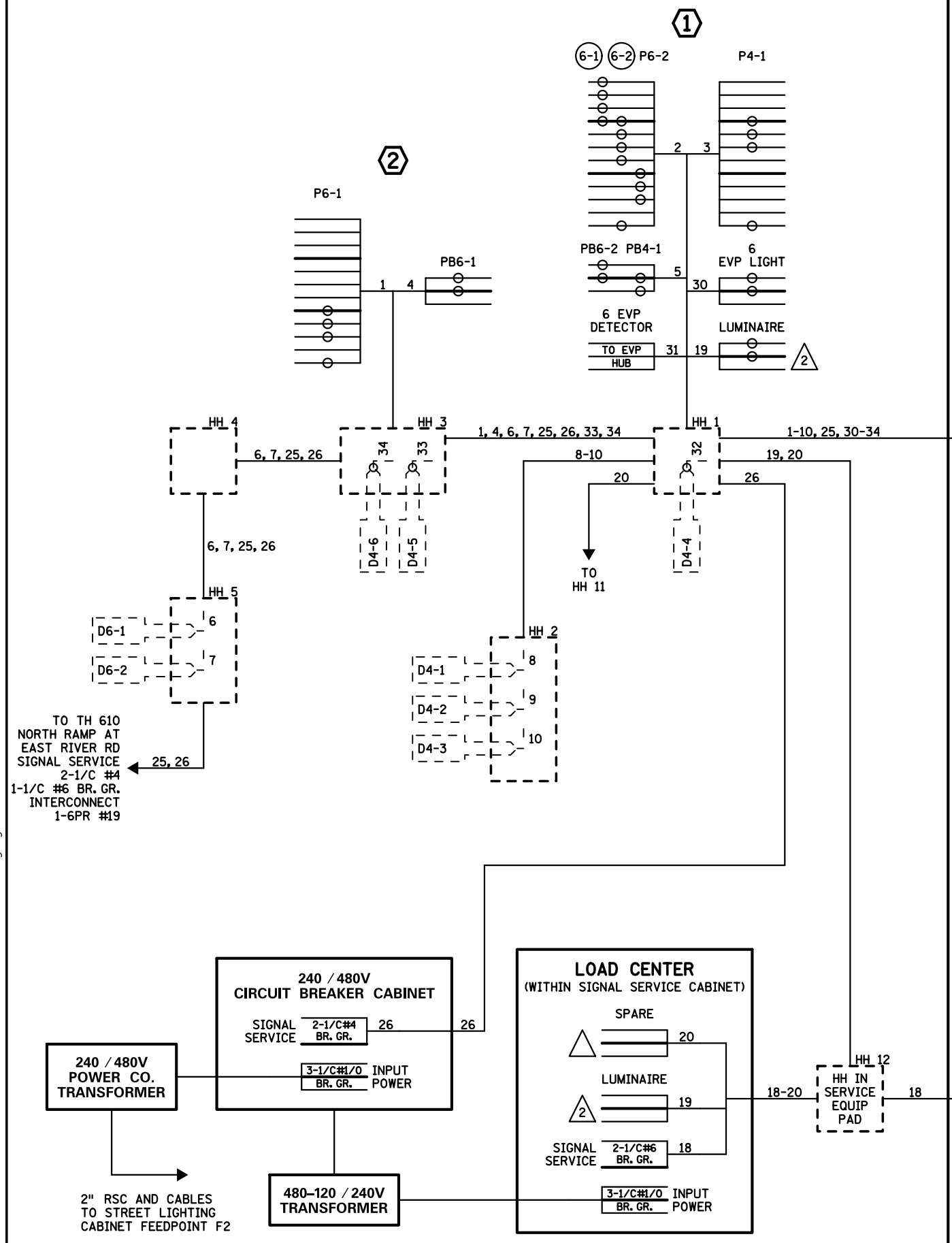
PLOTTED/REVISED: 5/30/2014

DISTRICT #: METRO
IPLOT NAME: match lines
PATH & FILENAME: IP_PWP:d0783399\T21728_sgl.dgn

BY	DATE	REVISIONS	SYSTEM ID: 21728	T.E.	S.A.P. NO.	DRAWN BY:	CKD BY:	DATE:
GDS	05-30-14	AS BUILT OF SP 0217-16	METER ADDRESS: 9200 EAST RIVER RD.		CERTIFIED BY _____	LIC. NO. _____	DATE: _____	
			MASTER ID:	T.E.	STATE PROJ. NO.	(T.H.610)	SHEET NO. 2 OF 3 SHEETS	
			MATCH LINES LAYOUT TRAFFIC CONTROL SIGNAL SYSTEM T.H. 610 S. RAMP AT C.S.A.H. 1 (E. RIVER RD.) IN COON RAPIDS, ANOKA COUNTY					

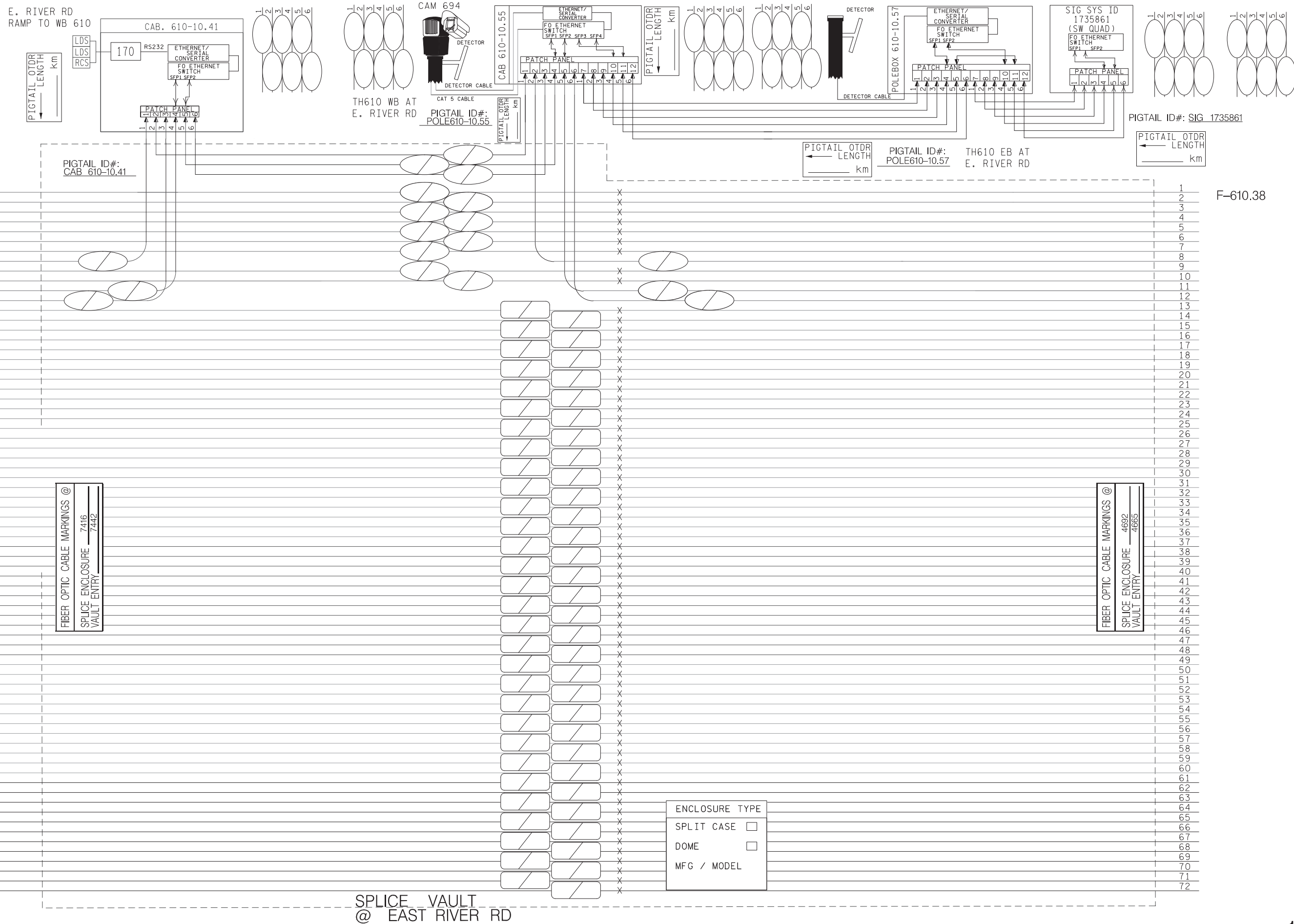
PLOTTED/REVISED: 5/30/2014

DISTRICT #: METRO
IPLOT NAME: wiring
PATH & FILENAME: IP_PWP-d0783399\T21728_1.dgn



BY	DATE	REVISIONS	SYSTEM ID: 21728	T.E.	S.A.P. NO.	DRAWN BY:	CKD BY:	DATE:
GDS	05-30-14	AS BUILT OF SP 0217-16	METER ADDRESS: 9200 EAST RIVER RD.	T.E.	CERTIFIED BY _____	_____	_____	_____
			MASTER ID:	T.E.	LICENSED PROFESSIONAL ENGINEER	LIC. NO. _____	DATE: _____	
FIELD WIRING DIAGRAM					STATE PROJ. NO. (T.H.610)			
TRAFFIC CONTROL SIGNAL SYSTEM					SHEET NO. 3 OF 3 SHEETS			
T.H. 610 S. RAMP AT C.S.A.H. 1 (E. RIVER RD.)								
IN COON RAPIDS, ANOKA COUNTY								

- FD = FIBER DISTRIBUTION FRAME
- = DIRECT PIGTAIL TERMINATION FROM TRUNK LINE TO FRONT OF FDF
- = FDF TERMINATED FIBER
- = FDF TERMINATED FIBER W/ PATCHCORD CONNECTION
- = SINGLE-MODE (MAIN FIBERS ONLY)
- = MULTI-MODE (MAIN FIBERS ONLY)
- - - = BAD FIBER (DON'T USE)
- D = DROPPED FIBER (DON'T USE)
- * = DENOTES 1550 LASER FOR DV 6000



F-610.37

- 1
- 2
- 3
- 4
- 5
- 6
- 7
- 8
- 9
- 10
- 11
- 12
- 13
- 14
- 15
- 16
- 17
- 18
- 19
- 20
- 21
- 22
- 23
- 24
- 25
- 26
- 27
- 28
- 29
- 30
- 31
- 32
- 33
- 34
- 35
- 36
- 37
- 38
- 39
- 40
- 41
- 42
- 43
- 44
- 45
- 46
- 47
- 48
- 49
- 50
- 51
- 52
- 53
- 54
- 55
- 56
- 57
- 58
- 59
- 60
- 61
- 62
- 63
- 64
- 65
- 66
- 67
- 68
- 69
- 70
- 71
- 72

FIBER OPTIC CABLE MARKINGS @
 SPICE ENCLOSURE 7416
 VAULT ENTRY 7442

FIBER OPTIC CABLE MARKINGS @
 SPICE ENCLOSURE 4692
 VAULT ENTRY 4665

ENCLOSURE TYPE
 SPLIT CASE
 DOME
 MFG / MODEL

SPICE VAULT @ EAST RIVER RD

F-610.38

- 1
- 2
- 3
- 4
- 5
- 6
- 7
- 8
- 9
- 10
- 11
- 12
- 13
- 14
- 15
- 16
- 17
- 18
- 19
- 20
- 21
- 22
- 23
- 24
- 25
- 26
- 27
- 28
- 29
- 30
- 31
- 32
- 33
- 34
- 35
- 36
- 37
- 38
- 39
- 40
- 41
- 42
- 43
- 44
- 45
- 46
- 47
- 48
- 49
- 50
- 51
- 52
- 53
- 54
- 55
- 56
- 57
- 58
- 59
- 60
- 61
- 62
- 63
- 64
- 65
- 66
- 67
- 68
- 69
- 70
- 71
- 72