

SIGNAL FACES			
FACE	R	Y	G
1-1, 1-2	←	←	←
2-1, 2-4	○	○	△
2-2, 2-3	○	○	○
6-1, 6-2	○	○	○
8-1, 8-2, 8-3	○	○	○

DETECTOR CHART		
DESIGNATION	SIZE IN FEET	LOCATION
D1-1, D1-2	2-6 X 6	5' & 35'
D2-1, D2-2	6 X 6	180'
D6-1, D6-2	6 X 6	180'
D8-1 *	3-6 X 6	180'
D8-2 *	4-6 X 6	5' & 20'
D8-3	2-6 X 6	-10 & 5'

LOCATION = DISTANCE FROM STOP BAR

* = PVC LOOPS

2 P90 POLE FOUNDATION
 TYPE P90-A-20-D40-9 (DAVIT AT 355 DEG)
 ONE WAY SIGNAL OVERHEAD
 TYPE 10B AT 270 DEG
 LUMINAIRE-200W HPS
 ONE WAY EVP DETECTOR AND
 CONFIRMATORY LIGHT (PHASES 1 & 6)
 PEDESTRIAN PUSH BUTTON
 3" RSC INTO HH 28
 1-12/C#12
 2-3/C#12
 2-1/C#10
 1-1/C#6 BR. GR.
 1-3/C#12
 1-3/C#20

3 PEDESTAL FOUNDATION
 8' SIGNAL PEDESTAL POLE AND BASE
 TYPE 4A
 PEDESTRIAN PUSH BUTTON AND SIGN
 3" RSC INTO HH 31
 2-3/C#12
 1-1/C#6 BR. GR.

6 PEDESTAL FOUNDATION
 10' SIGNAL PEDESTAL POLE AND BASE
 TYPE 2A
 3" RSC INTO HH 27
 1-12/C#12

3" RSC
 1-12/C#12
 2-3/C#12
 5-2/C#14
 2-1/C#10
 1-3/C#12
 1-3/C#20

3" RSC
 2-3/C#12
 5-2/C#14
 1-1/C#6 BR. GR.

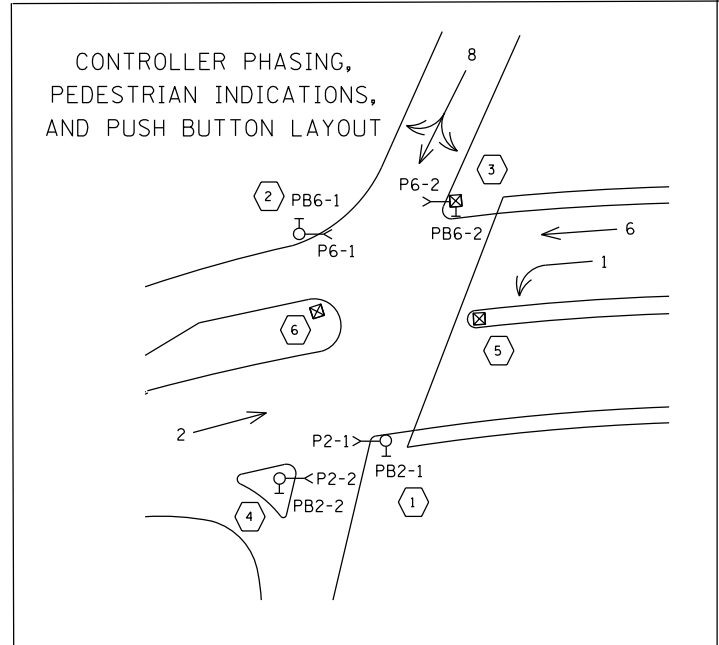
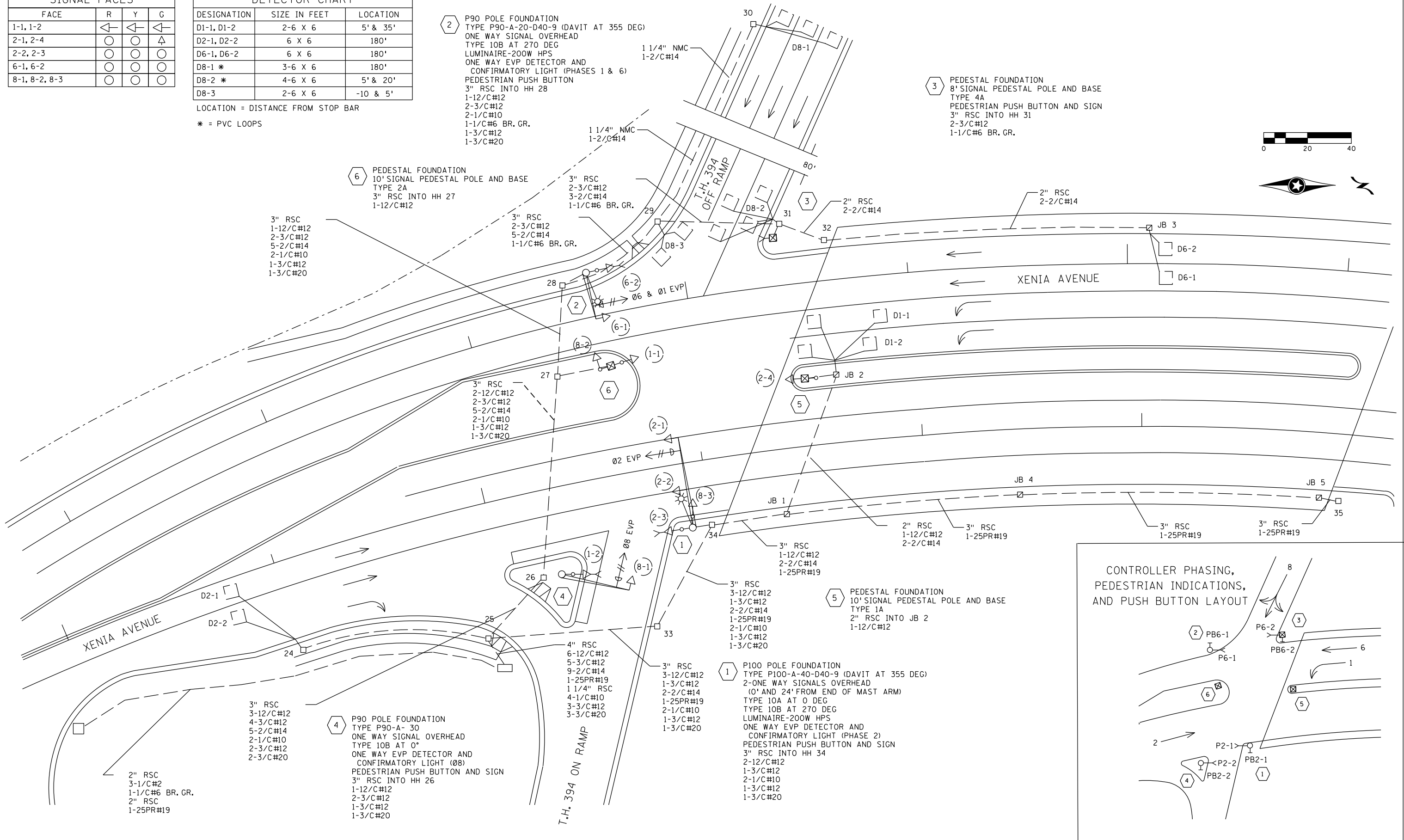
3" RSC
 2-12/C#12
 2-3/C#12
 5-2/C#14
 2-1/C#10
 1-3/C#12
 1-3/C#20

5 PEDESTAL FOUNDATION
 10' SIGNAL PEDESTAL POLE AND BASE
 TYPE 1A
 2" RSC INTO JB 2
 1-12/C#12

1 P100 POLE FOUNDATION
 TYPE P100-A-40-D40-9 (DAVIT AT 355 DEG)
 2-ONE WAY SIGNALS OVERHEAD
 (0' AND 24' FROM END OF MAST ARM)
 TYPE 10A AT 0 DEG
 TYPE 10B AT 270 DEG
 LUMINAIRE-200W HPS
 ONE WAY EVP DETECTOR AND
 CONFIRMATORY LIGHT (PHASE 2)
 PEDESTRIAN PUSH BUTTON AND SIGN
 3" RSC INTO HH 34
 2-12/C#12
 1-3/C#12
 2-1/C#10
 1-3/C#12
 1-3/C#20

4 P90 POLE FOUNDATION
 TYPE P90-A-30
 ONE WAY SIGNAL OVERHEAD
 TYPE 10B AT 0°
 ONE WAY EVP DETECTOR AND
 CONFIRMATORY LIGHT (08)
 PEDESTRIAN PUSH BUTTON AND SIGN
 3" RSC INTO HH 26
 1-12/C#12
 2-3/C#12
 1-3/C#12
 1-3/C#20

2" RSC
 3-1/C#2
 1-1/C#6 BR. GR.
 2" RSC
 1-25PR#19



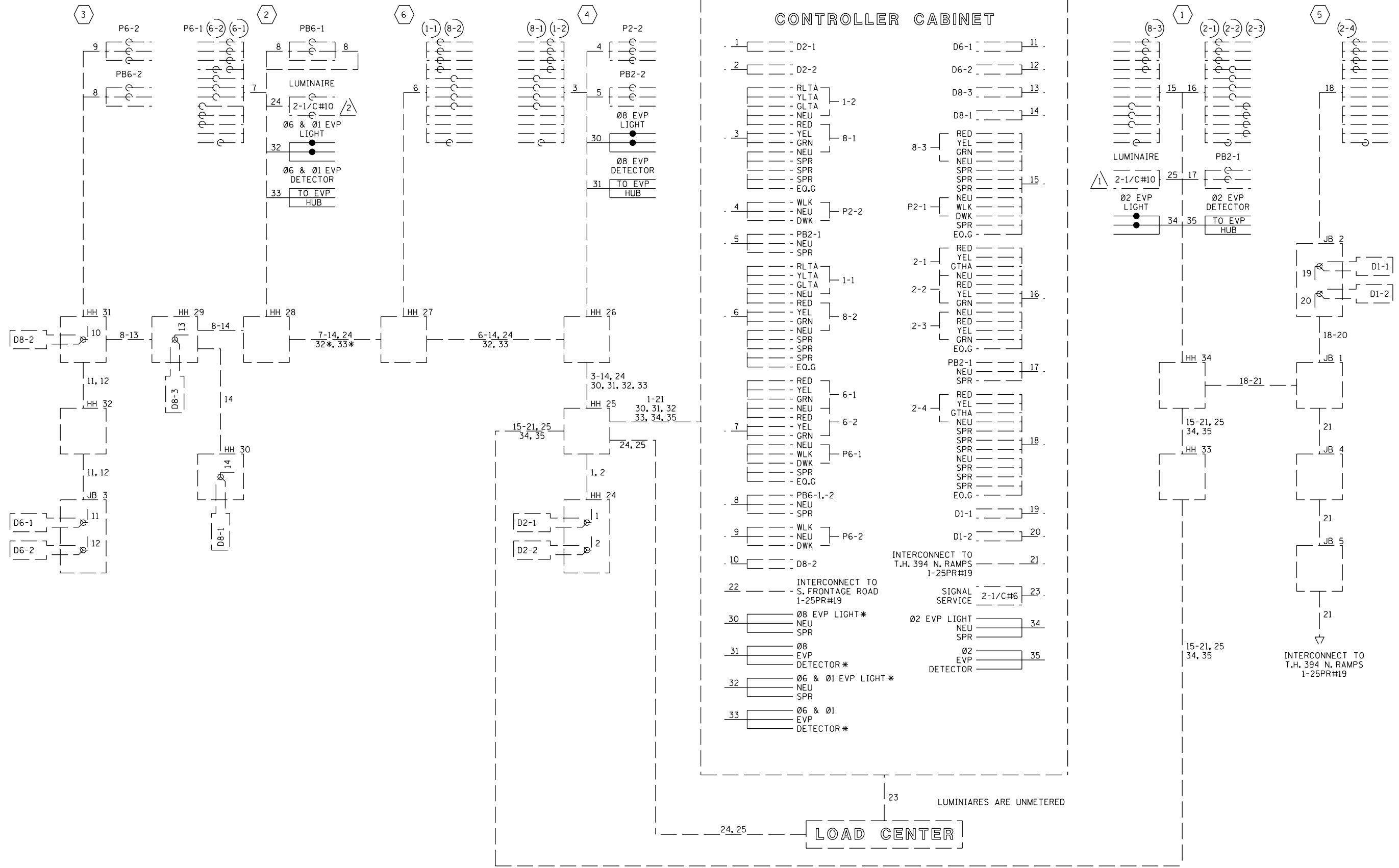
PLOTTED/REVISED: \$\$\$@DATE@\$\$\$

DISTRICT #: \$\$\$@DISTRICT@\$\$
 IPLOT NAME: \$\$\$@PLOT\$NAME@\$\$
 PATH & FILENAME: \$\$\$@PATH\$FILENAME@\$\$\$

BY	DATE	REVISIONS	SYSTEM ID: 21670	T.E.	INTERSECTION LAYOUT	S.A.P. NO.	DRAWN BY:	CKD BY:	DATE:
EJA	03-22-13	AS-BUILT OF SP 8825-427	METER ADDRESS:	T.E.	T.H. 394 AT PARK PLACE/XENIA AVE S. RAMP	CERTIFIED BY _____	LIC. NO. _____	DATE: _____	
			MASTER ID:	T.E.	ST LOUIS PARK, HENNEPIN COUNTY	STATE PROJ. NO.	(T.H.394)	SHEET NO.	1 OF 2 SHEETS

PLOTTED/REVISED: \$\$\$@DATE@\$\$\$

DISTRICT #: @@DISTRICT@
 IPLOT NAME: \$\$\$@PLOT\$NAME\$\$\$
 PATH & FILENAME: \$\$\$@PATH\$FILENAME\$\$\$



BY	DATE	REVISIONS	SYSTEM ID: 21670	T.E.	WIRING DIAGRAM	S.A.P. NO.	DRAWN BY:	CKD BY:	DATE:
EJA	03-22-13	AS-BUILT OF SP 8825-427	METER ADDRESS:		T.H. 394 AT PARK PLACE/XENIA AVE S. RAMP	CERTIFIED BY _____	LIC. NO. _____	DATE: _____	
			MASTER ID:	T.E.	ST LOUIS PARK, HENNEPIN COUNTY	STATE PROJ. NO. _____	(T.H. 394)	SHEET NO. 2 OF	2 SHEETS