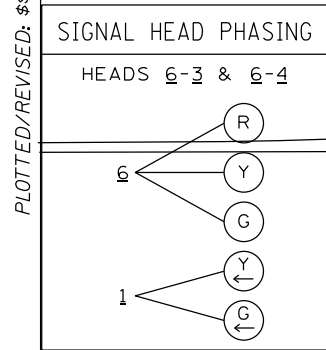


FACE	R	Y	G	Y	G
2-1, 2-2	○	○	○		
4-1, 4-2	○	○	○		
4-3	○	←	←		
6-1, 6-2	○	○	○		
6-3, 6-4	○	○	○	←	←
EL2-1, EL6-1	○				

-ALL SIGNAL INDICATIONS ARE 12" LED
-ALL SIGNAL HEADS ARE BLACK POLYCARBONITE WITH BACKGROUND SHIELDS



① EB LARPEN TEUR STA. 15+27, 27' RT
PA85 POLE FOUNDATION
TYPE PA85-A-25-D40-9 (DAVIT AT 350 DEG)
1-ANGLE MOUNT SIGNAL OVERHEAD AT 0'
2-ANGLE MOUNT SIGNALS AT 90 AND 180 DEG
1-ANGLE MOUNT C. D. PED HEAD AT 180 DEG
1-ONE WAY EVP DETECTOR AND CONFIRMATORY LIGHT (PHASE 2)
1-ONE WAY EVP DETECTOR (PHASES 2+5 ER ADVANCE)
LUMINAIRE-250W HPS
1-APS PB AND SIGN (RT ARROW) (PB2-2)
1-BLUE ENFORCEMENT LIGHT (EL2-1)
1-R9-3 SIGN (NO PED) FACING POLE 4
1-TYPE D SIGN (D-1)
EXTEND INTO HH 7 (ER):
3" PVC
2-12/C #14
1-4/C #14
1-3/C #14
1-3/C #14 (LUM)
1-2/C #14
2-3/C #20
1-1/C #6 INS. GR.

③ WB LARPEN TEUR STA. 14+29, 31' LT
PA90 POLE FOUNDATION
TYPE PA90-A-40-D40-9 (DAVIT AT 350 DEG)
1-ANGLE MOUNT SIGNAL OVERHEAD AT 0'
1-STRAIGHT MOUNT SIGNAL OVERHEAD AT 11'
1-ANGLE MOUNT SIGNAL AT 180 DEG
1-ANGLE MOUNT C. D. PED HEAD AT 180 DEG
1-ONE WAY EVP DETECTOR AND CONFIRMATORY LIGHT (PHASES 1+6)
LUMINAIRE-250W HPS
1-APS PB AND SIGN (RT ARROW) (PB6-2)
1-BLUE ENFORCEMENT LIGHT (EL6-1)
1-R10-12 SIGN (36 X 48) ADJACENT TO HEAD (6-3)
1-R9-3 SIGN (NO PED) FACING POLE 2
EXTEND INTO HH 5:
3" PVC
2-12/C #14
1-4/C #14
1-3/C #14
1-3/C #14 (LUM)
1-2/C #14
1-3/C #20
1-1/C #6 INS. GR.

④ WB LARPEN TEUR STA. 14+89, 27' LT
PEDESTAL FOUNDATION
9' SIGNAL PEDESTAL POLE AND BASE (8' POLE PLUS BASE)
TYPE 4A BRACKETING
1-C. D. PED HEAD
1-APS PB AND SIGN (LT ARROW) (PB6-1)
1-R9-3 SIGN (NO PED) FACING POLE 1
1-R6-1R SIGN (ONE WAY)
1-R6-1L SIGN (ONE WAY)
EXTEND INTO HH 7:
3" PVC
1-4/C #14
1-2/C #14
1-1/C #6 INS. GR.

① WB LARPEN TEUR STA. 15+43, 43' RT
EQUIPMENT PAD
LIGHTING CABINET (SEE LIGHTING PLAN)
SERVICE CABINET
CONTROLLER AND CABINET
4" PVC TO HH 7 (ER):
2-12/C #14
2-4/C #14
1-3/C #14
10-2/C #14
3-3/C #20
1-FO CABLE (6SM)
1-1/C #6 INS. GR.

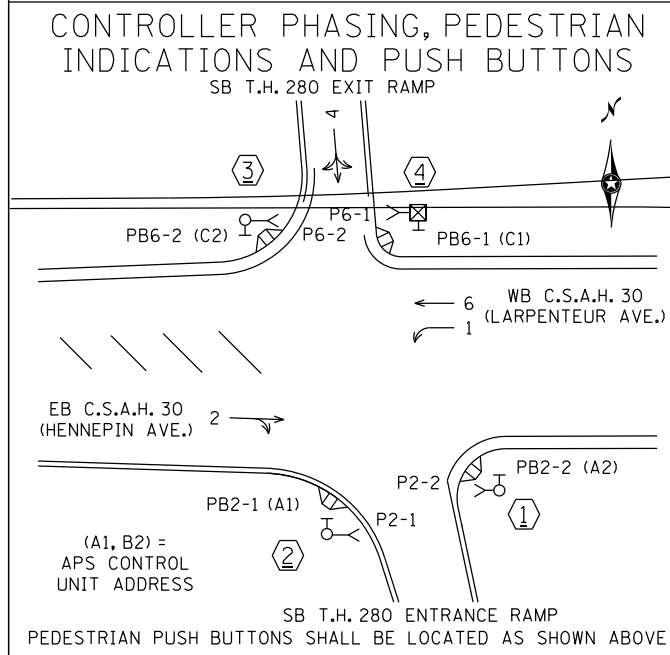
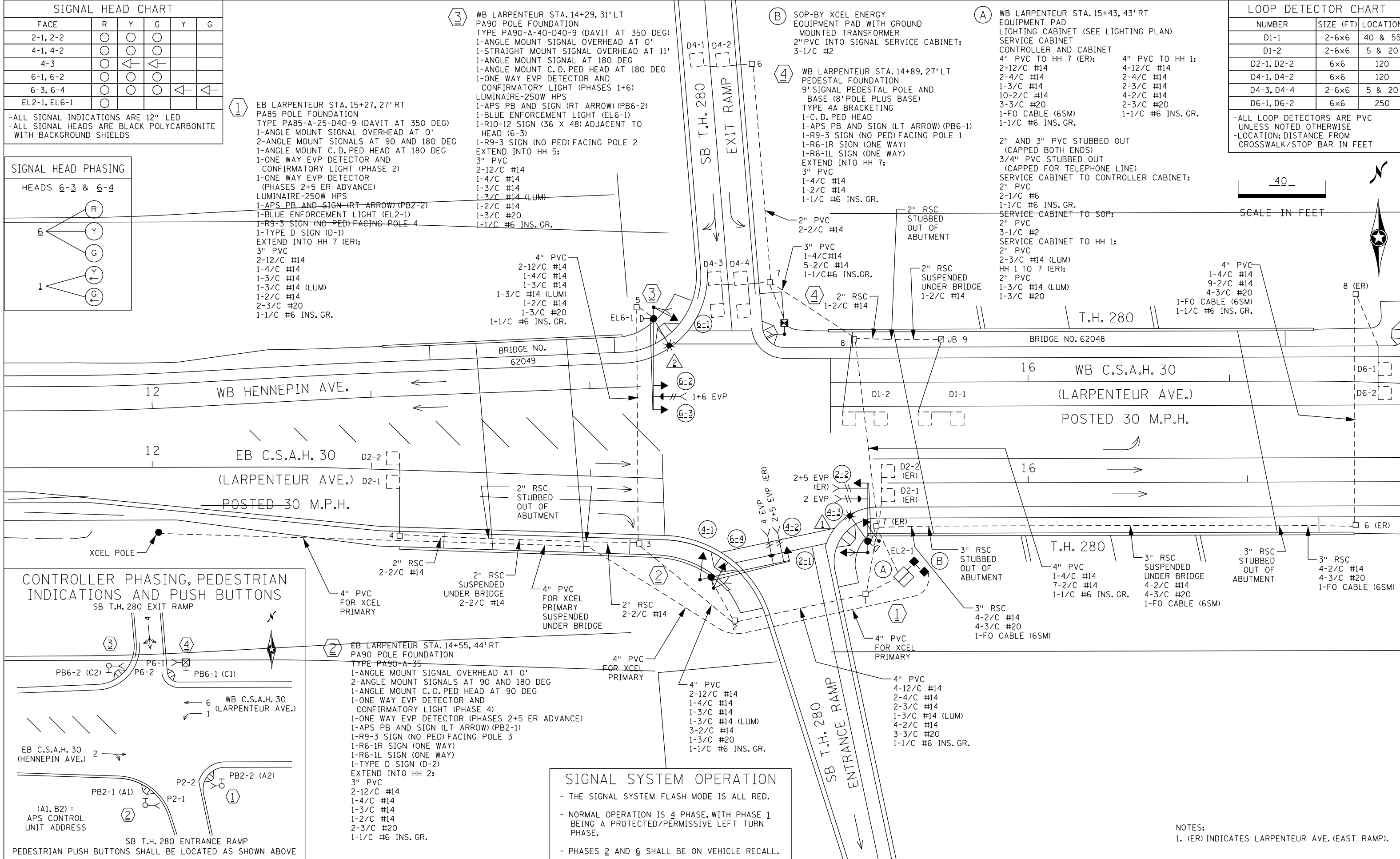
② AND 3" PVC STUBBED OUT (CAPPED BOTH ENDS)
3/4" PVC STUBBED OUT (CAPPED FOR TELEPHONE LINE)
SERVICE CABINET TO CONTROLLER CABINET:
2" PVC
2-1/C #6
1-1/C #6 INS. GR.
SERVICE CABINET TO SOP:
2" PVC
3-1/C #2
SERVICE CABINET TO HH 1:
2" PVC
2-3/C #14 (LUM)
HH 1 TO 7 (ER):
2" PVC
1-3/C #14 (LUM)
1-3/C #20

NUMBER	SIZE (FT)	LOCATION
D1-1	2-6x6	40 & 55
D1-2	2-6x6	5 & 20
D2-1, D2-2	6x6	120
D4-1, D4-2	6x6	120
D4-3, D4-4	2-6x6	5 & 20
D6-1, D6-2	6x6	250

-ALL LOOP DETECTORS ARE PVC UNLESS NOTED OTHERWISE
-LOCATION: DISTANCE FROM CROSSWALK/STOP BAR IN FEET

PLOTTED/REVISED: \$\$\$DATE\$\$\$

DISTRICT #: \$@DISTRICT@
PLOT NAME: \$@PLOT\$NAME@
PATH & FILENAME: \$\$\$PATH\$FILENAME\$\$\$



SIGNAL SYSTEM OPERATION

- THE SIGNAL SYSTEM FLASH MODE IS ALL RED.
- NORMAL OPERATION IS 4 PHASE, WITH PHASE 1 BEING A PROTECTED/PERMISSIVE LEFT TURN PHASE.
- PHASES 2 AND 6 SHALL BE ON VEHICLE RECALL.

NOTES:
1. (ER) INDICATES LARPEN TEUR AVE. (EAST RAMP).

BY	DATE	REVISIONS
GDS	10-29-10	AS BUILT
SJK	11-17-11	FIELD REVISIONS
EJA	04-29-15	AS-BUILT OF SP 062-Q30-Q16 ENFORCEMENT LIGHTS ADDED

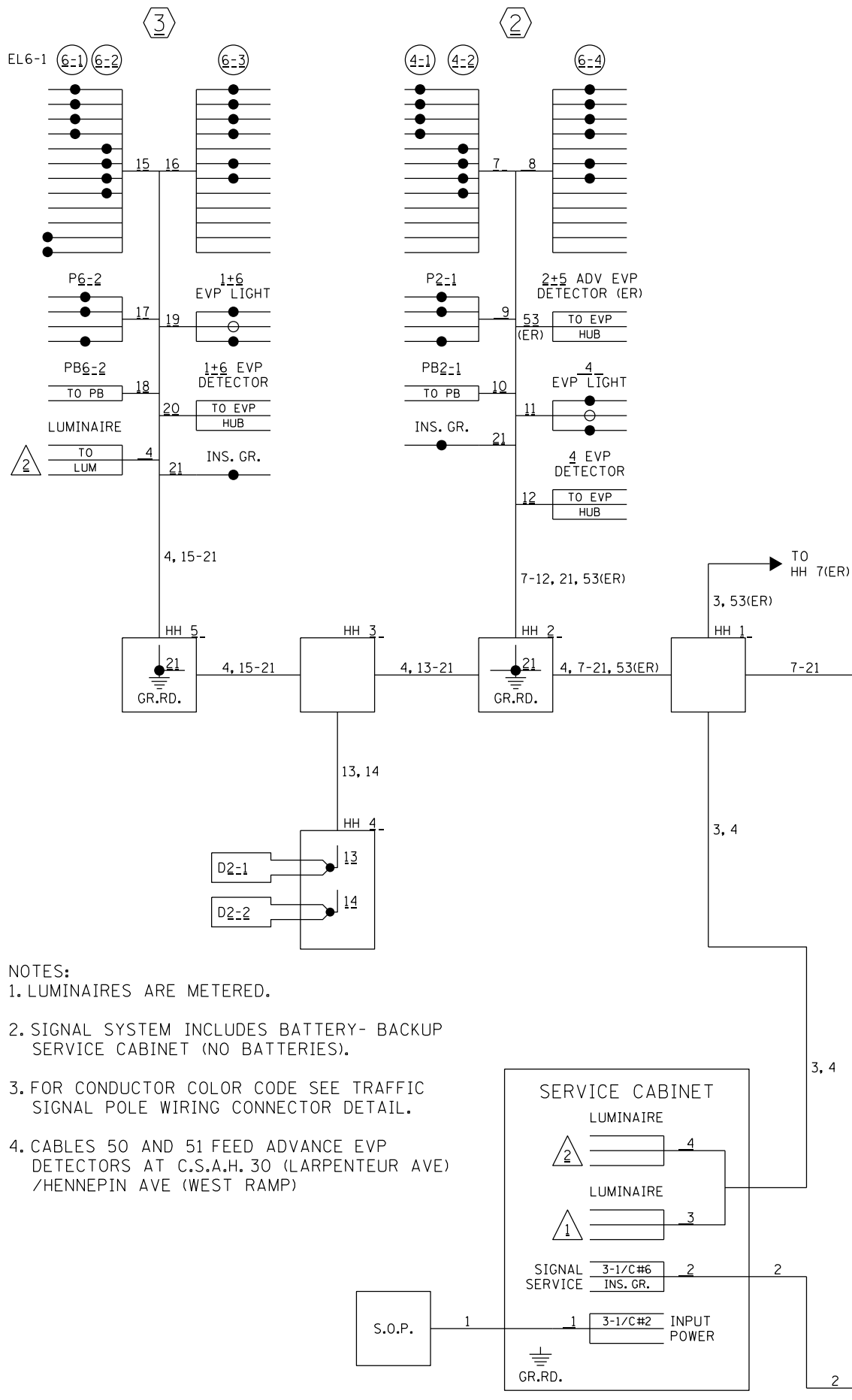
SYSTEM ID: 38722 T.E. 4690
METER ADDRESS: 2602 LARPEN TEUR AVE. W
MASTER ID: 38725 T.E. 4700

INTERSECTION LAYOUT
T.H. 280 AT CSAH 30 (LARPEN TEUR AVE)
/HENNEPIN AVE WEST RAMPS
IN LAUDERDALE, RAMSEY COUNTY

S.A.P. NO. 62-630-53
DRAWN BY: GDS CKD BY: EJA DATE: 12-22-08
CERTIFIED BY _____ LIC. NO. 19863 DATE: 12-22-08
STATE PROJ. NO. _____ (T.H. 280) SHEET NO. 1 OF 2 SHEETS

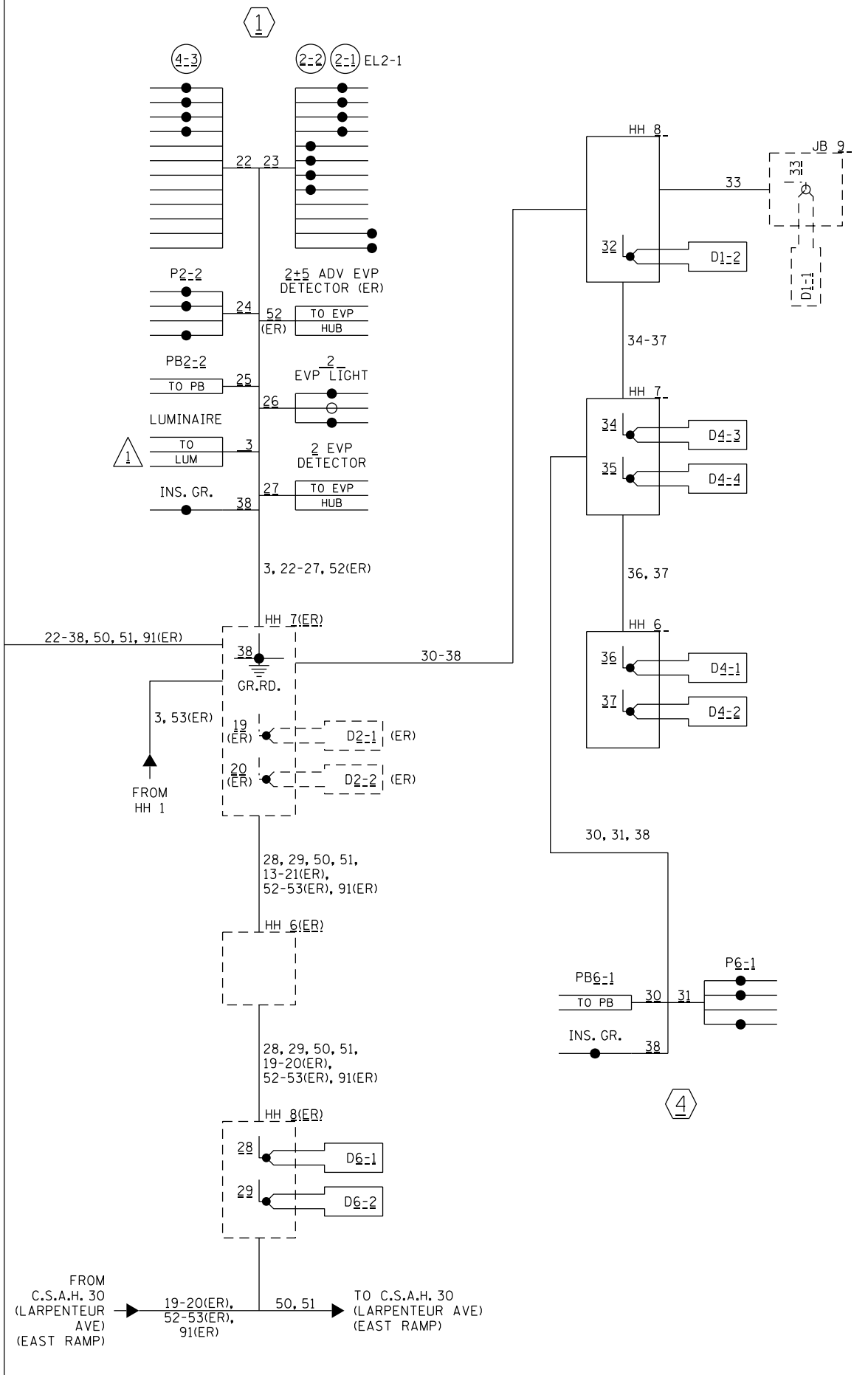
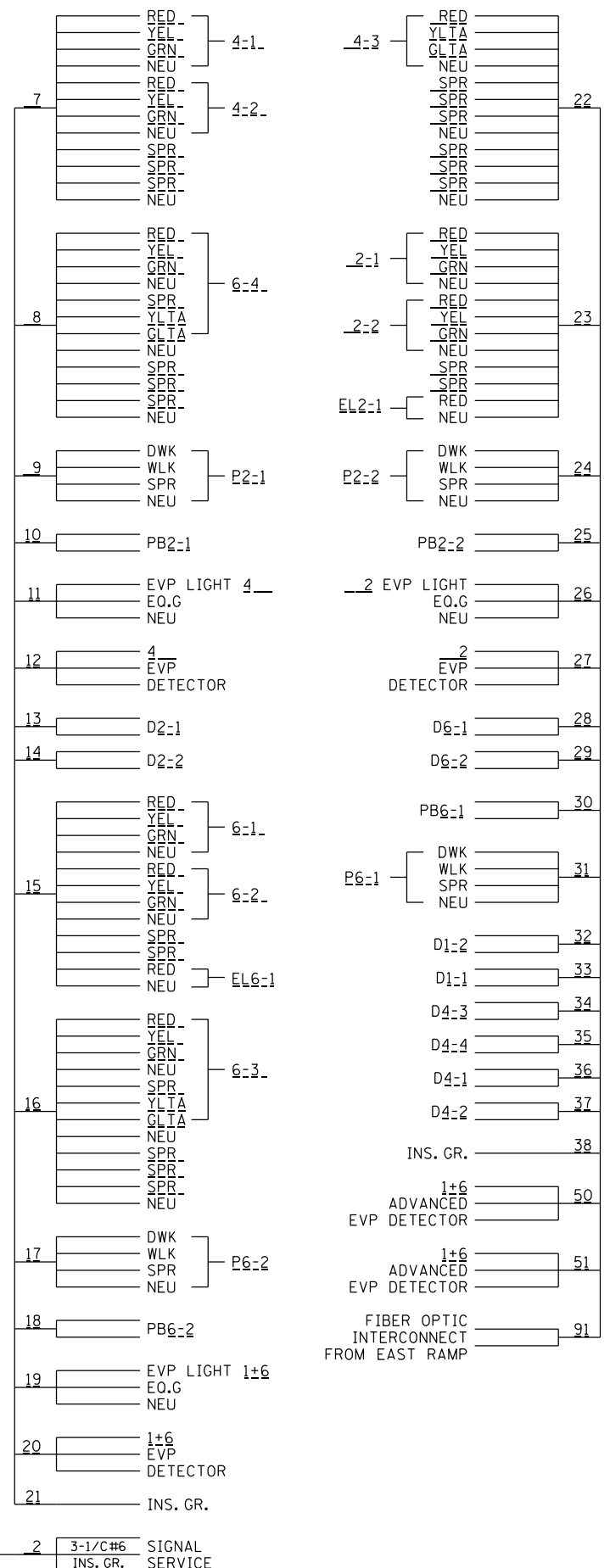
PLOTTED/REVISED: \$\$\$@DATE@\$\$\$

DISTRICT #: \$@DISTRICT@
PLOT NAME: \$\$\$@PLOT\$NAME@\$\$
PATH & FILENAME: \$\$\$@PATH\$FILENAME@\$\$\$



- NOTES:
1. LUMINAIRES ARE METERED.
 2. SIGNAL SYSTEM INCLUDES BATTERY- BACKUP SERVICE CABINET (NO BATTERIES).
 3. FOR CONDUCTOR COLOR CODE SEE TRAFFIC SIGNAL POLE WIRING CONNECTOR DETAIL.
 4. CABLES 50 AND 51 FEED ADVANCE EVP DETECTORS AT C.S.A.H. 30 (LARPEN TEUR AVE) /HENNEPIN AVE (WEST RAMP)

CONTROLLER CABINET



BY	DATE	REVISIONS
GDS	10-29-10	AS BUILT OF SP 6241-51
SJK	11-17-11	FIELD REVISIONS OF SP6241-51
EJA	04-29-15	AS-BUILT OF SP 062-030-016 ENFORCEMENT LIGHTS ADDED

SYSTEM ID: 38722 T.E. 4690
 METER ADDRESS: 2602 LARPENIEUR AVE. W
 MASTER ID: 38725 T.E. 4700

FIELD WIRING DIAGRAM
 T.H. 280 AT CSAH 30 (LARPEN TEUR AVE)
 /HENNEPIN AVE WEST RAMPS
 IN LAUDERDALE, RAMSEY COUNTY

S.A.P. NO. _____ DRAWN BY: GDS CKD BY: EJA DATE: 12-22-08
 CERTIFIED BY _____ LIC. NO. 19863 DATE: 12-22-08
 STATE PROJ. NO. _____ (T.H. 280) SHEET NO. 2 OF 2 SHEETS