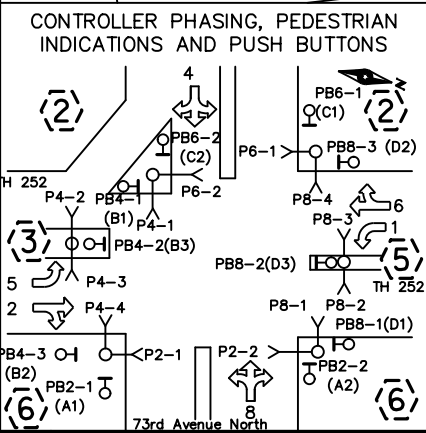
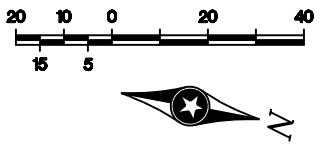
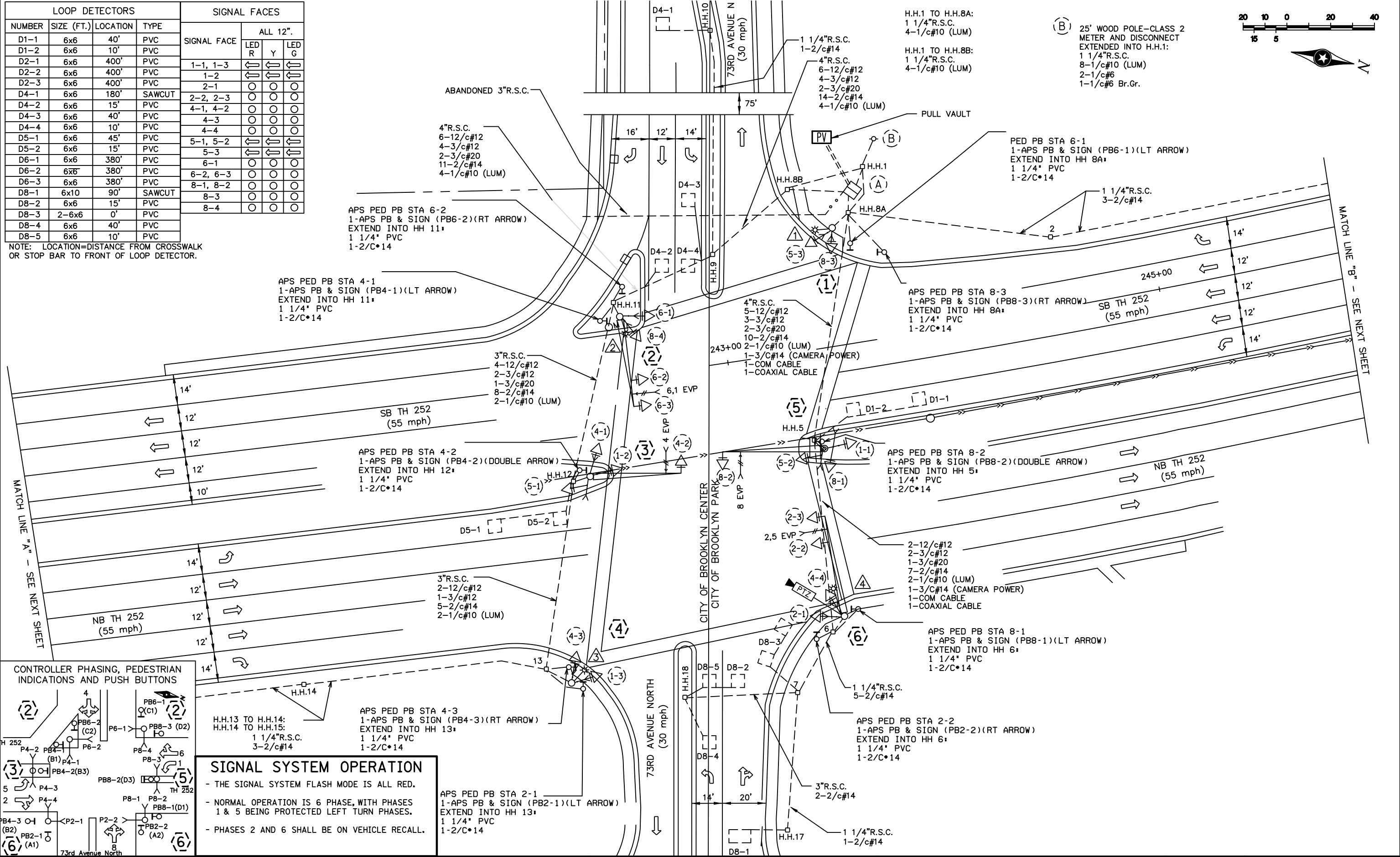


PLOTTED/REVISED: 16-NOV-2021

DISTRICT *: Metro
PLOT NAME: LAYOUT
FILENAME: Proj\dm\DM_PROJ\252\0000\Traffic\Signals\49_21623_73rd_Ave_N\173579NT\21623_SGL.DGN

LOOP DETECTORS				SIGNAL FACES			
NUMBER	SIZE (FT.)	LOCATION	TYPE	ALL 12"			
				SIGNAL FACE	LED R	LED Y	LED G
D1-1	6x6	40'	PVC				
D1-2	6x6	10'	PVC				
D2-1	6x6	400'	PVC	1-1, 1-3	←	←	←
D2-2	6x6	400'	PVC	1-2	←	←	←
D2-3	6x6	400'	PVC	2-1	←	←	←
D4-1	6x6	180'	SAWCUT	2-2, 2-3	←	←	←
D4-2	6x6	15'	PVC	4-1, 4-2	←	←	←
D4-3	6x6	40'	PVC	4-3	←	←	←
D4-4	6x6	10'	PVC	4-4	←	←	←
D5-1	6x6	45'	PVC	5-1, 5-2	←	←	←
D5-2	6x6	15'	PVC	5-3	←	←	←
D6-1	6x6	380'	PVC	6-1	←	←	←
D6-2	6x6	380'	PVC	6-2, 6-3	←	←	←
D6-3	6x6	380'	PVC	8-1, 8-2	←	←	←
D8-1	6x10	90'	SAWCUT	8-3	←	←	←
D8-2	6x6	15'	PVC	8-4	←	←	←
D8-3	2-6x6	0'	PVC				
D8-4	6x6	40'	PVC				
D8-5	6x6	10'	PVC				

NOTE: LOCATION=DISTANCE FROM CROSSWALK OR STOP BAR TO FRONT OF LOOP DETECTOR.



SIGNAL SYSTEM OPERATION

- THE SIGNAL SYSTEM FLASH MODE IS ALL RED.
- NORMAL OPERATION IS 6 PHASE, WITH PHASES 1 & 5 BEING PROTECTED LEFT TURN PHASES.
- PHASES 2 AND 6 SHALL BE ON VEHICLE RECALL.

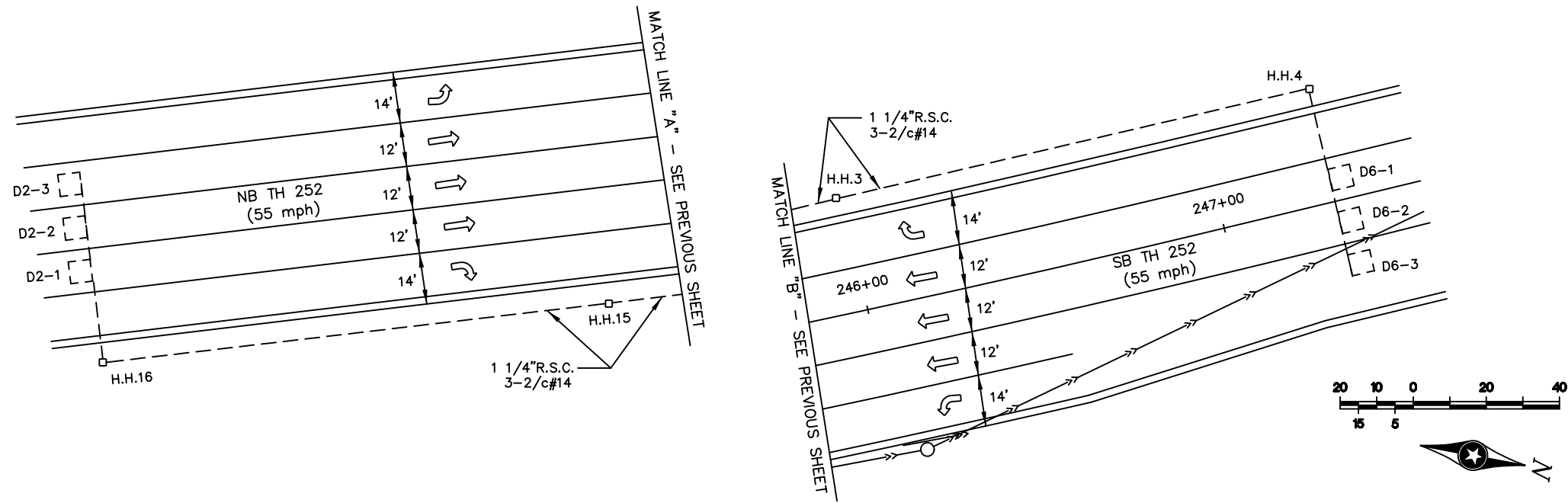
BY	DATE	REVISIONS
SJK	11/21	ADDED FIBER AND PTZ CAMERA SP 2748-62

SYSTEM ID: 1735791 T.E.
 METER ADDRESS: 73RD AVE
 OLD SYSTEM ID:

INTERSECTION LAYOUT TH 252 AT 73RD AVE N IN BROOKLYN CENTER, HENNEPIN COUNTY

S.A.P. NO.	DRAWN BY:	CKD BY:	DATE:
CERTIFIED BY _____	LIC. NO. _____	DATE: _____	
STATE PROJ. NO.	(T.H.252)	SHEET NO. 1 OF 4 SHEETS	

PLOTTED/REVISED: 16-NOV-2021



(1) CONCRETE FOUNDATION
STREET LIGHT POLE TYPE 12P-40
(WITH PEC AND CHECK SWITCH)
LUMINAIRE 200 W HPS AT 355 DEG
TYPE 10B-POLE MOUNTED 0 DEG
TYPE 10B-POLE MOUNTED 270 DEG
2-C.D. PEDESTRIAN INDICATIONS
EXTENDED INTO H.H.8A:
3" R.S.C.
2-12/c#12
1-3/c#12
2-1/c#10 (LUM)
2-2/C#14

(2) A100 POLE FOUNDATION
TYPE A100-A-40-D40-12 (DAVIT AT 355 DEG)
LUMINAIRE 200 W HPS W/PEC & CHECK SWITCH
2-ONE WAY SIGNALS-OVERHEAD
2-TYPE 10B-POLE MOUNTED 0 & 270 DEG
2-C.D. PEDESTRIAN INDICATIONS
2-R6-1 SIGN PANELS-POLE MOUNTED 0 & 180 DEG
TYPE D SIGN PANEL-OVERHEAD
ONE WAY EVP DETECTOR AND LIGHT (6,1)
EXTENDED INTO H.H.11:
3" R.S.C.
2-12/c#12
2-3/c#12
1-3/c#20
2-1/c#10 (LUM)
2-2/C#14

(3) A100 POLE FOUNDATION
TYPE A100-A-40
1-ONE WAY SIGNAL-OVERHEAD
CAP MID-MOUNT AT 12'
TYPE 10A-POLE MOUNTED 0 DEG
2-TYPE 10B-POLE MOUNTED 90 & 270 DEG
2-C.D. PEDESTRIAN INDICATIONS
R10-12 SIGN PANEL-ADJACENT TO 4-2
TYPE D SIGN PANEL-OVERHEAD (D-1)
ONE WAY EVP DETECTOR, LIGHT & EXT. (4)
EXTENDED INTO H.H.12:
3" R.S.C.
4-12/c#12
3-3/c#12
1-3/c#20
1-2/C#14

(4) CONCRETE FOUNDATION
STREET LIGHT POLE TYPE 12P-40
(WITH PEC AND CHECK SWITCH)
LUMINAIRE 200 W HPS AT 355 DEG
2-TYPE 10B-POLE MOUNTED 0 & 270 DEG
2-C.D. PEDESTRIAN INDICATIONS
EXTENDED INTO H.H.13:
3" R.S.C.
2-12/c#12
1-3/c#12
2-1/c#10 (LUM)
2-2/C#14

(A) CABINET FOUNDATION
CONTROLLER AND CABINET
EXTENDED INTO H.H.1: 4" R.S.C.
2-1/c#6
1-1/c#6 Br.Gr.
EXTENDED INTO H.H.8B: 2-3/c#20
4" R.S.C.
6-12/c#12
4-3/c#12
2-3/c#20
14-2/c#14
1-3/C#14 (CAMERA POWER)
1-COM CABLE
1-COAXIAL CABLE
1.5" NMC TO PULL VAULT
6SM (PIGTAIL)

(5) PA100 POLE FOUNDATION
TYPE A100-A-45
1-ONE WAY SIGNAL-OVERHEAD
CAP MID-MOUNT AT 12'
1-TYPE 10A-POLE MOUNTED AT 0 DEG
2-TYPE 10B-POLE MOUNTED 90 & 270 DEG
2-C.D. PEDESTRIAN INDICATIONS
R10-12 SIGN PANEL-ADJACENT TO 8-2
TYPE D SIGN PANEL-OVERHEAD (D-2)
ONE WAY EVP DETECTOR, LIGHT & EXTENSION (8)
EXTEND INTO H.H.5:
3" R.S.C.
3-12/c#12
3-3/c#12
1-3/c#20
1-2/C#14

(6) A100 POLE FOUNDATION
TYPE A100-A-45-D40-12 (DAVIT AT 355 DEG)
1-X6-350/CAM 400 EXTENSION (MOUNTED AT 350 DEG)
1-VIDEO CAMERA (CAM 2523)
LUMINAIRE 200 W HPS W/PEC & CHECK SWITCH
2-ONE WAY SIGNALS-OVERHEAD
2-TYPE 10B-POLE MOUNTED 0 AND 270 DEG
2-C.D. PEDESTRIAN INDICATIONS
2-R6-1 SIGN PANELS-POLE MOUNTED 0 & 180 DEG
TYPE C SIGN PANEL-POLE MOUNTED 180 DEG
TYPE D SIGN PANEL-OVERHEAD
ONE WAY EVP DETECTOR AND LIGHT (2,5)
EXTENDED INTO H.H.6:
3" R.S.C.
2-12/c#12
2-3/c#12
1-3/c#20
2-1/c#10 (LUM)
2-2/C#14
1-3/C#14 (CAMERA POWER)
1-COM CABLE
1-COAXIAL CABLE
7/16 BRAIDED GROUND

DISTRICT *: Metro
PLOT NAME: POLE NOTES
FILENAME: Projects\DM_F05\252\0000\Traffic\Signals\49_21623_73rd_Ave_N\173579NT\21623_SGL.DGN

BY	DATE	REVISIONS
SJK	11/21	ADDED FIBER AND PTZ CAMERA SP 2748-62

SYSTEM ID: 1735791 T.E.
METER ADDRESS: 73RD AVE
OLD SYSTEM ID:

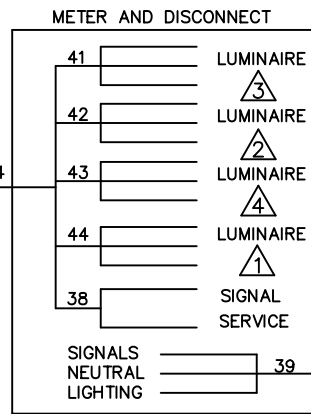
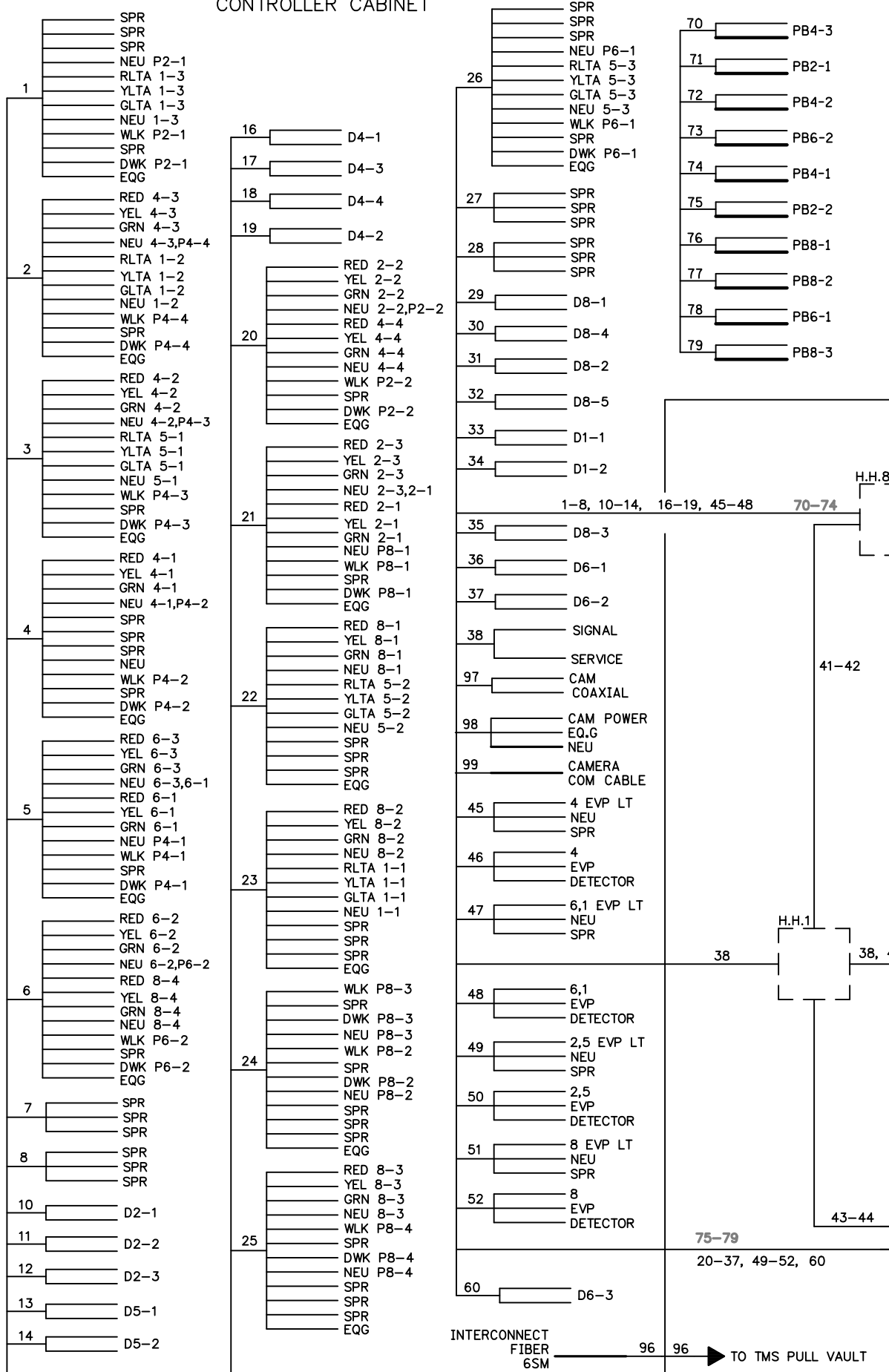
**MATCHLINES/POLE NOTES
TH 252 AT 73RD AVE N
IN BROOKLYN CENTER, HENNEPIN COUNTY**

S.A.P. NO.	DRAWN BY:	CKD BY:	DATE:
CERTIFIED BY _____	LIC. NO. _____	DATE: _____	
STATE PROJ. NO. (T.H.252)		SHEET NO. 2 OF 4 SHEETS	

PLOTTED/REVISED: 16-NOV-2021

DISTRICT *: Metro
PLOT NAME: WIRING DIAGRAM 1 OF 2
FILENAME: Projects\DM_FOS\252\0000\Traffic\Signals\49_21623_73rd_Ave_N\173579NT\21623_SGL.DGN

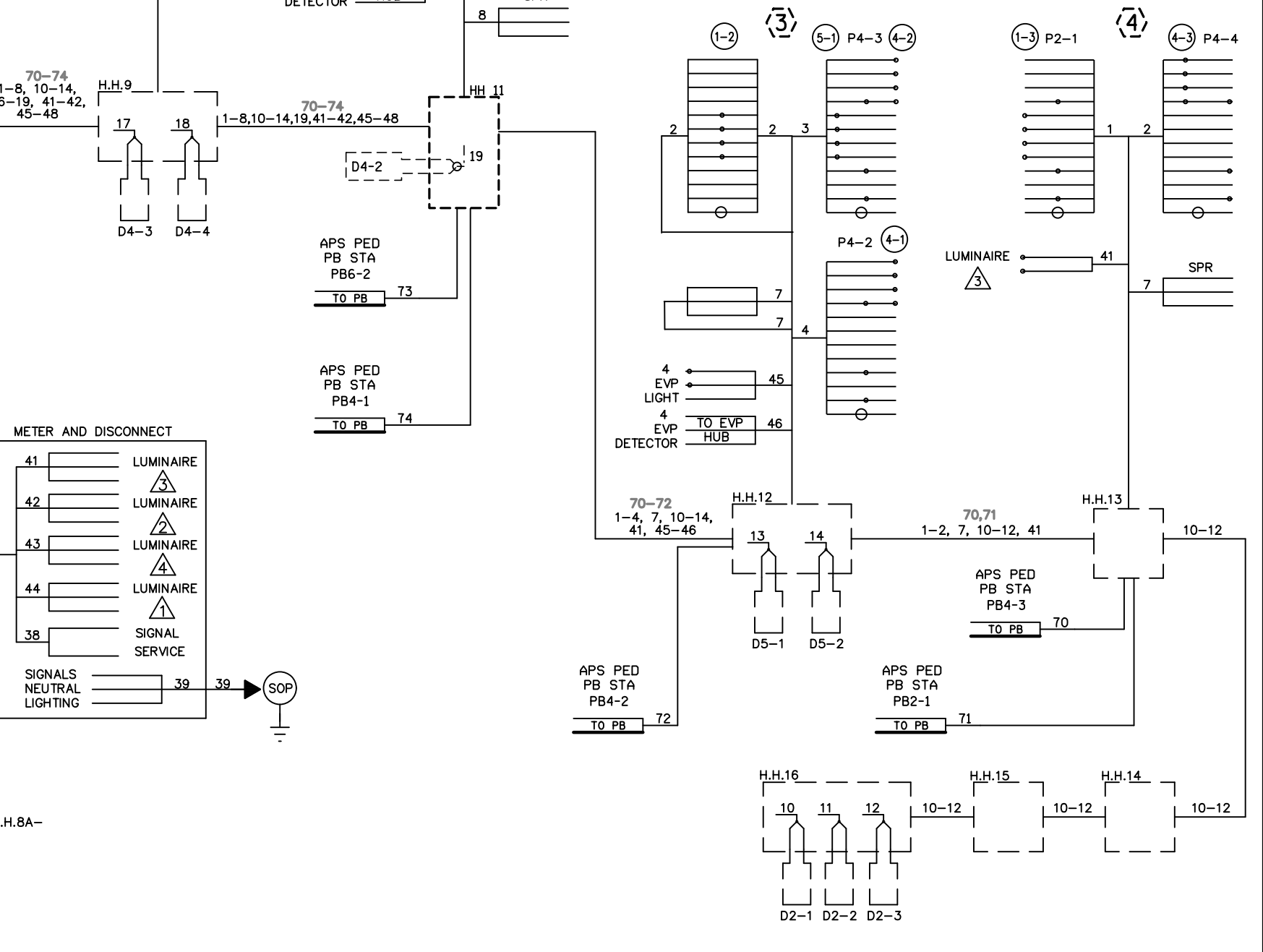
CONTROLLER CABINET



CONDUCTOR COLOR CODE

TO SIGNAL CABINET		TO DEVICE	
2-1/C#10	R WH	7/C#14	R O BL WH Y BLK BRN
3/C#20	R OR O WH OR YEL BLK OR BL	5/C#14	R O BL WH Y BLK BRN
2/C#14	BLK CLR	4/C#14	R O BL WH Y BLK BRN
2-1/C#6	BLK WH	2/C#14	R O BL WH Y BLK BRN

NOTE: TERMINAL BLOCK CONNECTIONS SHALL BE ARRANGED AS SPECIFIED ABOVE.



BY	DATE	REVISIONS
SJK	11/21	ADDED FIBER AND PTZ CAMERA SP 2748-62

SYSTEM ID: 1735791 T.E.
METER ADDRESS: 73RD AVE
OLD SYSTEM ID:

WIRING DIAGRAM 1 OF 2
TH 252 AT 73RD AVE N
IN BROOKLYN CENTER, HENNEPIN COUNTY

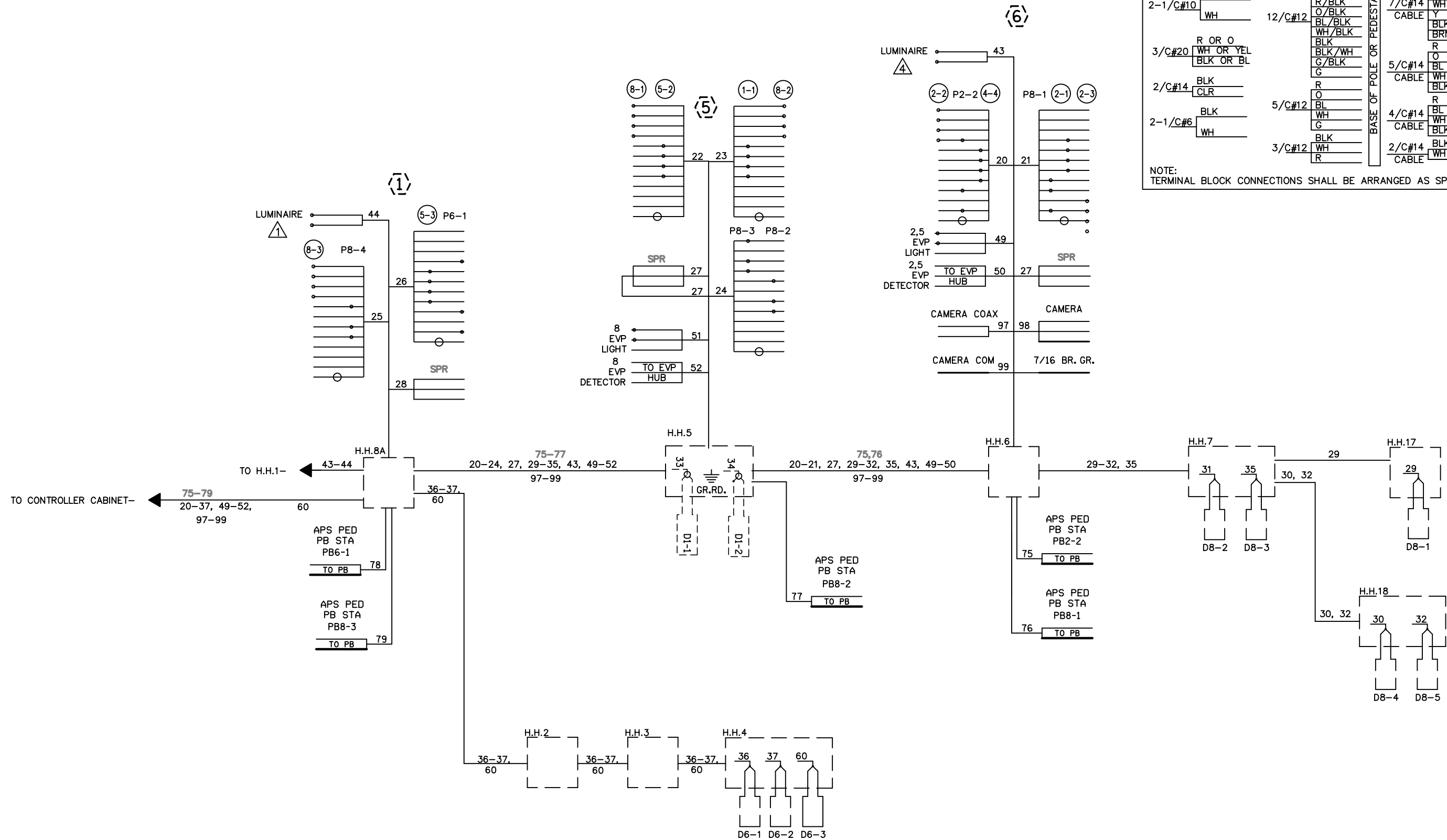
S.A.P. NO.	DRAWN BY:	CKD BY:	DATE:
CERTIFIED BY _____	LIC. NO. _____	DATE: _____	
STATE PROJ. NO.	(T.H.252)	SHEET NO. 3 OF 4 SHEETS	

PLOTTED/REVISED: 16-NOV-2021

DISTRICT *: Metro
 PLOT NAME: WIRING DIAGRAM 2 OF 2
 FILENAME: Projects\DM_FOS\252\0000\Traffic\Signal\N.49_21623_73rd_Ave_N\173579NT21623_SGL.DGN

CONDUCTOR COLOR CODE				
TO SIGNAL CABINET		TO DEVICE		
2-1/C#10	R WH	7/C#14 CABLE	R O BL WH R/BLK O/BLK BL/BLK WH/BLK BLK BLK/WH G/BLK G R O BL WH G BLK WH R	RED YEL GRN NEU YLTA GLTA SPR RED YEL GRN NEU GLTA DWK WLK NEU SPR EVP/PB/FLASHER NEU
3/C#20	R OR O WH OR YEL BLK OR BL	5/C#14 CABLE	R O BL WH BLK BLK	3 & 4- SECTION SIGNAL INDICATION
2/C#14	BLK CLR	4/C#14 CABLE	R O BL WH BLK WH	PEDESTRIAN INDICATION
2-1/C#6	BLK WH	2/C#14 CABLE	R O BL WH BLK WH	EVP/PB/FLASHER NEU

NOTE:
 TERMINAL BLOCK CONNECTIONS SHALL BE ARRANGED AS SPECIFIED ABOVE.



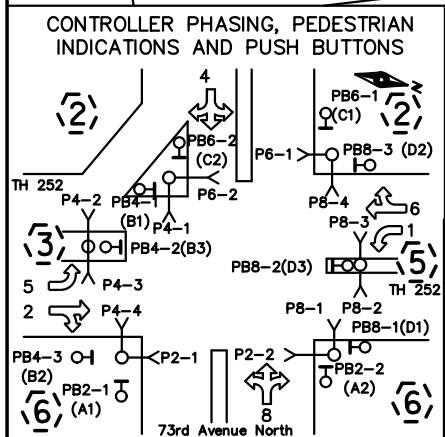
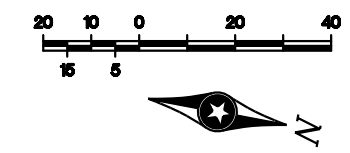
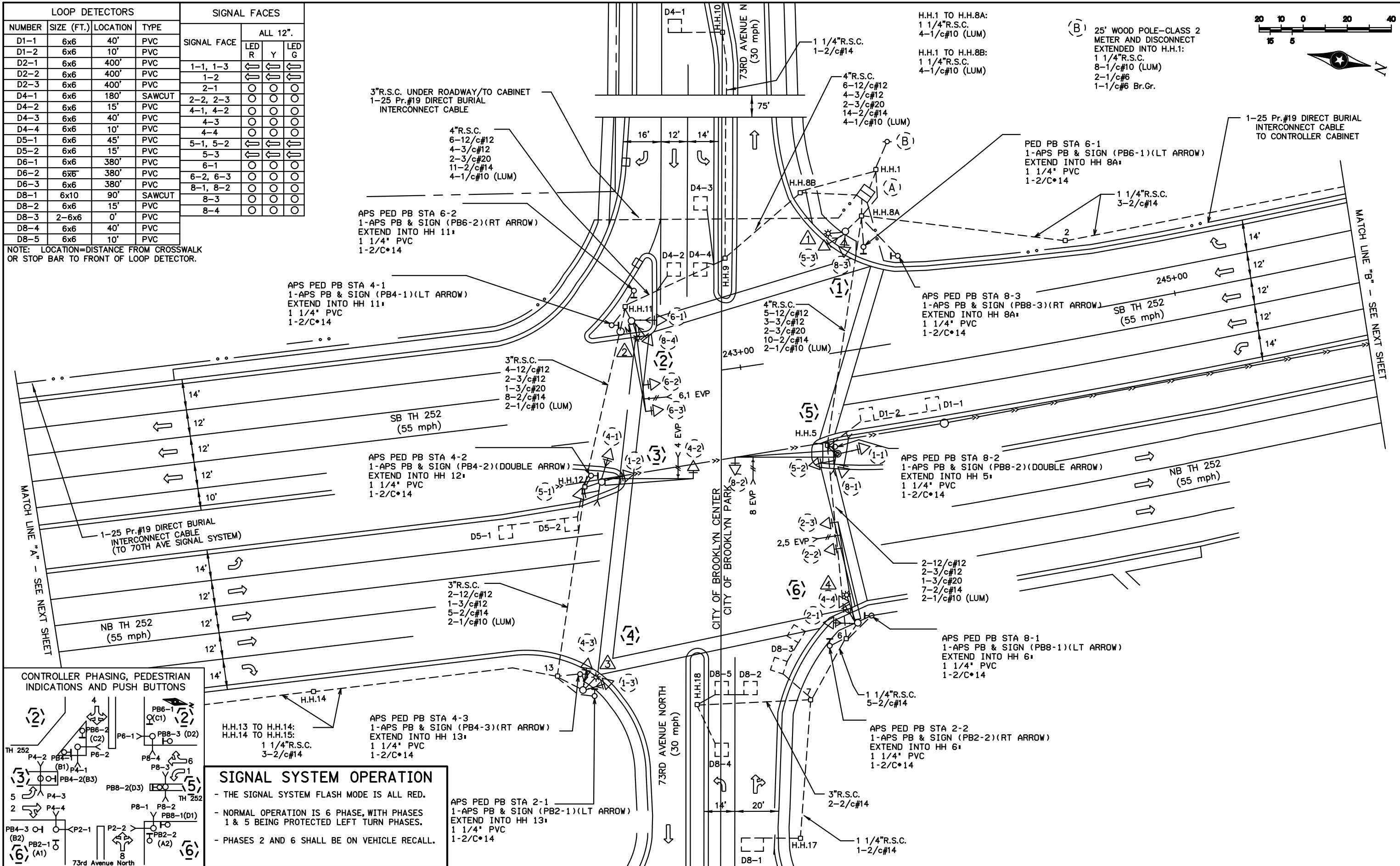
BY	DATE	REVISIONS	SYSTEM ID: 1735791	T.E.	S.A.P. NO.	DRAWN BY:	CKD BY:	DATE:
SJK	11/21	ADDED FIBER AND PTZ CAMERA SP 2748-62	METER ADDRESS: 73RD AVE		CERTIFIED BY _____	LIC. NO. _____	DATE: _____	
			OLD SYSTEM ID:		STATE PROJ. NO. (T.H.252)		SHEET NO. 4 OF 4 SHEETS	

PLOTTED/REVISED: 6/11/2013

DISTRICT #: METRO
PLOT NAME: INTERSECTION
PATH & FILENAME: IP_PWP-d0785033T21623_SGLDGN

LOOP DETECTORS				SIGNAL FACES			
NUMBER	SIZE (FT.)	LOCATION	TYPE	ALL 12"			
				SIGNAL FACE	LED R	LED Y	LED G
D1-1	6x6	40'	PVC				
D1-2	6x6	10'	PVC				
D2-1	6x6	400'	PVC	1-1, 1-3	←	←	←
D2-2	6x6	400'	PVC	1-2	←	←	←
D2-3	6x6	400'	PVC	2-1	○	○	○
D4-1	6x6	180'	SAWCUT	2-2, 2-3	○	○	○
D4-2	6x6	15'	PVC	4-1, 4-2	○	○	○
D4-3	6x6	40'	PVC	4-3	○	○	○
D4-4	6x6	10'	PVC	4-4	○	○	○
D5-1	6x6	45'	PVC	5-1, 5-2	←	←	←
D5-2	6x6	15'	PVC	5-3	←	←	←
D6-1	6x6	380'	PVC	6-1	○	○	○
D6-2	6x6	380'	PVC	6-2, 6-3	○	○	○
D6-3	6x6	380'	PVC	8-1, 8-2	○	○	○
D8-1	6x10	90'	SAWCUT	8-3	○	○	○
D8-2	6x6	15'	PVC	8-4	○	○	○
D8-3	2-6x6	0'	PVC				
D8-4	6x6	40'	PVC				
D8-5	6x6	10'	PVC				

NOTE: LOCATION=DISTANCE FROM CROSSWALK OR STOP BAR TO FRONT OF LOOP DETECTOR.



SIGNAL SYSTEM OPERATION

- THE SIGNAL SYSTEM FLASH MODE IS ALL RED.
- NORMAL OPERATION IS 6 PHASE, WITH PHASES 1 & 5 BEING PROTECTED LEFT TURN PHASES.
- PHASES 2 AND 6 SHALL BE ON VEHICLE RECALL.

BY	DATE	REVISIONS
MAS	1-19-11	AS-BUILT MESU ADDED PHASE 8 PBS AND INDS. TE 5289
EJA	06-10-13	AS-BUILT OF SP 8825-356 (APS)

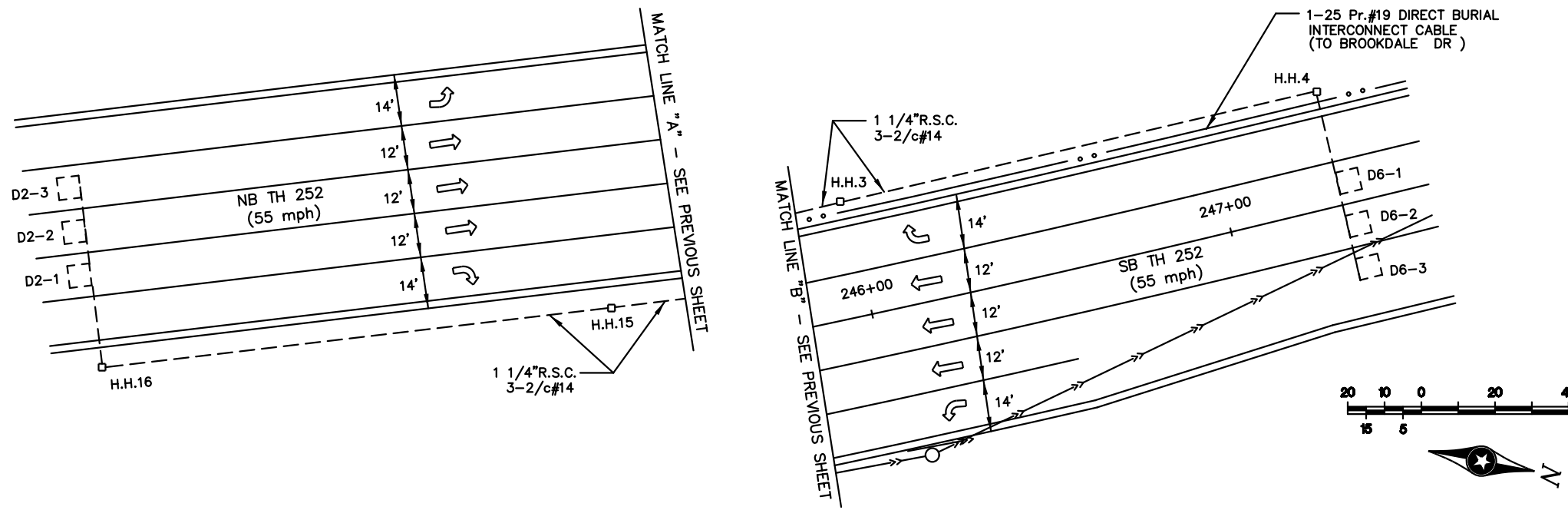
SYSTEM ID: 21623 T.E. 5637
 METER ADDRESS: 73RD AVE N
 MASTER ID: T.E.

INTERSECTION LAYOUT
TRAFFIC CONTROL SIGNAL SYSTEM
TH 252 AT 73RD AVE N
IN BROOKLIN PARK, BROOKLYN CENTER, HENNEPIN COUNTY

S.A.P. NO. _____
 CERTIFIED BY *Michael P. Lubinsky*
 LICENSED PROFESSIONAL ENGINEER

DRAWN BY: MAS CKD BY: MPG DATE: 5-24-12
 L.I.C. NO. 19863 DATE: 5-31-12
STATE PROJ. NO. SHEET NO. 1 OF 4 SHEETS

PLOTTED/REVISED: 6/11/2013



- ①
 CONCRETE FOUNDATION
 STREET LIGHT POLE TYPE 12P-40
 (WITH PEC AND CHECK SWITCH)
 LUMINAIRE 200 W HPS AT 355 DEG
 TYPE 10B-POLE MOUNTED 0 DEG
 TYPE 10B-POLE MOUNTED 270 DEG
 2-C.D. PEDESTRIAN INDICATIONS
 EXTENDED INTO H.H.8A:
 3" R.S.C.
 2-12/c#12
 1-3/c#12
 2-1/c#10 (LUM)
 2-2/C#14

- ②
 A100 POLE FOUNDATION
 TYPE A100-A-40-D40-12 (DAVIT AT 355 DEG)
 LUMINAIRE 200 W HPS W/PEC & CHECK SWITCH
 2-ONE WAY SIGNALS-OVERHEAD
 2-TYPE 10B-POLE MOUNTED 0 & 270 DEG
 2-C.D. PEDESTRIAN INDICATIONS
 2-R6-1 SIGN PANELS-POLE MOUNTED 0 & 180 DEG
 TYPE D SIGN PANEL-OVERHEAD
 ONE WAY EVP DETECTOR AND LIGHT (6,1)
 EXTENDED INTO H.H.11:
 3" R.S.C.
 2-12/c#12
 2-3/c#12
 1-3/c#20
 2-1/c#10 (LUM)
 2-2/C#14

- ③
 A100 POLE FOUNDATION
 TYPE A100-A-40
 1-ONE WAY SIGNAL-OVERHEAD
 CAP MID-MOUNT AT 12'
 TYPE 10A-POLE MOUNTED 0 DEG
 2-TYPE 10B-POLE MOUNTED 90 & 270 DEG
 2-C.D. PEDESTRIAN INDICATIONS
 R10-12 SIGN PANEL-ADJACENT TO 4-2
 TYPE D SIGN PANEL-OVERHEAD (D-1)
 ONE WAY EVP DETECTOR, LIGHT & EXT. (4)
 EXTENDED INTO H.H.12:
 3" R.S.C.
 4-12/c#12
 3-3/c#12
 1-3/c#20
 1-2/C#14

- ④
 CONCRETE FOUNDATION
 STREET LIGHT POLE TYPE 12P-40
 (WITH PEC AND CHECK SWITCH)
 LUMINAIRE 200 W HPS AT 355 DEG
 2-TYPE 10B-POLE MOUNTED 0 & 270 DEG
 2-C.D. PEDESTRIAN INDICATIONS
 EXTENDED INTO H.H.13:
 3" R.S.C.
 2-12/c#12
 1-3/c#12
 2-1/c#10 (LUM)
 2-2/C#14

- ①
 CABINET FOUNDATION
 CONTROLLER AND CABINET
 EXTENDED INTO H.H.1:
 1 1/4" R.S.C.
 2-1/c#6
 1-1/c#6 Br.Gr.
 EXTENDED INTO H.H.8B:
 4" R.S.C.
 6-12/c#12
 4-3/c#12
 2-3/c#20
 14-2/c#14
 EXTENDED INTO H.H.8A:
 4" R.S.C.
 7-12/c#12
 4-3/c#12
 2-3/c#20
 15-2/c#14

- ⑤
 PA100 POLE FOUNDATION
 TYPE A100-A-45
 1-ONE WAY SIGNAL-OVERHEAD
 CAP MID-MOUNT AT 12'
 1-TYPE 10A-POLE MOUNTED AT 0 DEG
 2-TYPE 10B-POLE MOUNTED 90 & 270 DEG
 2-C.D. PEDESTRIAN INDICATIONS
 R10-12 SIGN PANEL-ADJACENT TO 8-2
 TYPE D SIGN PANEL-OVERHEAD (D-2)
 ONE WAY EVP DETECTOR, LIGHT & EXTENSION (8)
 EXTEND INTO H.H.5:
 3" R.S.C.
 3-12/c#12
 3-3/c#12
 1-3/c#20
 1-2/C#14

- ⑥
 A100 POLE FOUNDATION
 TYPE A100-A-45-D40-12 (DAVIT AT 355 DEG)
 LUMINAIRE 200 W HPS W/PEC & CHECK SWITCH
 2-ONE WAY SIGNALS-OVERHEAD
 2-TYPE 10B-POLE MOUNTED 0 AND 270 DEG
 2-C.D. PEDESTRIAN INDICATIONS
 2-R6-1 SIGN PANELS-POLE MOUNTED 0 & 180 DEG
 TYPE C SIGN PANEL-POLE MOUNTED 180 DEG
 TYPE D SIGN PANEL-OVERHEAD
 ONE WAY EVP DETECTOR AND LIGHT (2,5)
 EXTENDED INTO H.H.6:
 3" R.S.C.
 2-12/c#12
 2-3/c#12
 1-3/c#20
 2-1/c#10 (LUM)
 2-2/C#14

DISTRICT #: METRO
 IPLOT NAME: POLENOTES
 PATH & FILENAME: IP_PWP-d0785033\T21623_SGLDGN

BY	DATE	REVISIONS
MAS	01-19-11	AS-BUILT MESU ADDED PHASE 8 PBS AND INDS. TE 5289
EJA	06-10-13	AS-BUILT OF SP 8825-356 (APS)

SYSTEM ID: 21623	T.E. 5637
METER ADDRESS: 73RD AVE N	
MASTER ID:	T.E.

MATCHLINE AND POLE NOTES
TRAFFIC CONTROL SIGNAL SYSTEM
TH 252 AT 73RD AVE N
IN BROOKLYN PARK, BROOKLYN CENTER, HENNEPIN COUNTY

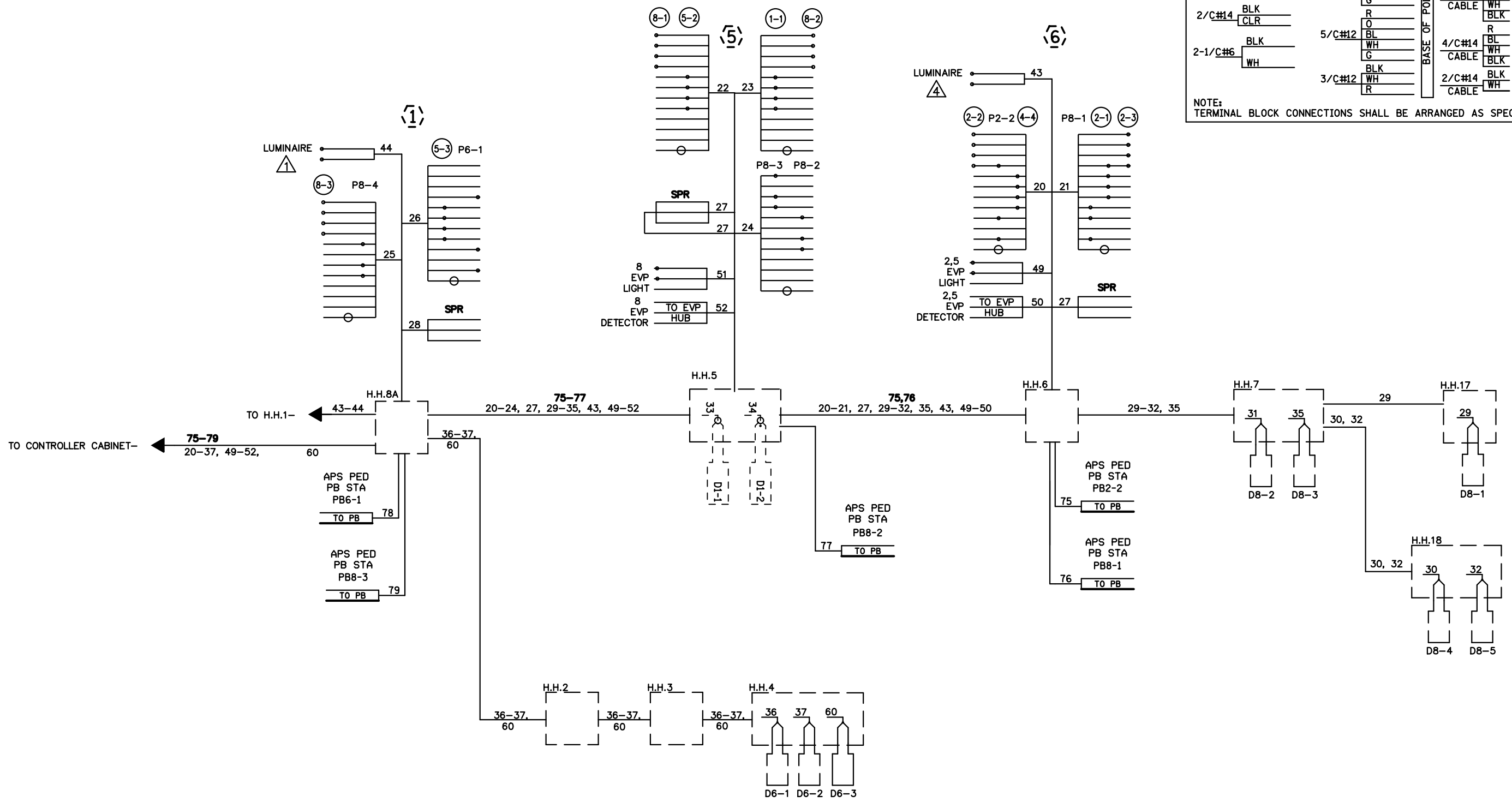
S.A.P. NO.	DRAWN BY: MAS	CKD BY: MPG	DATE: 5-24-12
CERTIFIED BY: <i>Michael P. Lubinsky</i>	LIC. NO. 19863	DATE: 5-31-12	
STATE PROJ. NO.	SHEET NO. 2 OF 4 SHEETS		

PLOTTED/REVISED: 6/11/2013

DISTRICT #: METRO
 IPLOT NAME: WIRING2
 PATH & FILENAME: IP_PWP-d0785033\T21623_SGLDGN

CONDUCTOR COLOR CODE			
TO SIGNAL CABINET		TO DEVICE	
2-1/C#10	R	R	RED
	WH	O	YEL
		BL	GRN
		WH	NEU
		BLK	YLTA
		O/BLK	GLTA
		BL/BLK	SPR
		WH/BLK	BLK
		BLK	BRN
		G	
3/C#20	R OR O	R	RED
	WH OR YEL	O	YEL
	BLK OR BL	BL	GRN
		WH	NEU
		BLK	GLTA
2/C#14	BLK	R	DWK
	CLR	BL	WLK
		WH	NEU
2-1/C#6	BLK	BLK	SPR
	WH	WH	EVP/PB/FLASHER
		R	NEU

NOTE: TERMINAL BLOCK CONNECTIONS SHALL BE ARRANGED AS SPECIFIED ABOVE.



BY	DATE	REVISIONS
MAS	01-19-11	AS-BUILT MESU ADDED PHASE 8 PBS AND INDS. TE 5289
EJA	06-10-13	AS-BUILT OF SP 8825-356 (APS)

SYSTEM ID: 21623 T.E. 5637
 METER ADDRESS: 73RD AVE N
 MASTER ID: T.E.

WIRING DIAGRAM 2 OF 2
TRAFFIC CONTROL SIGNAL SYSTEM
TH 2ND AT 73RD AVE N
IN BROOKLYN PARK, BROOKLYN CENTER, HENNEPIN COUNTY

S.A.P. NO. _____ DRAWN BY: MAS CKD BY: MPG DATE: 5-24-12-1
 CERTIFIED BY: *Michael P. Libinsky* LIC. NO. 19863 DATE: 5-31-12
 STATE PROJ. NO. _____ SHEET NO. 4 OF 4 SHEETS