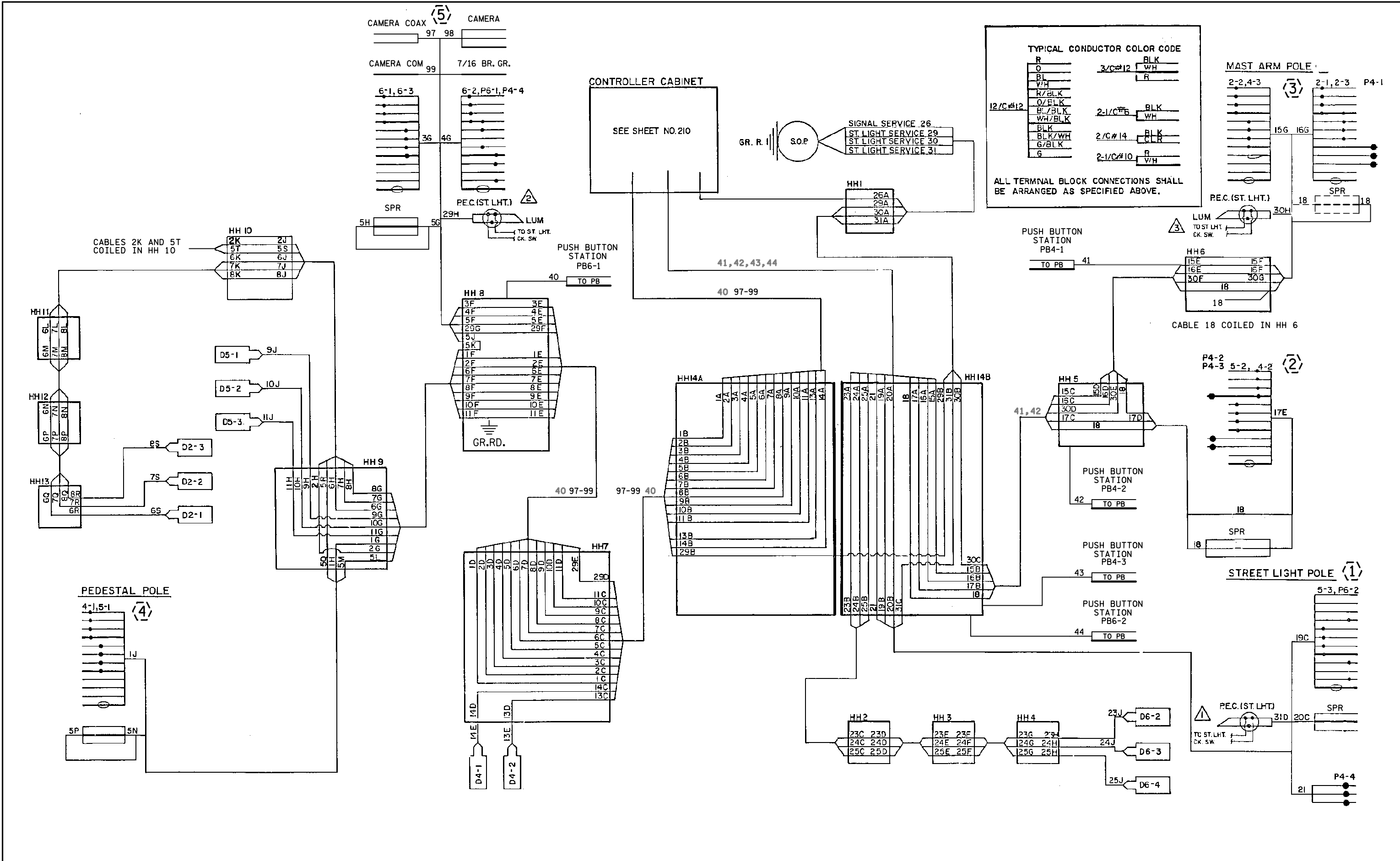


PLOTTED/REVISED: 29-NOV-2021

DISTRICT *: Metro
PLOT NAME: wiring diagram 1 of 2
FILENAME: Projects\DM_FOS\252\0000\Traffic\Signals\21_21622_70TH AVE N\735790\21622r_SGL.dgn



TYPICAL CONDUCTOR COLOR CODE

R	BLK
0	3/C#12 WH
BL	R
V/H	
R/BLK	
O/BLK	2-1/C#6 BLK
BL/BLK	WH/BLK
WH/BLK	
BLK	2/C#14 BLK
BLK/WH	CL R
G/BLK	
G	2-1/C#10 R
	WH

ALL TERMINAL BLOCK CONNECTIONS SHALL BE ARRANGED AS SPECIFIED ABOVE.

BY	DATE	REVISIONS
SJK	11/21	ADDED FIBER AND PTZ CAMERA SP 2748-62

SYSTEM ID: 1735790 T.E.
 METER ADDRESS:
 OLD SYSTEM ID:

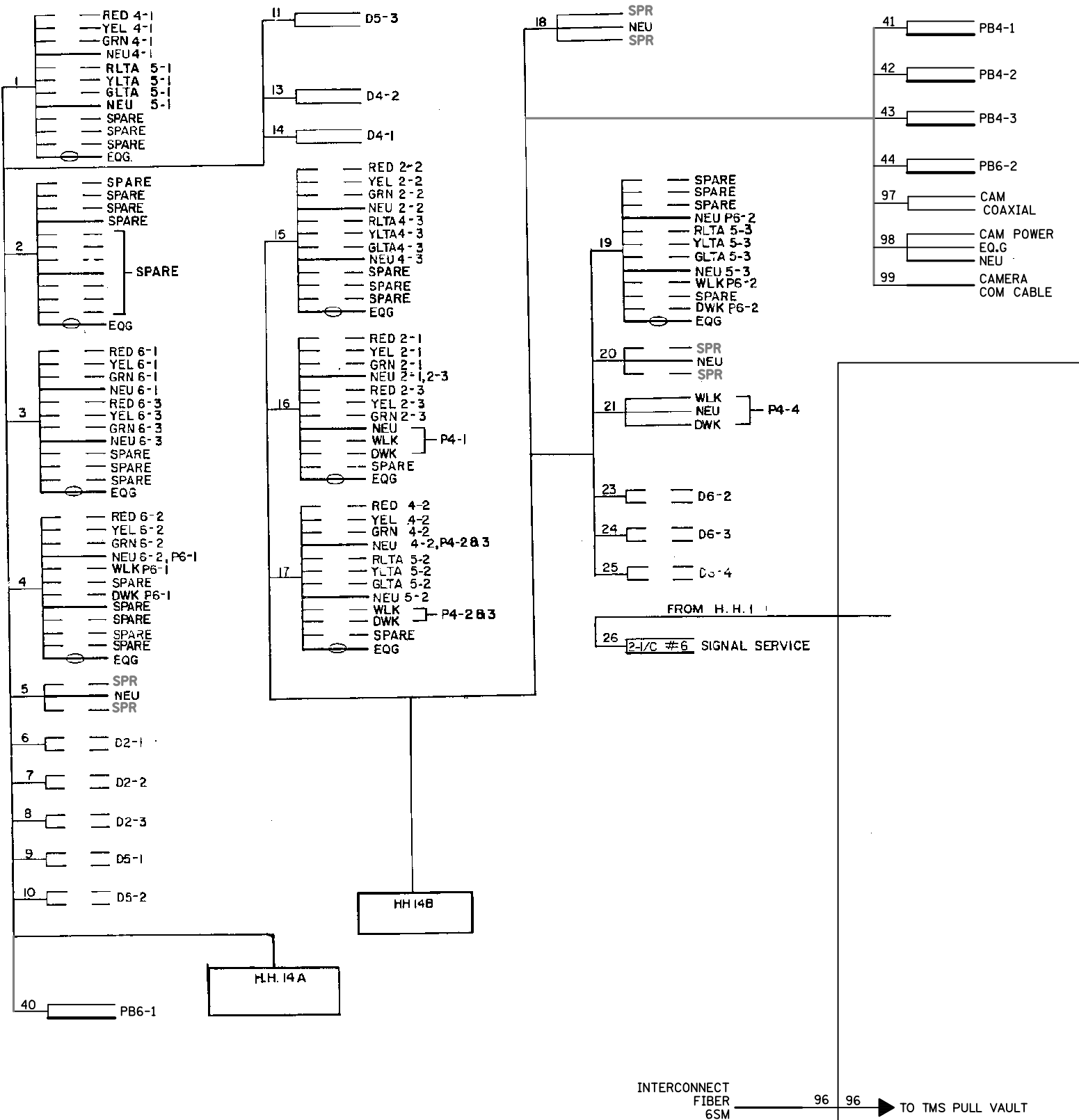
WIRING DIAGRAM 1 OF 2
TH 252 AT 70TH AVE N
IN BROOKLYN CENTER, HENNEPIN COUNTY

S.A.P. NO.	DRAWN BY:	CKD BY:	DATE:
CERTIFIED BY _____	LIC. NO. _____	DATE: _____	
STATE PROJ. NO.	(T.H.252)	SHEET NO. 3 OF 4 SHEETS	

PLOTTED/REVISED: 29-NOV-2021

DISTRICT *: Metro
 IPLOT NAME: wiring diagram 2 of 2
 FILENAME: Projects\DM_FOS\252\0000\Traffic\Signals\21_21622_70TH AVE N\1735790\T21622r_SGL.dgn

CONTROLLER CABINET



BY	DATE	REVISIONS
SJK	11/21	ADDED FIBER AND PTZ CAMERA SP 2748-62

SYSTEM ID: 1735790 T.E.
 METER ADDRESS:
 OLD SYSTEM ID:

WIRING DIAGRAM 2 OF 2
TH 252 AT 70TH AVE N
IN BROOKLYN CENTER, HENNEPIN COUNTY

S.A.P. NO.	DRAWN BY:	CKD BY:	DATE:
CERTIFIED BY _____ LIC. NO. _____		DATE: _____	
STATE PROJ. NO.	(T.H.252)	SHEET NO. 4 OF 4 SHEETS	

PLOTTED/REVISED: 6/17/2013

① STREET LIGHT POLE TYPE 12P-40
 200 WATT H.P.S. LUMINAIRE
 TYPE 10C AT 0 DEG
 2-CD PED INDS
 EXTEND INTO HH 14B:
 3" RSC
 1-12/C#12
 3-3/C#12
 2-1/C#10

② MAST ARM POLE TYPE A100-A-45
 ONE WAY SIGNAL OVERHEAD AT 45'
 TYPE 10C POLE MOUNTED AT 0 DEG
 2-CD PED INDS
 EXTEND INTO HH 5:
 3" RSC
 1-12/C#12
 2-3/C#12

⑤ MAST ARM POLE TYPE A100-A-40-D40-12
 ONE WAY SIGNAL OVERHEAD AT 40'
 ONE WAY SIGNAL OVERHEAD AT 28'
 200 WATT H.P.S. LUMINAIRE AT 355 DEG
 TYPE 10B POLE MOUNTED AT 270 DEG
 1-CD PED IND
 1-R9-3a SIGN (FACING POLE 4)
 EXTEND INTO HH 8:
 3" RSC
 2-12/C#12
 2-3/C#12
 2-1/C#10

③ MAST ARM POLE TYPE A100-A-40-D40-12
 ONE WAY SIGNAL OVERHEAD AT 40'
 ONE WAY SIGNAL OVERHEAD AT 28'
 200 WATT H.P.S. LUMINAIRE AT 355 DEG
 TYPE 10A POLE MOUNTED AT 270 DEG
 TYPE 10B POLE MOUNTED AT 0 DEG
 1-CD PED IND
 1-R9-3a SIGN (FACING SOUTH)
 EXTEND INTO HH 6:
 3" RSC
 2-12/C#12
 2-3/C#12
 2-1/C#10

④ 10' PEDESTAL POLE WITH FRANGIBLE BASE TYPE 2A
 EXTEND INTO HH 9:
 3" RSC
 1-12/C#12
 2-3/C#12

PED PB STA 4-1
 1-APS PB & SIGN (PB4-1)(RT ARROW)
 EXTEND INTO HH 6:
 1-2/C#14

PED PB STA 6-1
 1-APS PB & SIGN (PB6-1)(RT ARROW)
 EXTEND INTO HH 8:
 1-2/C#14

PED PB STA 4-3
 1-APS PB & SIGN (PB4-3)(DBL ARROW)
 EXTEND INTO HH 5:
 1-2/C#14

PED PB STA 6-2
 1-APS PB & SIGN (PB6-2)(LT ARROW)
 EXTEND INTO HH 14B:
 1-2/C#14

PED PB STA 4-2
 1-APS PB & SIGN (PB4-2)(RT ARROW)
 EXTEND INTO HH 14B:
 1-2/C#14

SIGNAL INDICATION SCHEDULE										
FACE	PHASE	FLASH	TYPE AND SIZE IN INCHES							
			R	Y	G	R	Y	G	MLK	DWK
2-1	2	R	12	12	12					
2-2	2	R	12	12	12					
2-3	2	R	12	12	12					
4-1	4	R	12	12	12					
4-2	4	R	12	12	12					
4-3	4	R	12	12	12					
5-1	5	R				12	12	12		
5-2	5	R				12	12	12		
5-3	5	R				12	12	12		
6-1	6	R	12	12	12					
6-2	6	R	12	12	12					
6-3	6	R	12	12	12					
P4-1	4								12	12
P4-2	4								12	12
P4-3	4								12	12
P4-4	4								12	12
P6-1	6								12	12
P6-2	6								12	12

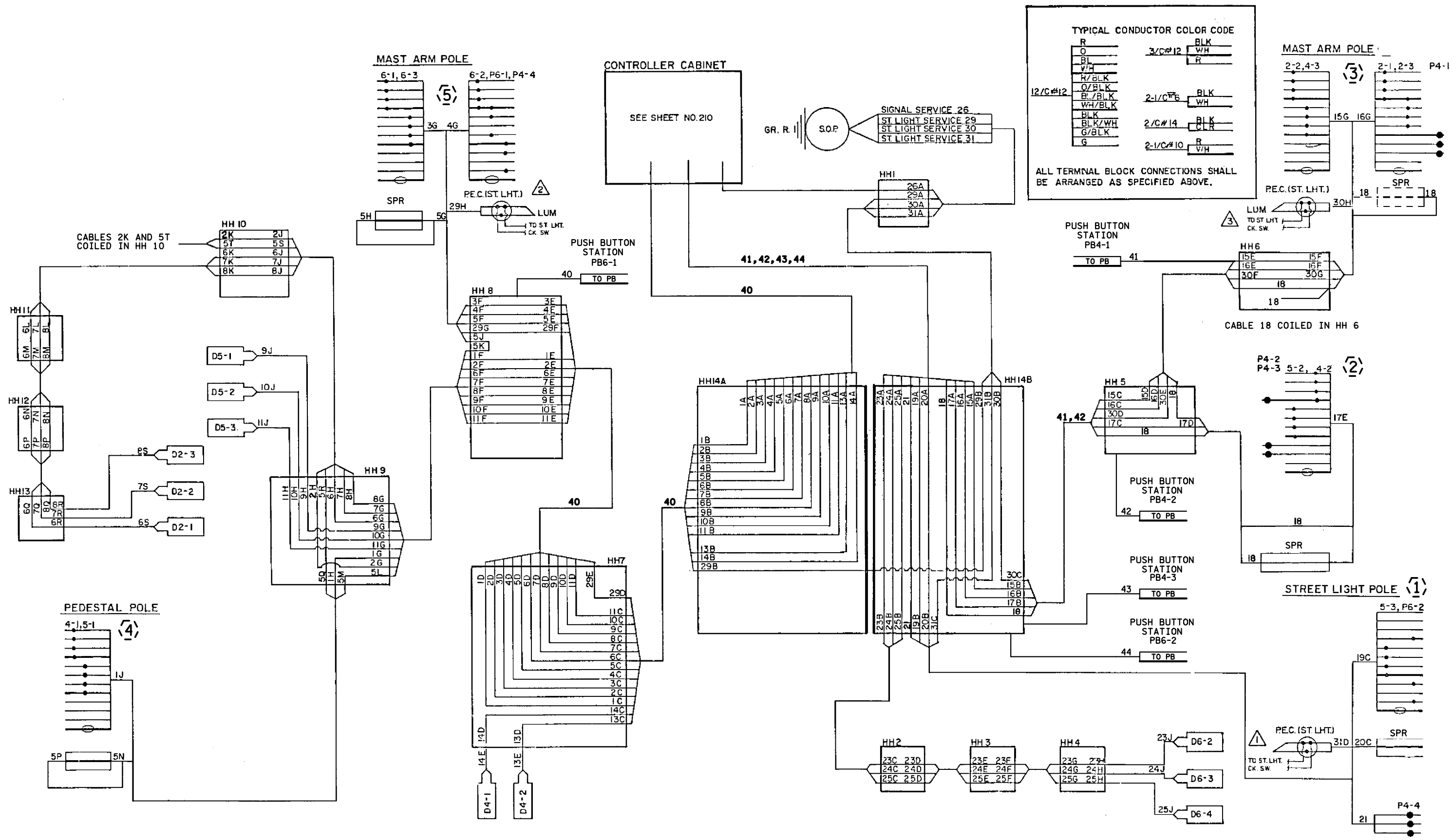
PVC LOOP DETECTORS			
DESIG-NATION	PHASE	SIZE IN FT	DISTANCE FROM STOP BAR
D2-1	2	6X6	380'
D2-2	2	6X6	380'
D2-3	2	6X6	380'
D4-1	4	6X6	30'
D4-2	4	6X6	0'
D5-1	5	6X6	30'
D5-2	5	6X6	30'
D5-3	5	2-6X6	0'
D6-2	6	6X6	380'
D6-3	6	6X6	380'
D6-4	6	6X6	380'

DISTRICT #: METRO
 IPLOT NAME: POLENOTES
 PATH & FILENAME: IP_PWP-d078503\T216221_SGL.dgn

BY	DATE	REVISIONS	SYSTEM ID: 21622	T.E. 5636	POLE NOTES, FACE CHART AND LOOP DETECTOR SIGNAL CHART TRAFFIC CONTROL SIGNAL SYSTEM TH 252 AT 70TH AVE N. IN BROOKLYN CENTER, HENNEPIN COUNTY	S.A.P. NO.	DRAWN BY: MAS	CKD BY: MPG	DATE: 5-24-12
SJK	08-12-10	UPDATED CROSSWALKS	METER ADDRESS:	T.E.		CERTIFIED BY: <i>Michael P. Subany</i>	LIC. NO. 19863	DATE: 5-31-12	
EJA	06-14-13	AS-BUILT OF SP 8825-356 (APS & CD PEDS)	MASTER ID:	T.E.		STATE PROJ. NO.	SHEET NO. 2 OF 4 SHEETS		

PLOTTED/REVISED: 6/17/2013

DISTRICT #: METRO
IPLOT NAME: WIRING
PATH & FILENAME: IP_PWP-d078503\T21622r_SGL.dgn



TYPICAL CONDUCTOR COLOR CODE

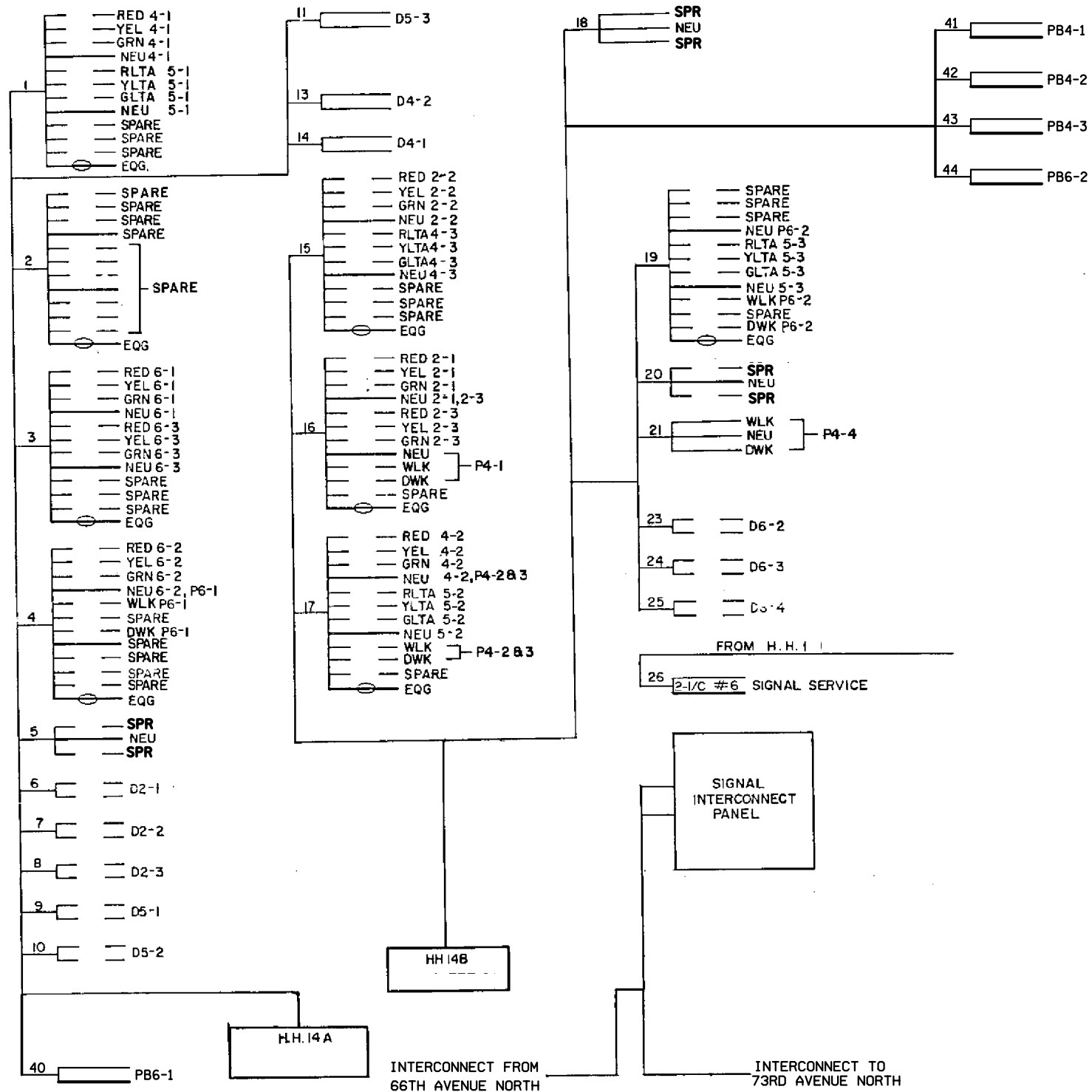
R	BLK
0	3/C#12 WH
BL	R
V/H	
R/BLK	
O/BLK	2-1/C#6 BLK
BL/BLK	WH
WH/BLK	
BLK	2/C#14 BLK
BLK/WH	CLR
G/BLK	
G	2-1/C#10 R
	V/H

ALL TERMINAL BLOCK CONNECTIONS SHALL BE ARRANGED AS SPECIFIED ABOVE.

BY	DATE	REVISIONS	SYSTEM ID: 21622	T.E. 5636	S.A.P. NO.	DRAWN BY: MAS	CKD BY: MPG	DATE: 5-24-12
SJK	08-12-10	UPDATED CROSSWALKS	METER ADDRESS:		CERTIFIED BY: <i>Michael P. Sulzbach</i>	LIC. NO. 19863	DATE: 5-31-12	
EJA	06-14-13	AS-BUILT OF SP 8825-356 (APS & CD PEDS)	MASTER ID:	T.E.	STATE PROJ. NO.	SHEET NO. 4 OF 4 SHEETS		

WIRING DIAGRAM (2 OF 2)
TRAFFIC CONTROL SIGNAL SYSTEM
TH 252 AT 70TH AVE N.
IN BROOKLYN CENTER, HENNEPIN COUNTY

CONTROLLER CABINET



PLOTTED/REVISED: 6/17/2013

DISTRICT #: METRO
 IPLOT NAME: WIRING2
 PATH & FILENAME: IP_PWP-d078503\T21622r_SGL.dgn

BY	DATE	REVISIONS	SYSTEM ID: 21622	T.E. 5636	WIRING DIAGRAM (1 OF 2) TRAFFIC CONTROL SIGNAL SYSTEM TH 252 AT 70TH AVE N. IN BROOKLYN CENTER, HENNEPIN COUNTY	S.A.P. NO.	DRAWN BY: MAS	CKD BY: MPG	DATE: 5-24-12
SJK	08-12-10	UPDATED CROSSWALKS	METER ADDRESS:			CERTIFIED BY: <i>Michael P. Subansky</i>	LIC. NO. 19863	DATE: 5-31-12	
EJA	06-14-13	AS-BUILT OF SP 8825-356 (APS & CD PEDS)	MASTER ID:	T.E.		LICENSED PROFESSIONAL ENGINEER			
						STATE PROJ. NO.	SHEET NO. 3 OF 4 SHEETS		