

PLOTTED/REVISED: 6/23/2015

DISTRICT #: METRO
PLOT NAME: layout
PATH & FILENAME: IP_PWP-d0784667T22195a-sgl.dgn

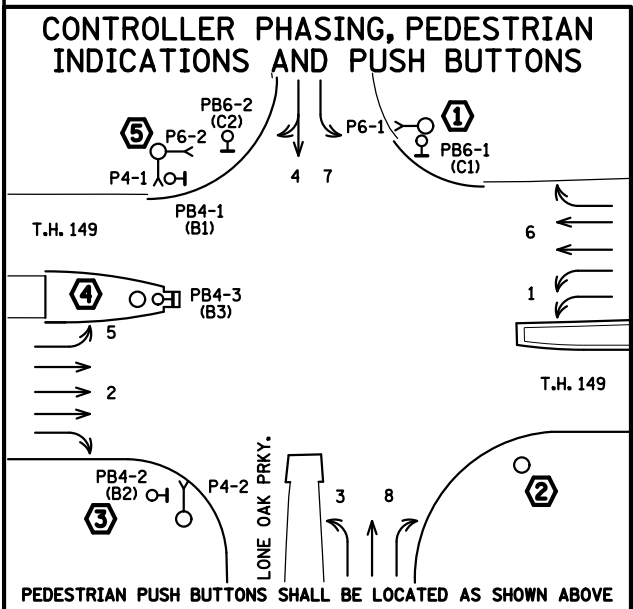
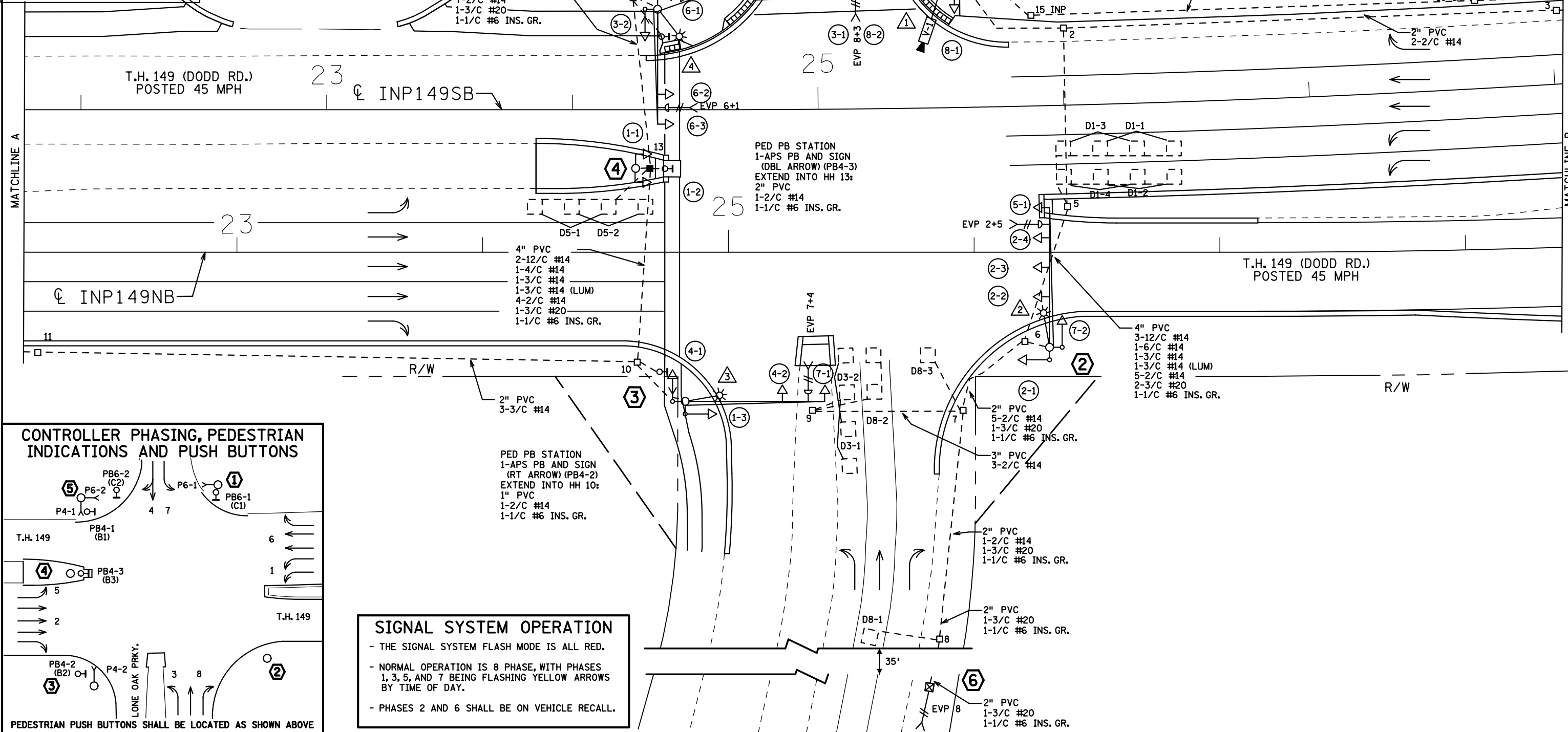
LOOP DETECTOR CHART		
NUMBER	SIZE (FT)	LOCATION
D1-1,D1-2,D5-1	2-6x6	20 & 50
D1-3,D1-4,D5-2	2-6x6	5 & 35
D2-1,D2-2,D2-3	6x6	400
D3-1,D7-1	2-6x6	20 & 50
D3-2,D7-2	2-6x6	5 & 35
D4-1	2-6x6	5 & 20
D6-1,D6-2	6x6	400
D8-1	6x6	120
D8-2	2-6x6	5 & 20
D8-3	6x6	5

-ALL LOOP DETECTORS ARE PVC

-LOCATION: DISTANCE FROM CROSSWALK/STOP BAR IN FEET

SIGNAL HEAD CHART					
FACE	R	Y	FYA	G	
1-1,1-2,1-3	←	←	←	←	
2-1,2-2,2-3,2-4	○	○	○	○	
3-1,3-2	←	←	←	←	
4-1,4-2	○	○	○	○	
5-1,5-2	←	←	←	←	
6-1,6-2,6-3	○	○	○	○	
7-1,7-2	←	←	←	←	
8-1,8-2	○	○	○	○	

-ALL SIGNAL INDICATIONS ARE 12" LED
-ALL SIGNAL HEADS ARE BLACK POLYCARBONITE WITH BACKGROUND SHIELDS
-FYA DENOTES FLASHING YELLOW ARROW



SIGNAL SYSTEM OPERATION

- THE SIGNAL SYSTEM FLASH MODE IS ALL RED.
- NORMAL OPERATION IS 8 PHASE, WITH PHASES 1, 3, 5, AND 7 BEING FLASHING YELLOW ARROWS BY TIME OF DAY.
- PHASES 2 AND 6 SHALL BE ON VEHICLE RECALL.

BY	DATE	REVISIONS
EJA	12-18-14	AS-BUILTS OF SP 1917-44 AND 8825-388

SYSTEM ID: 22195 T.E. 5947
 METER ADDRESS: 2811 DODD RD.
 MASTER ID: T.E.

INTERSECTION LAYOUT
 T.H. 149 (DODD RD.) AT LONE OAK PARKWAY
 IN EAGAN, DAKOTA COUNTY

DRAWN BY: BAM CKD BY: CDB DATE: 12/20/13
 CERTIFIED BY: *Michael P. Gelbrach* L.I.C. NO. 19863 DATE: 12/20/13
 (T.H. 149) SHEET NO. 1 OF 5 SHEETS

PLOTTED/REVISED: 6/23/2015

DISTRICT #: METRO
IPLOT NAME: matchline
PATH & FILENAME: IP_PWP-d0784667Y22195a_sg.dgn

- ⑤ 149SB STA. 24+34.7, 40.9' (LEFT)
PA100 POLE FOUNDATION
TYPE PA100-A-45-D40-9 (DAVIT AT 350 DEG)
1-ANGLE MOUNT SIGNAL OVERHEAD AT 0'
1-STRAIGHT MOUNT SIGNAL OVERHEAD AT 11'
2-ANGLE MOUNT SIGNALS AT 90 AND 180 DEG
2-ANGLE MOUNT C.D. PED INDS AT 90 AND 180 DEG
1-ONE WAY EVP DETECTOR AND CONFIRMATORY LIGHT (PHASES 6+1)
LUMINAIRE-LED
1-SIGN TYPE D SIGN (D-4)
3" PVC TO HH 14:
2-12/C #14
2-4/C #14
1-3/C #14
1-3/C #14 (LUM)
1-3/C #20
1-1/C #6 INS. GR.

- ④ 149SB STA. 24+25.6, 24.0' (RIGHT)
PA85 POLE FOUNDATION
TYPE PA85-AHST-4.5/4.5-203 (TEE POLE)
2-ANGLE MOUNT SIGNALS OVERHEAD AT 0' (0 DEG & 180 DEG)
1-R10-X12 SIGN
1-R4-7 SIGN (36x48) POLE MOUNTED
3" PVC TO HH 13:
1-12/C #14
1-6/C #14
1-1/C #6 INS. GR.

- ③ 149NB STA. 24+82.4, 60.7' (RIGHT)
PA100 POLE FOUNDATION
TYPE PA100-A-55-D40-9 (DAVIT AT 350 DEG)
1-ANGLE MOUNT SIGNAL OVERHEAD AT 0'
1-STRAIGHT MOUNT SIGNAL OVERHEAD AT 16'
2-ANGLE MOUNT SIGNALS AT 90 AND 180 DEG
1-ANGLE MOUNT C.D. PED HEAD AT 180 DEG
1-ONE WAY EVP DETECTOR AND CONFIRMATORY LIGHT (PHASES 4+7)
LUMINAIRE-LED
1-R10-X12 SIGN ADJACENT TO HEAD (7-1)
1-R9-3 SIGN (NO PED) FACING POLE 2
2-TYPE D SIGNS (D-1) & (D-2)
3" PVC TO HH 10:
2-12/C #14
1-4/C #14
1-3/C #14
1-3/C #14 (LUM)
1-3/C #20
1-1/C #6 INS. GR.

- ⑥ 149NB STA. 25+74, 206' (RIGHT)
PEDESTAL FOUNDATION
10' PEDESTAL POLE PLUS BASE (ALL ALUMINUM COMPONENTS)
1-ONE-WAY EVP DETECTOR (PHASE 8)
2" PVC TO HH 17:
1-3/C #20
1-1/C #6 INS. GR.

- ① 149SB STA. 25+51.2, 51.3' (LEFT)
PA100 POLE FOUNDATION
TYPE PA100-A-40-X6-350/CAM 400 (MOUNTED AT 350 DEG)
(INCLUDES LIGHTNING ROD, 7/16" GROUND BRAID, AND GROUND ROD)
VIDEO CAMERA
1-ANGLE MOUNT SIGNAL OVERHEAD AT 0'
1-STRAIGHT MOUNT SIGNAL OVERHEAD AT 11'
2-ANGLE MOUNT SIGNALS AT 90 AND 180 DEG
1-ANGLE MOUNT C.D. PED HEAD AT 90 DEG
1-ONE WAY EVP DETECTOR AND CONFIRMATORY LIGHT (PHASES 8+3) AT 4.5'
LUMINAIRE-LED
1-R10-X12 SIGN ADJACENT TO HEAD (3-1)
1-R9-3 SIGN (NO PED) FACING POLE 2
2-TYPE D SIGNS (D-1) & (D-2)
3" PVC TO HH 1:
2-12/C #14
1-4/C #14
1-3/C #14
1-3/C #14 (LUM)
1-3/C #20
1-7/16" GROUNDING BRAID TO GROUND ROD (FOR FUTURE)
1-3/C #14 (CAMERA POWER) (FOR FUTURE)
1-COM CABLE (FOR FUTURE)
1-COAXIAL CABLE (FOR FUTURE)
1-1/C #6 INS. GR.

- ② 149NB STA. 26+30.7, 38.7' (RIGHT)
PA100 POLE FOUNDATION
TYPE PA100-A-55-D40-9 (DAVIT AT 350 DEG)
1-ANGLE MOUNT SIGNAL OVERHEAD AT 0'
3-STRAIGHT MOUNT SIGNAL OVERHEAD AT 11', 23', AND 35'
2-ANGLE MOUNT SIGNALS AT 90 AND 180 DEG
1-ONE WAY EVP DETECTOR AND CONFIRMATORY LIGHT (PHASES 2+5)
LUMINAIRE-LED
1-R10-X12 SIGN ADJACENT TO HEAD (5-1)
2-R9-3 SIGNS (NO PED) FACING POLES 2 AND 3
1-SIGN TYPE D SIGN
3" PVC TO HH 6:
3-12/C #14
1-6/C #14
1-3/C #14
1-3/C #14 (LUM)
1-3/C #20
1-1/C #6 INS. GR.

- (A) EQUIPMENT PAD (SEE DETAIL SHEET)
SERVICE CABINET (SSB)

- SIGNAL CABINET AND CONTROLLER
4" PVC TO HH 1:
5-12/C #14
1-6/C #14
1-4/C #14
2-3/C #14
12-2/C #14
3-3/C #20
1-3/C #14 (CAMERA POWER)
1-COM CALBE
1-COAXIAL CABLE
1-1/C #6 INS. GR.

- 2-2" AND 1-3" PVC STUBBED OUT (CAPPED BOTH ENDS)
3/4" PVC STUBBED OUT (FOR TELEPHONE LINE)
1-2" PVC

- CONTROLLER CABINET TO SERVICE CABINET:
2" PVC
2-1/C #6
1-1/C #6 INS. GR.

- CONTROLLER CABINET TO SERVICE CABINET (COMMS):
2" PVC
1-6PR #19

- (B) WOOD POLE SOP (XCEL)
2" PVC AND WEATHERHEAD
EXTEND INTO HH INP 17
2" PVC
3-1/C #2

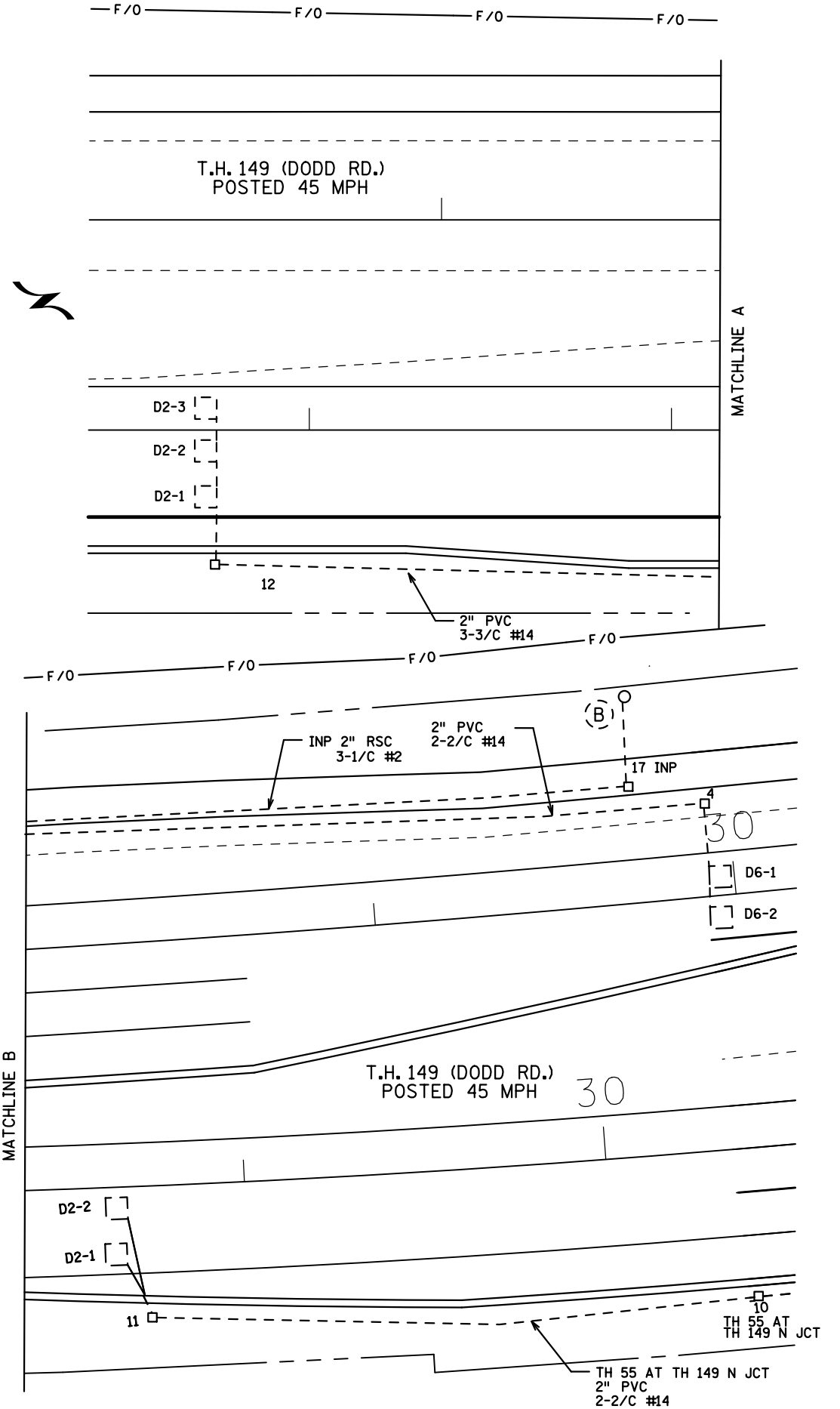
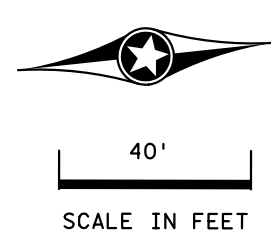
- 4" PVC TO HH 16:
5-12/C #14
1-6/C #14
3-4/C #14
2-3/C #14
12-2/C #14
2-3/C #20
1-1/C #6 INS. GR.

- CONTROLLER CABINET TO TMS VAULT:
1.5" PVC
1-6SM F/O CABLE

- SERVICE CABINET TO HH 15 (INP):
2" PVC
3-1/C #2

- SERVICE CABINET TO HH 1:
2" PVC
4-3/C #14 (LUM)

- HH 1 TO HH 16:
2" PVC
2-3/C #14 (LUM)



BY	DATE	REVISIONS
EJA	12-18-14	AS-BUILTS OF SP 1917-44 AND 8825-388

SYSTEM ID: 22195	T.E. 5947
METER ADDRESS: 2811 DODD RD.	
MASTER ID:	T.E.

INTERSECTION LAYOUT
T.H. 149 (DODD RD.) AT LONE OAK PARKWAY
IN EAGAN, DAKOTA COUNTY

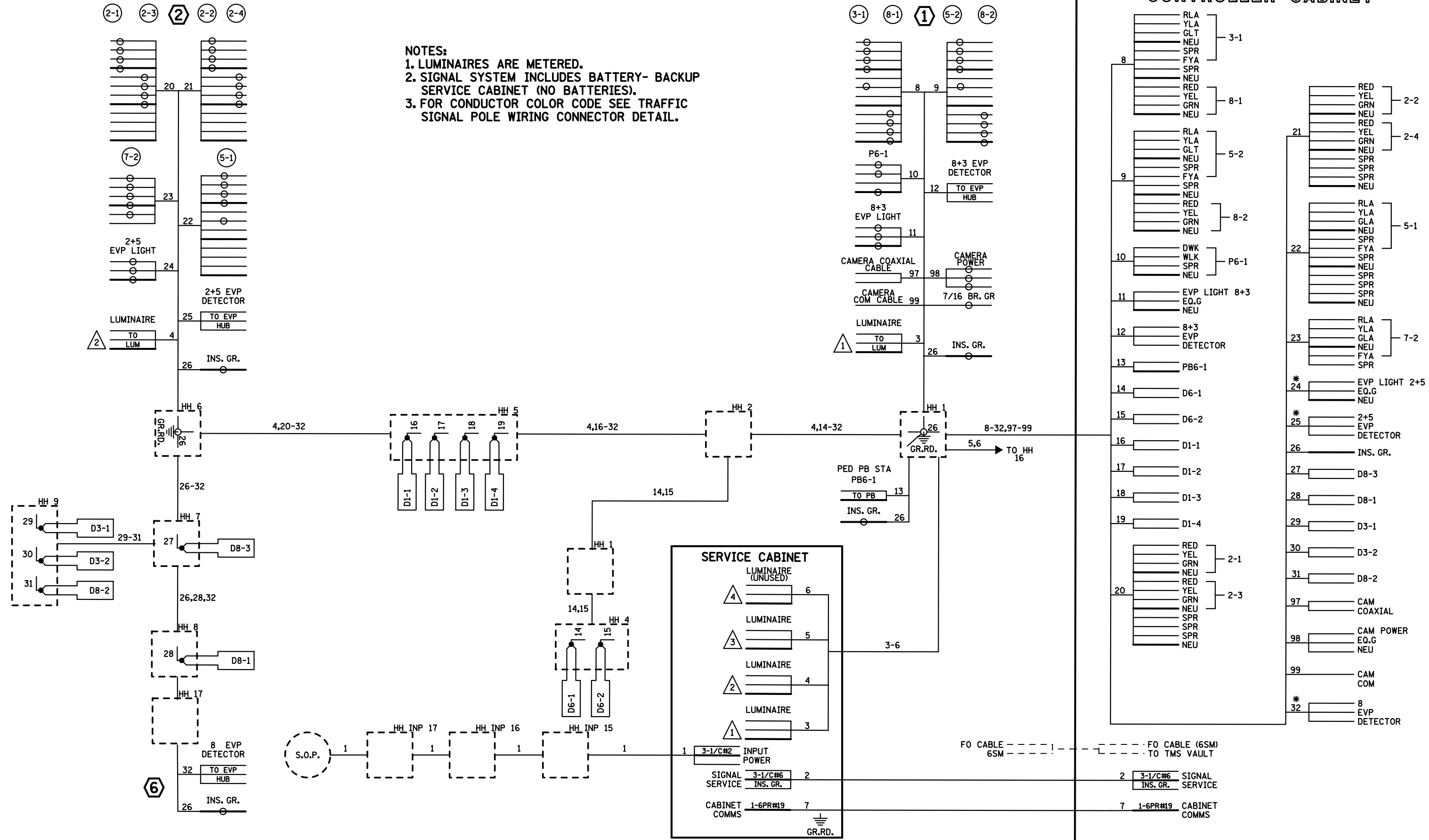
CERTIFIED BY: <i>Michael P. Gelinsky</i> (T.H. 149)	LIC. NO. 19863	DATE: 12/20/13	DRAWN BY: BAM	CKD BY: CDB	DATE: 12/20/13
			SHEET NO. 2 OF 5 SHEETS		

PLOTTED/REVISED: 6/23/2015

DISTRICT #: METRO
PLOT NAME: wire 1
PATH & FILENAME: IP_PWP-d0784667Y22195a_sg.dgn

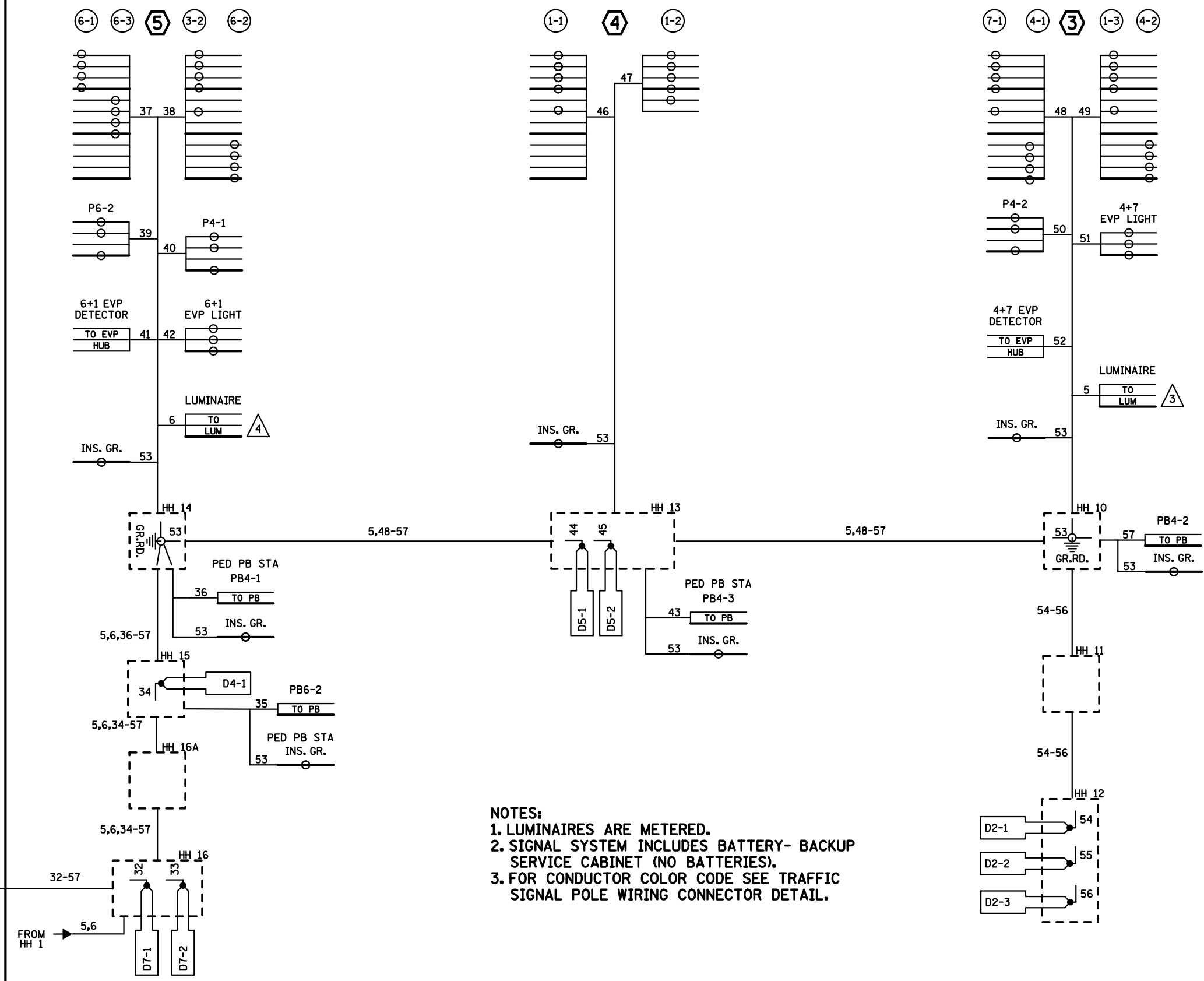
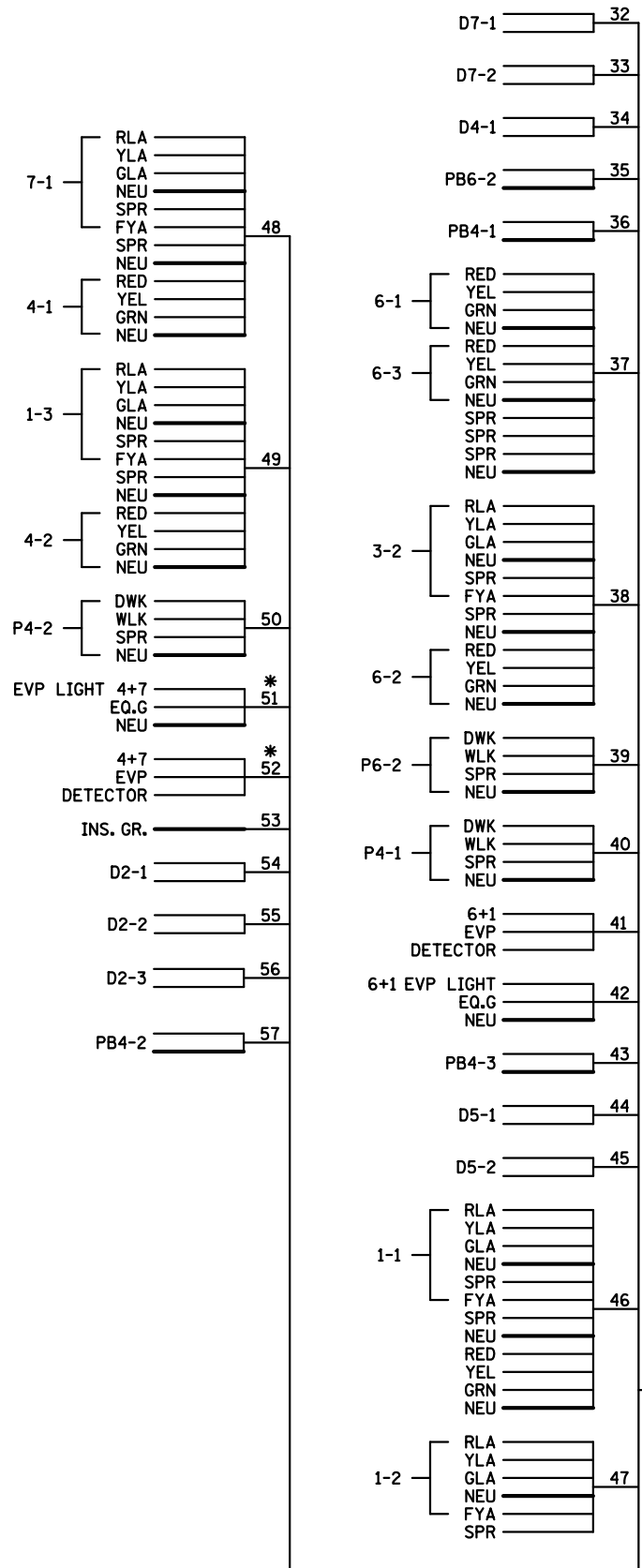
CONTROLLER CABINET

- NOTES:**
1. LUMINAIRES ARE METERED.
 2. SIGNAL SYSTEM INCLUDES BATTERY- BACKUP SERVICE CABINET (NO BATTERIES).
 3. FOR CONDUCTOR COLOR CODE SEE TRAFFIC SIGNAL POLE WIRING CONNECTOR DETAIL.



BY	DATE	REVISIONS	SYSTEM ID: 22195	T.E. 5947	CERTIFIED BY: <i>Michael P. Gelinsky</i>	LIC. NO. 19863	DATE: 12/20/13
EJA	12-18-14	AS-BUILTS OF SP 1917-44 AND 8825-388	METER ADDRESS: 2811 DODD RD.		(T.H. 149)		
			MASTER ID:	T.E.			
FIELD WIRING DIAGRAM (1 OF 2) T.H. 149 (DODD RD.) AT LONE OAK PARKWAY IN EAGAN, DAKOTA COUNTY					SHEET NO. 3 OF 5 SHEETS		

CONTROLLER CABINET



- NOTES:**
- LUMINAIRES ARE METERED.
 - SIGNAL SYSTEM INCLUDES BATTERY- BACKUP SERVICE CABINET (NO BATTERIES).
 - FOR CONDUCTOR COLOR CODE SEE TRAFFIC SIGNAL POLE WIRING CONNECTOR DETAIL.

DISTRICT #: METRO
 IPLOT NAME: wire 2
 PATH & FILENAME: IP_PWP-d0784667Y22195a_sg.dgn
 PLOTTED/REVISED: 6/23/2015

BY	DATE	REVISIONS
EJA	12-18-14	AS-BUILTS OF SP 1917-44 AND 8825-388

SYSTEM ID: 22195 T.E. 5947
 METER ADDRESS: 2811 DODD RD.
 MASTER ID: T.E.

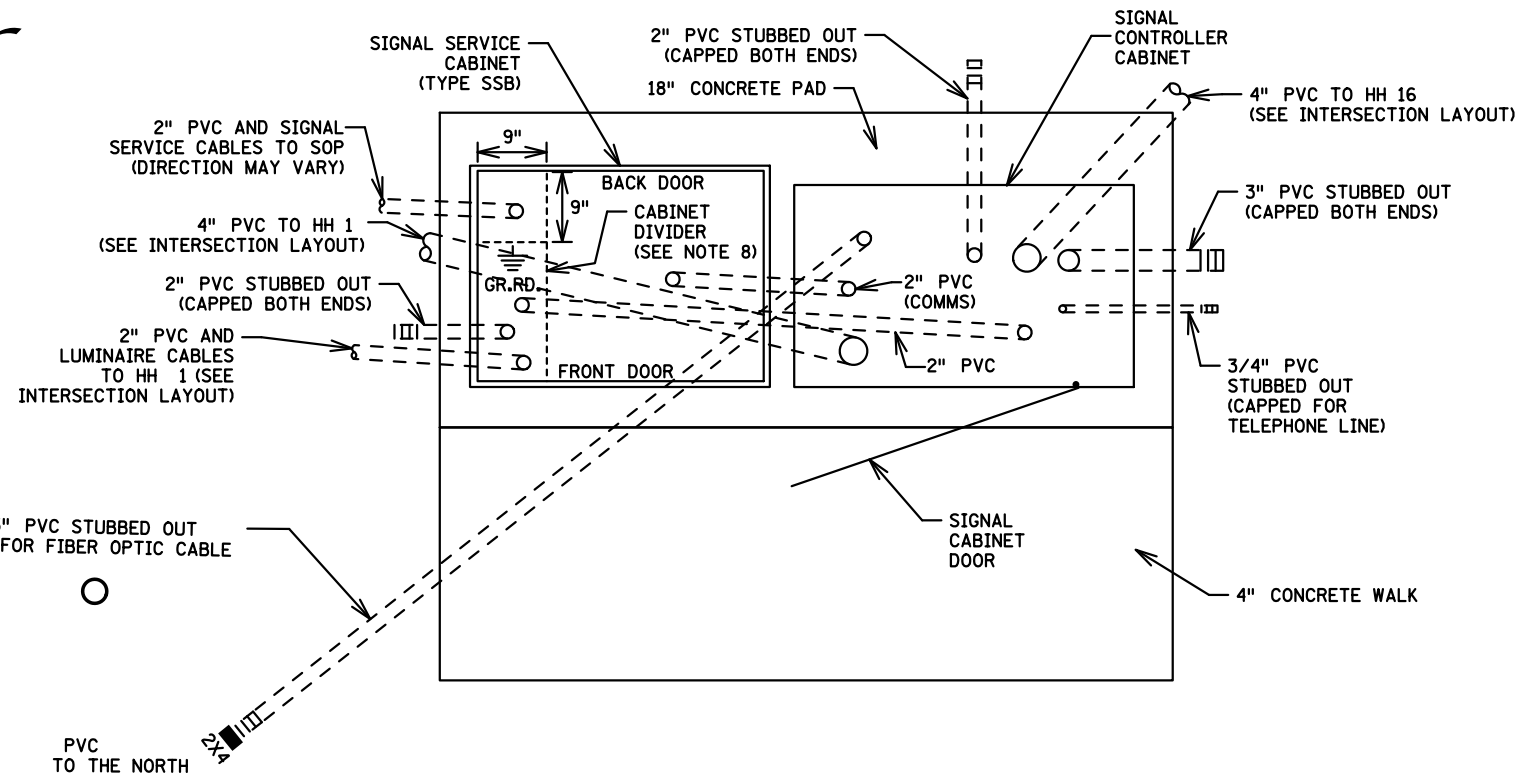
FIELD WIRING DIAGRAM (2 OF 2)
T.H. 149 (DODD RD.) AT LONE OAK PARKWAY
IN EAGAN, DAKOTA COUNTY

DRAWN BY: BAM CKD BY: CDB DATE: 12/20/13	CERTIFIED BY: <i>Michael P. Gubinsky</i> LIC. NO. 19863 DATE: 12/20/13 (T.H. 149)	SHEET NO. 4 OF 5 SHEETS
--	--	-------------------------

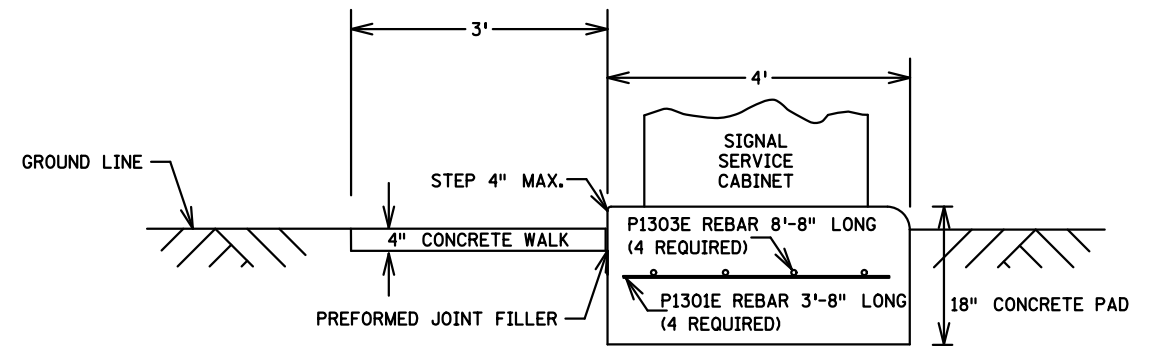
TYPICAL PAD WITH CONTROLLER CABINET AND SERVICE CABINET

SEE INTERSECTION LAYOUT FOR CABLE INFORMATION (NOT TO SCALE)

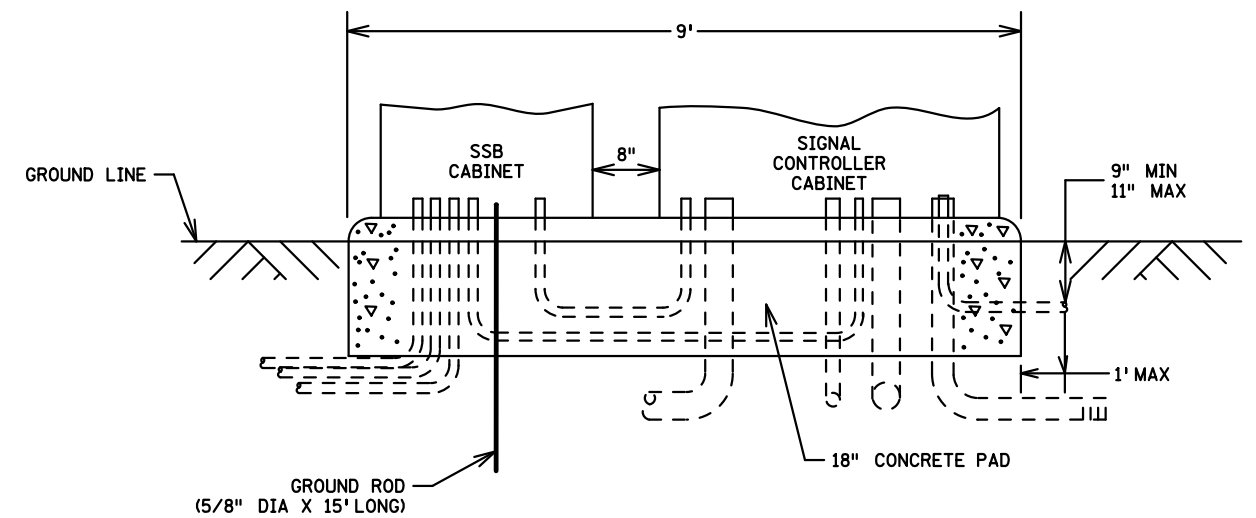
PLAN VIEW



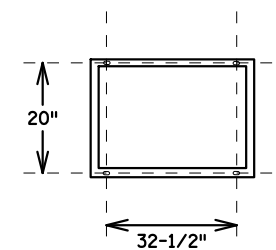
SIDE VIEW



FRONT VIEW

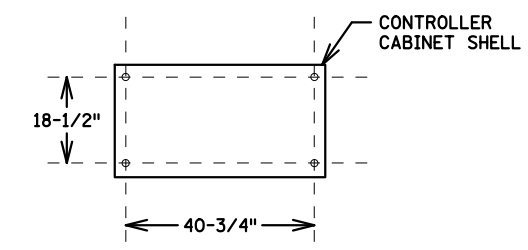


S.S.B. SERVICE CABINET BOLT PATTERN



DIMENSION SHOWN ARE CENTER ROD TO CENTER ROD

CONTROLLER CABINET TYPE "P" & "R" BOLT PATTERN



DIMENSION SHOWN ARE CENTER ROD TO CENTER ROD

PLOTTED/REVISED: 6/23/2015

DISTRICT #: METRO
IPLOT NAME: pad detail
PATH & FILENAME: IP_PWP-d0784667Y22195a_sgl.dgn

BY	DATE	REVISIONS
EJA	12-18-14	AS-BUILTS OF SP 1917-44 AND 8825-388

SYSTEM ID: 22195	T.E. 5947
METER ADDRESS: 2811 DODD RD.	
MASTER ID:	T.E.

EQUIPMENT PAD LAYOUT
T.H 149 (DODD RD.) AT LONE OAK PARKWAY
IN EAGAIN, DAKOTA COUNTY

CERTIFIED BY: <i>Michael P. Gelbrach</i> (T.H. 149)	LIC. NO. 19863	DATE: 12/20/13	DRAWN BY: BAM	CKD BY: CDB	DATE: 12/20/13
SHEET NO. 5 OF 5 SHEETS					