

LOOP DETECTOR CHART

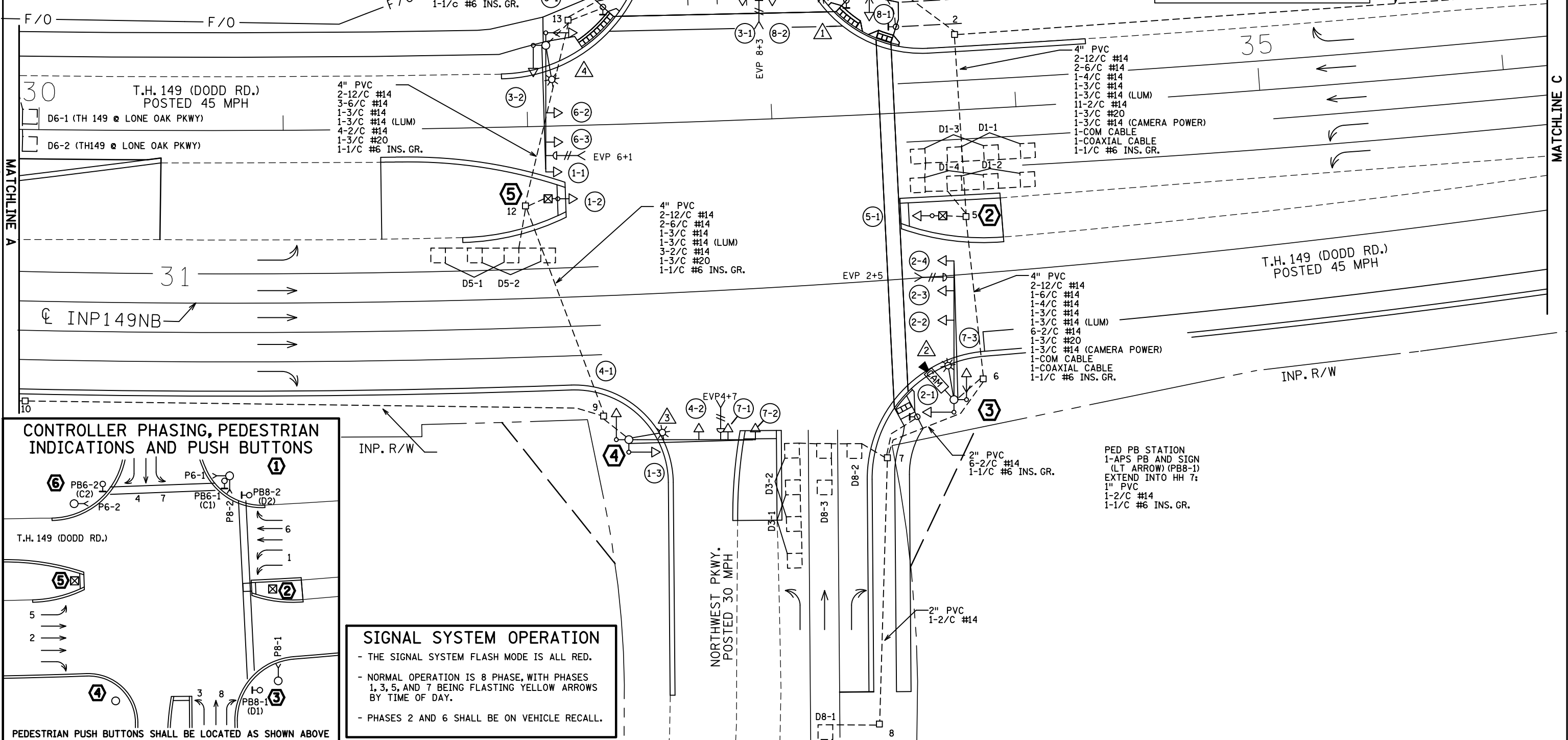
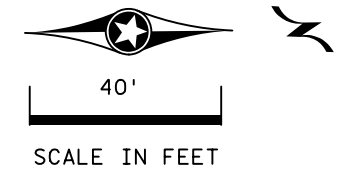
NUMBER	SIZE (FT)	LOCATION
D1-1,D1-2,D5-1	2-6x6	20 & 50
D1-3,D1-4,D5-2	2-6x6	5 & 35
D2-1,D2-2,D2-3	6x6	400
D3-1,D7-1,D7-3	2-6x6	20 & 50
D3-2,D7-2,D7-4	2-6x6	5 & 35
D4-1,D8-1	6x6	120
D8-2	6x6	5
D4-2,D8-3	2-6x6	5 & 20
D6-1,D6-2	6x6	400

-ALL LOOP DETECTORS ARE PVC
 -LOCATION: DISTANCE FROM CROSSWALK/STOP BAR IN FEET

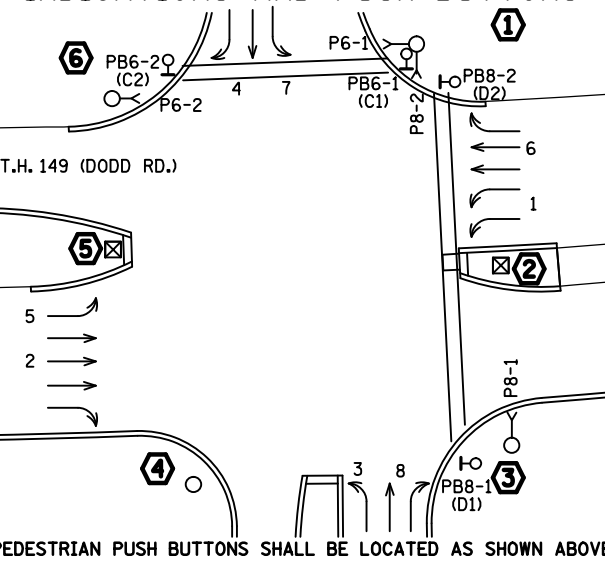
SIGNAL HEAD CHART

FACE	R	Y	FYA	G
1-1,1-2,1-3	◀	◀	◀	◀
2-1,2-2,2-3,2-4	○	○	○	○
3-1,3-2	◀	◀	◀	◀
4-1,4-2	○	○	○	○
5-1,5-2	◀	◀	◀	◀
6-1,6-2,6-3	○	○	○	○
7-1,7-2,7-3	◀	◀	◀	◀
8-1,8-2	○	○	○	○

-ALL SIGNAL INDICATIONS ARE 12" LED
 -ALL SIGNAL HEADS ARE BLACK POLYCARBONITE WITH BACKGROUND SHIELDS
 -FYA DENOTES FLASHING YELLOW ARROW



CONTROLLER PHASING, PEDESTRIAN INDICATIONS AND PUSH BUTTONS



SIGNAL SYSTEM OPERATION

- THE SIGNAL SYSTEM FLASH MODE IS ALL RED.
- NORMAL OPERATION IS 8 PHASE, WITH PHASES 1, 3, 5, AND 7 BEING FLASHING YELLOW ARROWS BY TIME OF DAY.
- PHASES 2 AND 6 SHALL BE ON VEHICLE RECALL.

BY	DATE	REVISIONS
EJA	12-15-14	AS-BUILTS OF SP 1917-44 AND 8825-388
EJA	07-06-15	D2-3 ADDED BY CONTRACTOR ON 5-11-15
HRL	08-26-22	UPDATE RECORD PLAN, REDLINES FROM LISA LONIEN

SYSTEM ID: 1735921 T.E. 5946
 METER ADDRESS: 2565 HIGHWAY 149
 MASTER ID: 21840 T.E.

INTERSECTION LAYOUT
T.H. 149 (DODD RD.) AT BLUE GENTIAN RD./
VIKINGS PKWY.
IN EAGAN, DAKOTA COUNTY

BY: BAM	CKD BY: CDB	DATE: 12/20/13
CERTIFIED BY: _____	LIC. NO. 19863	DATE: 12/20/13
(T.H. 149)	SHEET NO.	1 OF 5 SHEETS

DISTRICT #: Metro
 PLOT NAME: T21840c_sgl
 PATH & FILENAME: Projects\DM_POS\49\0000\Traffic\Signals\376_21840 (Blue Gentian Rd - Vikings Pkwy)\T21840c_sgl.dwg/REVISED: 26-AUG-2022

DISTRICT #: Metro
 PLOT NAME: T21840a_sgl
 PATH & FILENAME: Projects\DM_POS\49\0000\Traffic\Signals\376_21840 (Blue Gentian Rd - Vikings Pkwy)\1735921\T21840a_sgl.dwg/REVISED: 26-AUG-2022

6 149SB STA. 32+08.3, 33.1' (LEFT)
 PA100 POLE FOUNDATION
 TYPE PA100-A-50-D40-9 (DAVIT AT 350 DEG)
 1-ANGLE MOUNT SIGNAL OVERHEAD AT 0'
 2-STRAIGHT MOUNT SIGNAL OVERHEAD AT 11' AND 23'
 2-ANGLE MOUNT SIGNALS AT 90 AND 180 DEG
 1-ANGLE MOUNT C.D. PED HEAD AT 180 DEG
 1-ONE WAY EVP DETECTOR AND
 CONFIRMATORY LIGHT (PHASES 6+1)
 LUMINAIRE-LED
 1-R10-X12 SIGN ADJACENT TO HEAD (1-1)
 2-R6-1 SIGNS (ONE WAY)
 1-R9-3 SIGN (NO PED) FACING POLE 5
 1-TYPE D SIGN (D-6)
 3" PVC TO HH 13:
 2-12/C #14
 1-6/C #14
 1-4/C #14
 1-3/C #14
 1-3/C #14 (LUM)
 1-3/C #20
 1-1/C #6 INS. GR.

5 149SB STA. 32+07.2, 30' (RIGHT)
 PEDESTAL FOUNDATION
 TYPE 5A -12' PEDESTAL POLE PLUS BASE
 (ALL ALUMINUM COMPONENTS)
 1-SIGNAL
 2-R9-3 SIGNS (FACING POLES 4 AND 6)
 3" PVC TO HH 12:
 1-6/C #14
 1-1/C #6 INS. GR.

4 149NB STA. 32+82.6, 59.2' (RIGHT)
 PA100 POLE FOUNDATION
 TYPE PA100-A-45-D40-9 (DAVIT AT 350 DEG)
 1-5' MAST ARM EXTENSION
 1-ANGLE MOUNT SIGNAL OVERHEAD AT END OF MAST ARM EXTENSION
 1-STRAIGHT MOUNT (STRAP-ON) SIGNAL OVERHEAD AT 5.5'
 1-STRAIGHT MOUNT SIGNAL OVERHEAD AT 17'
 2-ANGLE MOUNT SIGNALS AT 90 AND 180 DEG
 1-ONE WAY EVP DETECTOR AND
 CONFIRMATORY LIGHT (PHASES 4+7)
 LUMINAIRE-LED
 1-R10-X12 SIGN ADJACENT TO HEAD (7-1)
 2-R9-3 SIGNS (NO PED) FACING POLES 5 AND 3
 2-TYPE D SIGNS (D-1) & (D-2)
 3" PVC TO HH 9:
 2-12/C #14
 2-6/C #14
 1-3/C #14
 1-3/C #14 (LUM)
 1-3/C #20
 1-1/C #6 INS. GR.

A EQUIPMENT PAD (SEE DETAIL SHEET)
 SERVICE CABINET (SSB)
 SIGNAL CABINET AND CONTROLLER
 4" PVC TO HH 1: 1.5" PVC TO TMS
 4-12/C #14 1-6SM FO CABLE (6SM PIGTAIL)
 2-6/C #14
 3-4/C #14
 2-3/C #14
 13-2/C #14
 2-3/C #20
 1-3/C #14 (CAMERA POWER)
 1-COM CABLE (FOR FUTURE)
 1-COAXIAL CABLE
 1-1/C #6 INS. GR.
 2-2" AND 1 3/4" PVC STUBBED OUT (CAPPED BOTH ENDS)

 3/4" PVC STUBBED OUT (FOR TELEPHONE LINE)
 1-2" PVC

 CONTROLLER CABINET TO SERVICE CABINET:
 2" PVC
 2-1/C #6
 1-1/C #6 INS. GR.
 2" PVC
 1-6PR #19 (COMMS)

1 149SB STA. 33+37.2, 51.3' (LEFT)
 PA100 POLE FOUNDATION
 TYPE PA100-A-45-D40-9 (DAVIT AT 350 DEG)
 1-ANGLE MOUNT SIGNAL OVERHEAD AT 0'
 1-STRAIGHT MOUNT SIGNAL OVERHEAD AT 11'
 2-ANGLE MOUNT SIGNALS AT 90 AND 180 DEG
 2-ANGLE MOUNT C.D. PED HEAD AT 90 AND 180 DEG
 1-ONE WAY EVP DETECTOR AND
 CONFIRMATORY LIGHT (PHASES 8+3)
 LUMINAIRE-LED
 1-R10-X12 SIGN ADJACENT TO HEAD (3-1)
 2-TYPE D SIGNS (D-1) & (D-2)
 3" PVC TO HH 1:
 2-12/C #14
 2-4/C #14
 1-3/C #14
 1-3/C #14 (LUM)
 1-3/C #20
 1-1/C #6 INS. GR.

2 149SB 33+67.8, 42.9' (RIGHT)
 PEDESTAL FOUNDATION
 TYPE 5A -14' PEDESTAL POLE PLUS BASE
 (ALL ALUMINUM COMPONENTS)
 1-SIGNAL
 1-R10-X12 SIGN 36" x 42"
 3" PVC TO HH 5:
 1-6/C #14
 1-1/C #6 INS. GR.

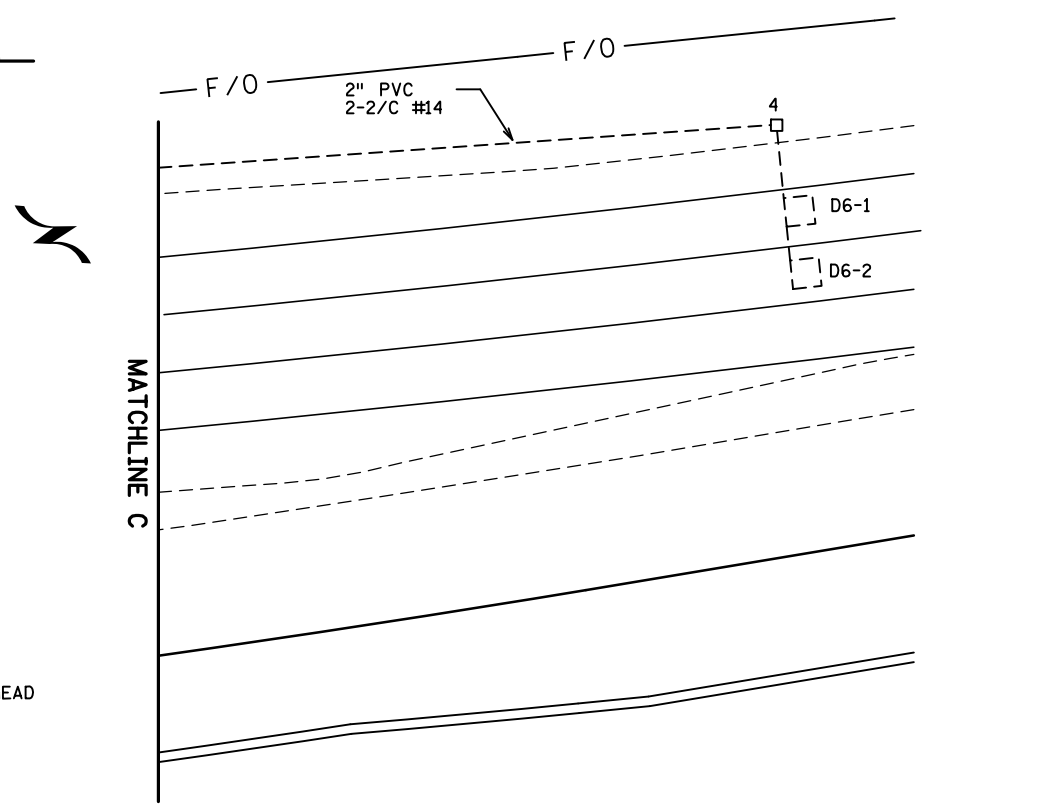
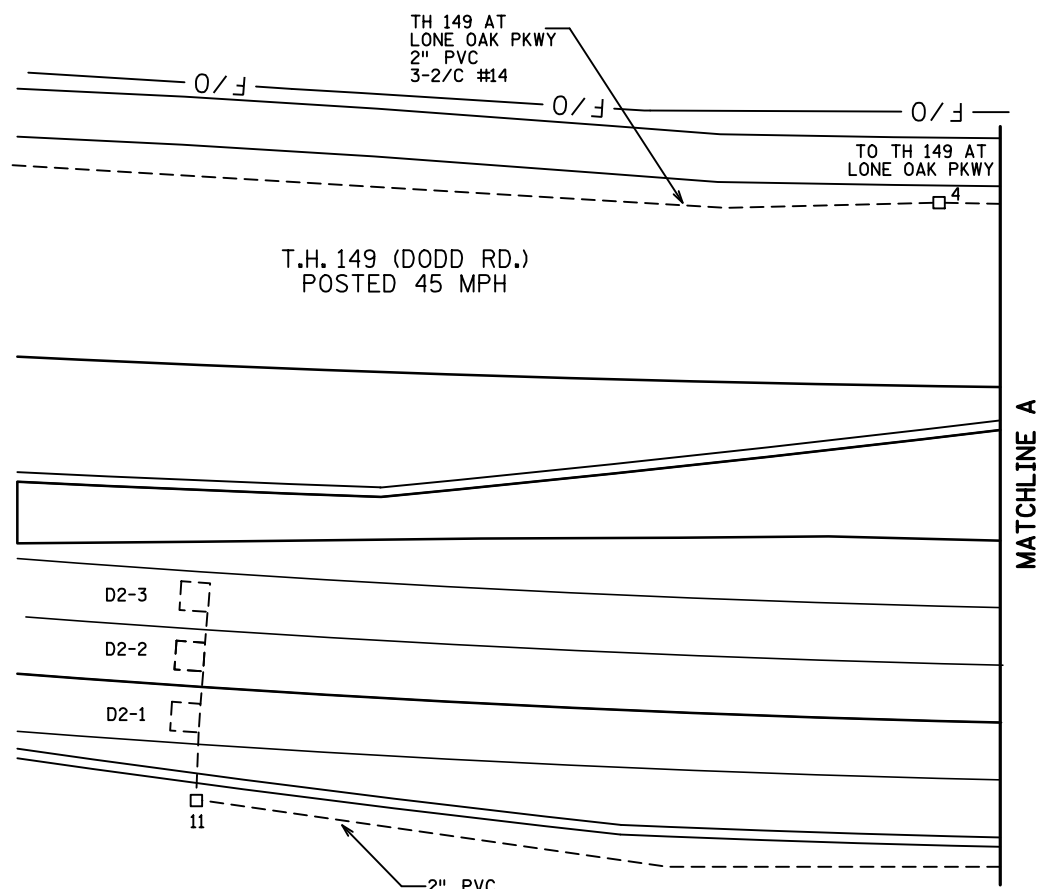
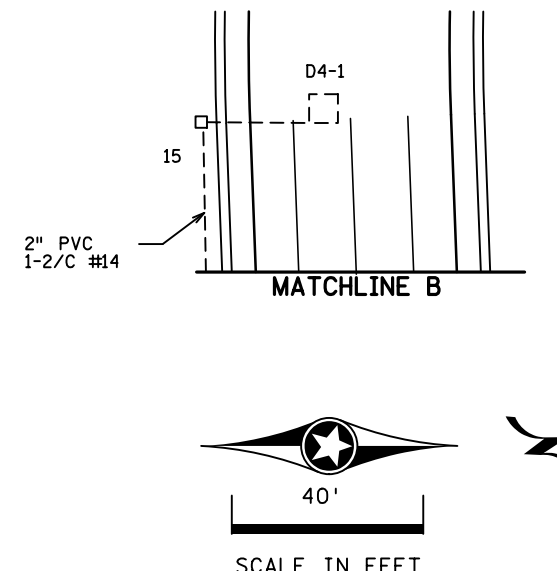
3 149NB STA. 34+14.5, 50.7' (RIGHT)
 PA100 POLE FOUNDATION
 TYPE PA100-A-55-X6-350/CAM 400 (MOUNTED AT 350 DEG)
 (INCLUDES LIGHTNING ROD, 7/16" GROUND BRAID, AND GROUND ROD)
 1-VIDEO CAMERA
 1-ANGLE MOUNT SIGNAL OVERHEAD AT 0'
 2-STRAIGHT MOUNT SIGNALS OVERHEAD AT 11' AND 23'
 2-ANGLE MOUNT SIGNALS AT 90 AND 180 DEG
 1-ANGLE MOUNT C.D. PED HEAD AT 90 DEG
 1-ONE WAY EVP DETECTOR AND
 CONFIRMATORY LIGHT (PHASES 2+5)
 LUMINAIRE-LED
 2-R6-1 SIGNS (ONE WAY)
 1-R9-3 SIGN (NO PED) FACING POLE 4
 3-TYPE D SIGNS (D-3), (D-4), & (D-5)
 3" PVC TO HH 6:
 2-12/C #14
 1-6/C #14
 1-4/C #14
 1-3/C #14
 1-3/C #14 (LUM)
 1-3/C #20
 1-7/16" GROUNDING BRAID TO GROUND ROD
 1-3/C #14 (CAMERA POWER)
 1-COM CABLE
 1-COAXIAL CABLE
 1-1/C #6 INS. GR.

4" PVC TO HH 16:
 4-12/C #14
 4-6/C #14
 1-4/C #14
 2-3/C #14
 14-2/C #14
 2-3/C #20
 1-1/C #6 INS. GR.

 SERVICE CABINET TO POLE MOUNTED TRANSFORMER:
 2" PVC
 3-1/C #2

 SERVICE CABINET TO HH 1:
 2" PVC
 4-3/C #14 (LUM)

 HH 1 TO HH 16:
 2" PVC
 2-3/C #14 (LUM)



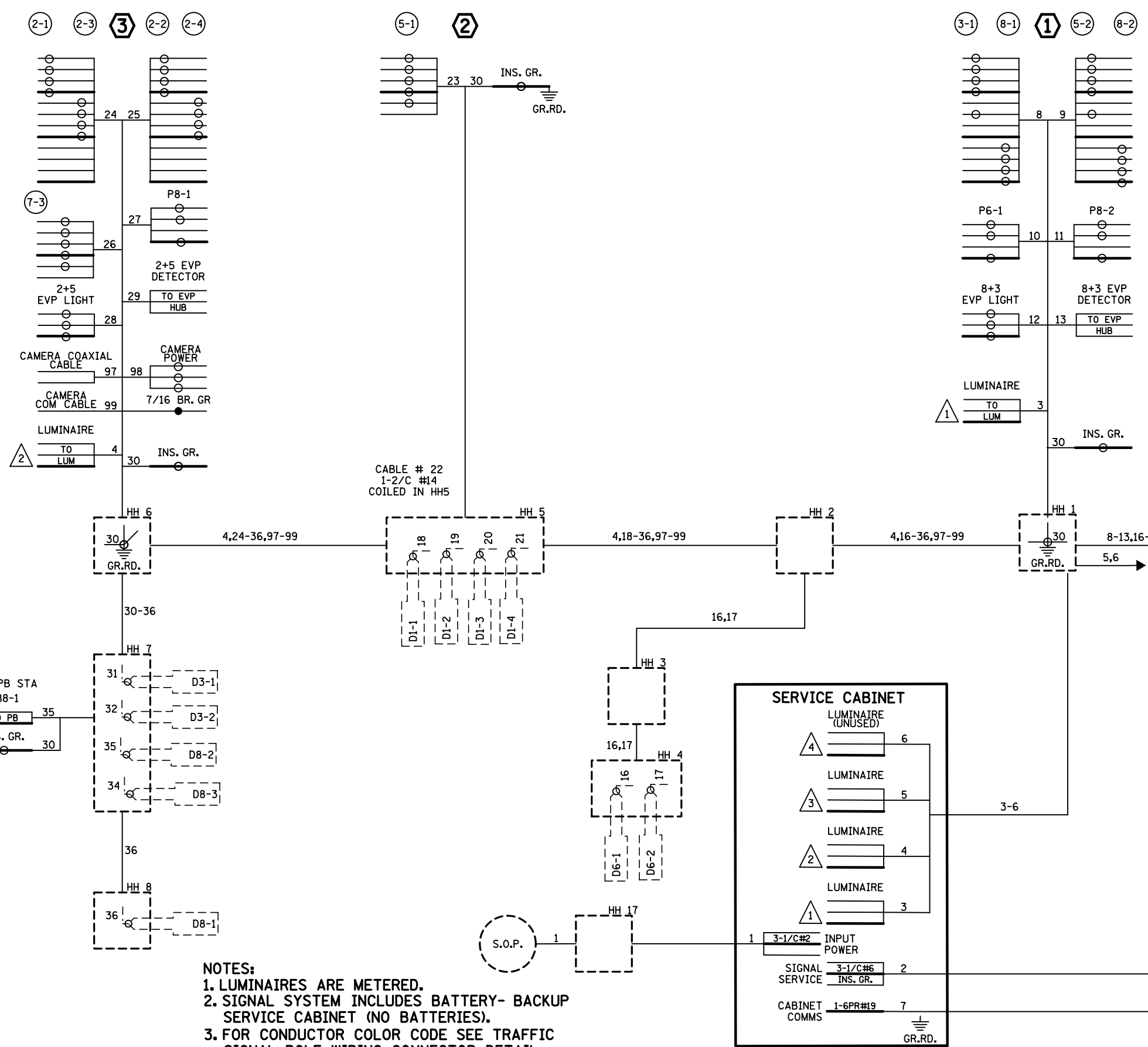
BY	DATE	REVISIONS
EJA	12-15-14	AS-BUILTS OF SP 1917-44 AND 8825-388
EJA	07-06-15	D2-3 ADDED BY CONTRACTOR ON 5-11-15
HRL	08-26-22	UPDATE RECORD PLAN, REDLINES FROM LISA LONJEN

SYSTEM ID: 1735921	T.E. 5946
METER ADDRESS: 2565 HIGHWAY 149	
MASTER ID: 21840	T.E.

MATCHLINE AND POLE NOTES
T.H. 149 (DODD RD.) AT BLUE GENTIAN RD./
VIKINGS PKWY.
IN EGAN, DAKOTA COUNTY

DRAWN BY: BAM	CKD BY: CDB	DATE: 12/20/13
CERTIFIED BY: <i>Michael P. Lubinsky</i> LIC. NO. 19863 DATE: 12/20/13		
(T.H. 149)	SHEET NO. 2 OF	5 SHEETS

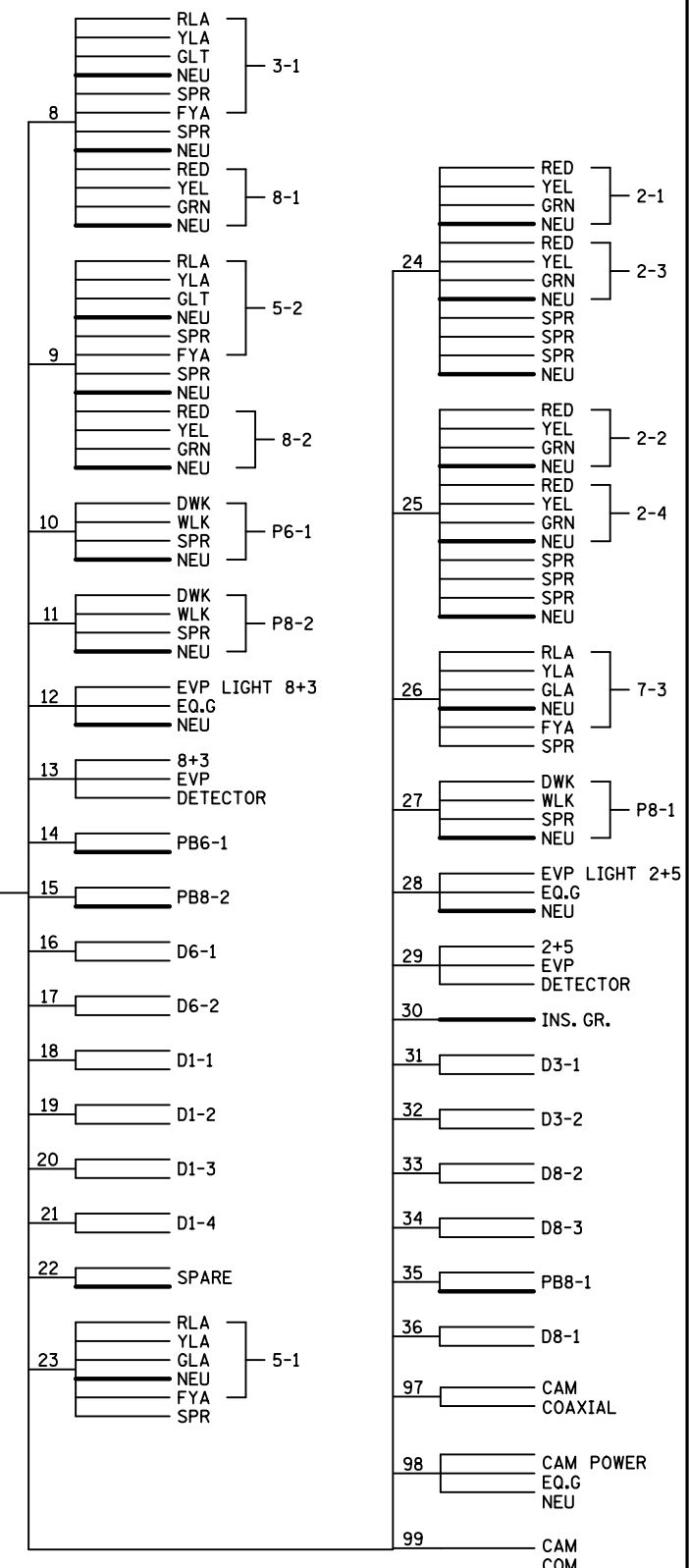
DISTRICT #: Metro
 IPLOT NAME: T21840a_sgl
 PATH & FILENAME: Projects\DM_POS\49\0000\Traffic\Signals\376_21840 (Blue Gentian Rd - Vikings Pkwy)\735921\21840a_sgl.dwg/REVISED: 26-AUG-2022



NOTES:

- LUMINAIRES ARE METERED.
- SIGNAL SYSTEM INCLUDES BATTERY- BACKUP SERVICE CABINET (NO BATTERIES).
- FOR CONDUCTOR COLOR CODE SEE TRAFFIC SIGNAL POLE WIRING CONNECTOR DETAIL.

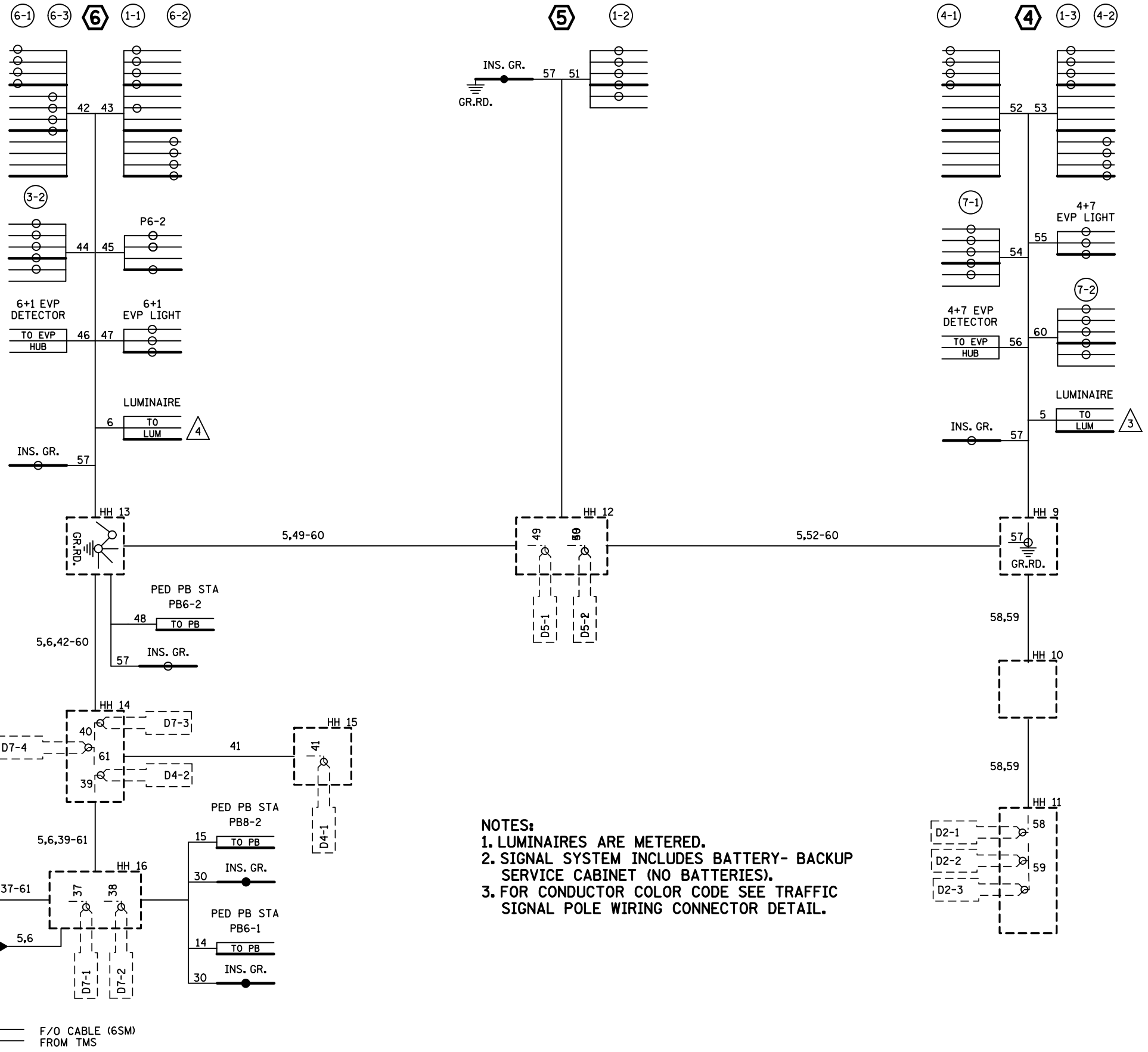
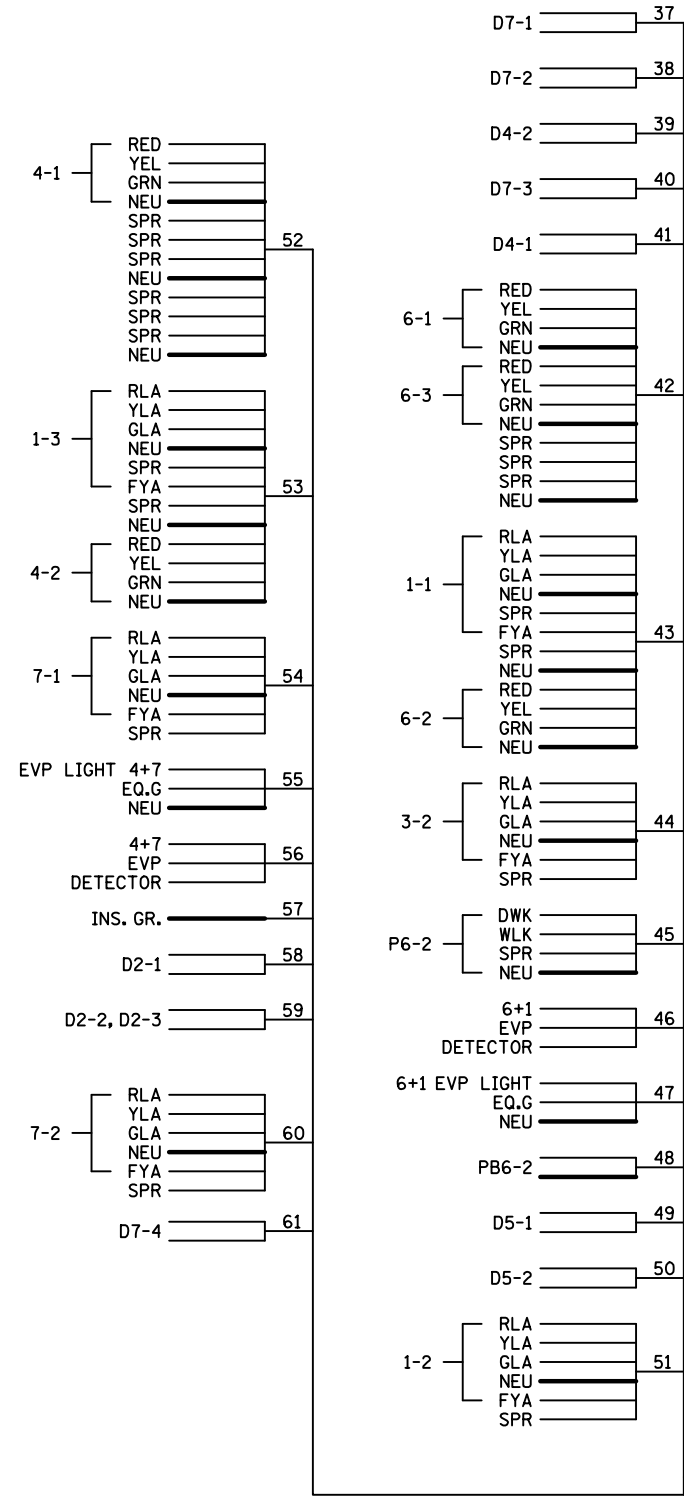
CONTROLLER CABINET



BY	DATE	REVISIONS	SYSTEM ID: 1735921	T.E. 5946	FIELD WIRING DIAGRAM (1 OF 2)	DRAWN BY: BAM	CKD BY: CDB	DATE: 12/20/13
EJA	12-15-14	AS-BUILTS OF SP 1917-44 AND 8825-388	METER ADDRESS: 2565 HIGHWAY 149		T.H. 149 (DODD RD.) AT BLUE GENTIAN RD./			
EJA	07-06-15	D2-3 ADDED BY CONTRACTOR ON 5-11-15	MASTER ID: 21840		VIKINGS PKWY.			
HRL	08-26-22	UPDATE RECORD PLAN, REDLINES FROM LISA LONIEN			IN EAGAN, DAKOTA COUNTY			
						CERTIFIED BY _____	LIC. NO. 19863	DATE: 12/20/13
						(T.H. 149)	SHEET NO. 3 OF 5 SHEETS	

DISTRICT #: Metro
 PLOT NAME: T21840a_sgl
 PATH & FILENAME: Projects\DM_POS\49\0000\Traffic\Signals\376_21840 (Blue Gentian Rd - Vikings Pkwy)\73592\T21840a_sgl.dwg/REVISED: 26-AUG-2022

CONTROLLER CABINET



NOTES:

- LUMINAIRES ARE METERED.
- SIGNAL SYSTEM INCLUDES BATTERY- BACKUP SERVICE CABINET (NO BATTERIES).
- FOR CONDUCTOR COLOR CODE SEE TRAFFIC SIGNAL POLE WIRING CONNECTOR DETAIL.

BY	DATE	REVISIONS	SYSTEM ID: 1735921	T.E. 5946	FIELD WIRING DIAGRAM (2 OF 2)	DRAWN BY: BAM	CKD BY: CDB	DATE: 12/20/13
EJA	12-15-14	AS-BUILTS OF SP 1917-44 AND 8825-388	METER ADDRESS: 2565 HIGHWAY 149		T.H. 149 (DODD RD.) AT BLUE GENTIAN RD./			
EJA	07-06-15	D2-3 ADDED BY CONTRACTOR ON 5-11-15	MASTER ID: 21840	T.E.	VIKINGS PKWY.	CERTIFIED BY _____	LIC. NO. 19863	DATE: 12/20/13
HRL	08-26-22	UPDATE RECORD PLAN , REDLINES FROM LISA LONIEN			IN EAGAN, DAKOTA COUNTY	(T.H. 149)		
						SHEET NO. 4 OF 5 SHEETS		