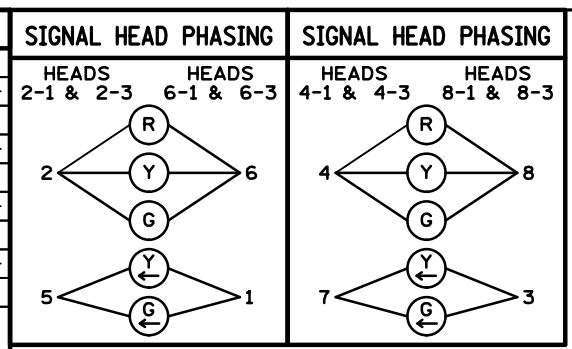


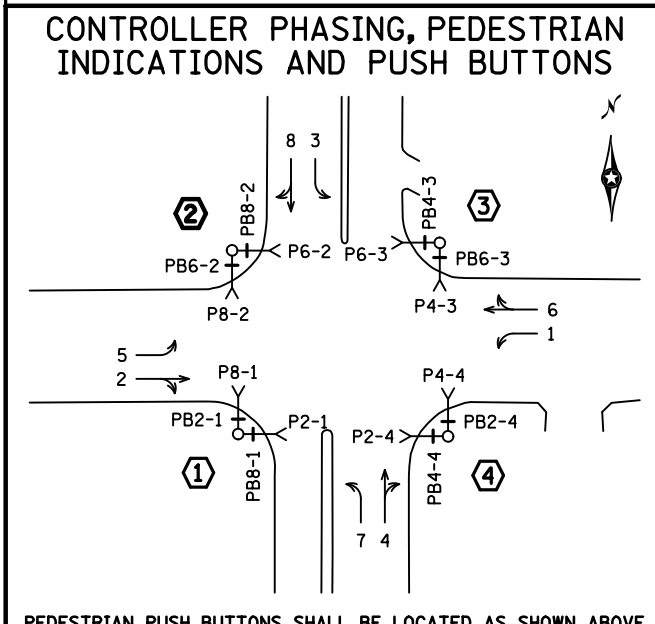
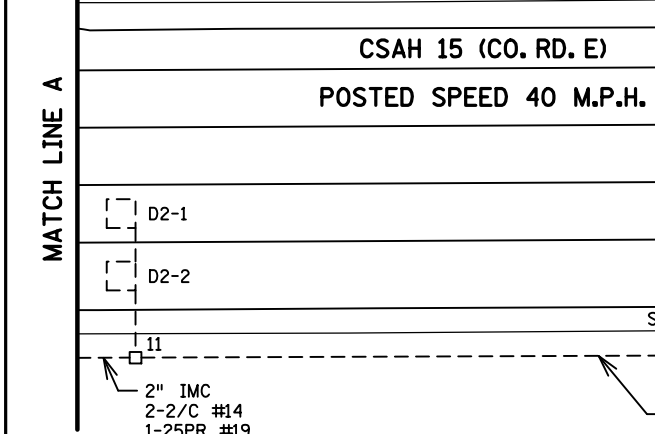
PLOTTED/REVISED: 11-FEB-2022

DISTRICT #: Metro
PLOT NAME: layout
PATH & FILENAME: Projects\DM_POS\20\0000\Traffic\Signals\9.50_115

SIGNAL HEAD CHART					
FACE	R	Y	G	Y	G
2-1, 2-3	○	○	○	◀	◀
2-2	○	○	○		
4-1, 4-3	○	○	○	◀	◀
4-2	○	○	○		
6-1, 6-3	○	○	○	◀	◀
6-2	○	○	○		
8-1, 8-3	○	○	○	◀	◀
8-2	○	○	○		



2 P90 POLE FOUNDATION
TYPE P90-A-30-D35-9 (DAVIT AT 350 DEG)
ONE-WAY SIGNAL OVERHEAD
TYPE 20C POLE MOUNTED 270 DEG
ONE WAY EVP DETECTOR AND
CONFIRMATORY LIGHT (PHASE 6)
3/4" RSC EXTENSION FOR
EVP DETECTOR OVER SIGN
LUMINAIRE-200W HPS W/PEC & TEST SWITCH
2-PED PB'S AND SIGNS
1-R10-12 SIGN ADJACENT TO HEAD (6-1)
1-TYPE D SIGN
EXTEND INTO HH 13:
3" IMC
2-12/C #12
2-3/C #12
1-3/C #20
2-1/C #10 (LUM)



SIGNAL SYSTEM OPERATION

- THE SIGNAL SYSTEM FLASH MODE IS ALL RED.
- NORMAL OPERATION IS 8 PHASE, WITH PHASES 1, 3, 5 AND 7 BEING PROTECTED/PERMISSIVE LEFT TURN PHASES.
- PHASES 2 AND 6 SHALL BE ON VEHICLE RECALL.

BY	DATE	REVISIONS
GDS	04-22-13	AS BUILT OF SP 6227-60
SJK	2/11/22	REVISED SHEET

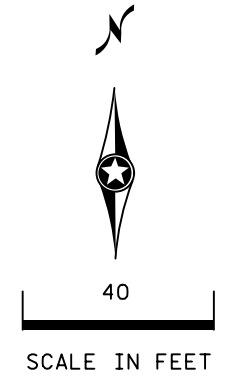
SYSTEM ID: 1735679 T.E.
METER ADDRESS: 100 WILDWOOD RD.
MASTER ID: T.E.

INTERSECTION LAYOUT
TRAFFIC CONTROL SIGNAL SYSTEM
T.H. 120 AT T.H. 244 (WILDWOOD RD.)/C.S.A.H. 15 (CR E)
IN WHITE BEAR LAKE AND MAHTOMEDI,
RAMSEY AND WASHINGTON COUNTIES

S.A.P. NO.	DRAWN BY:	CKD BY:	DATE:
CERTIFIED BY _____	LIC. NO. _____	DATE: _____	
STATE PROJ. NO.	(T.H. 120)	SHEET NO. 1 OF 4 SHEETS	

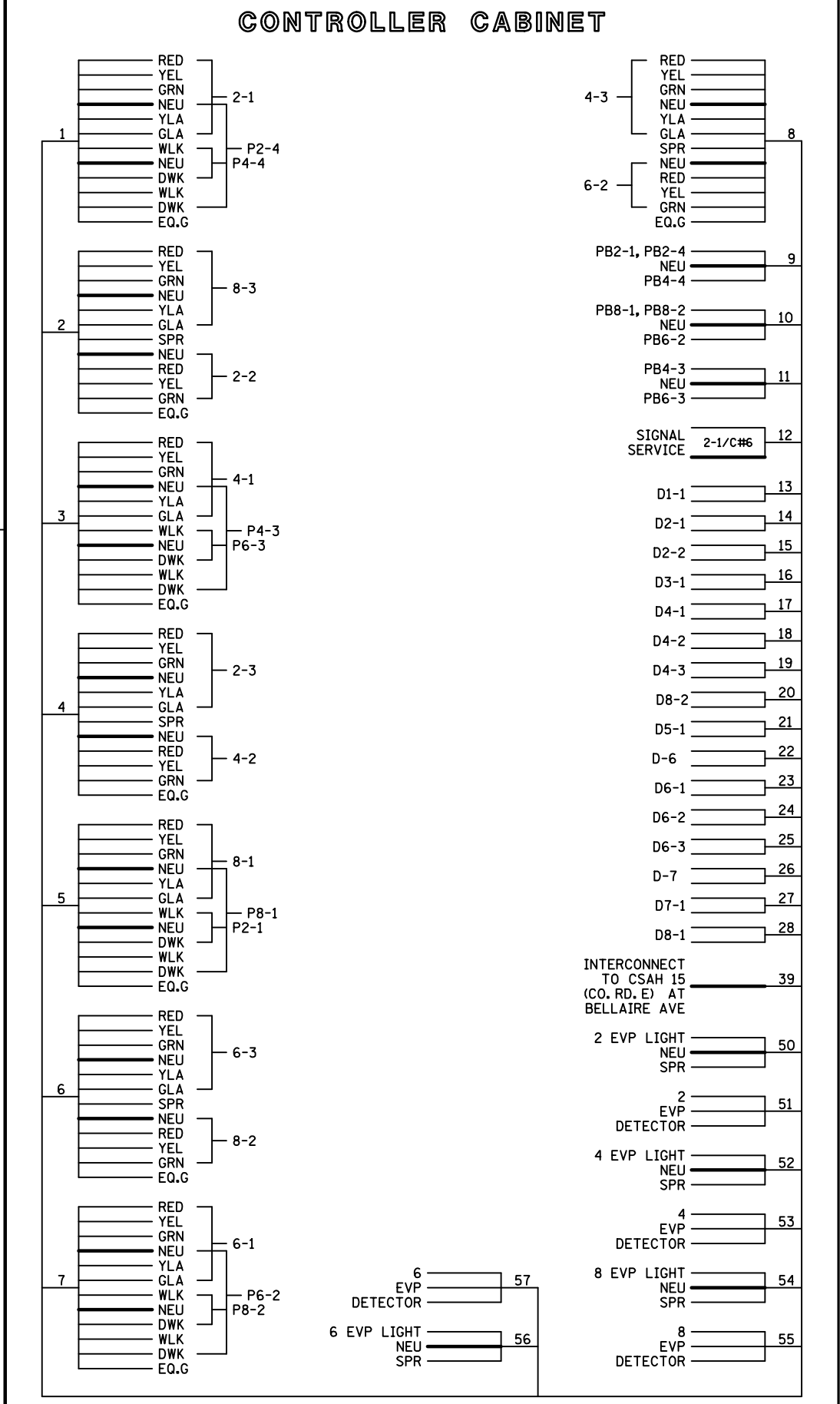
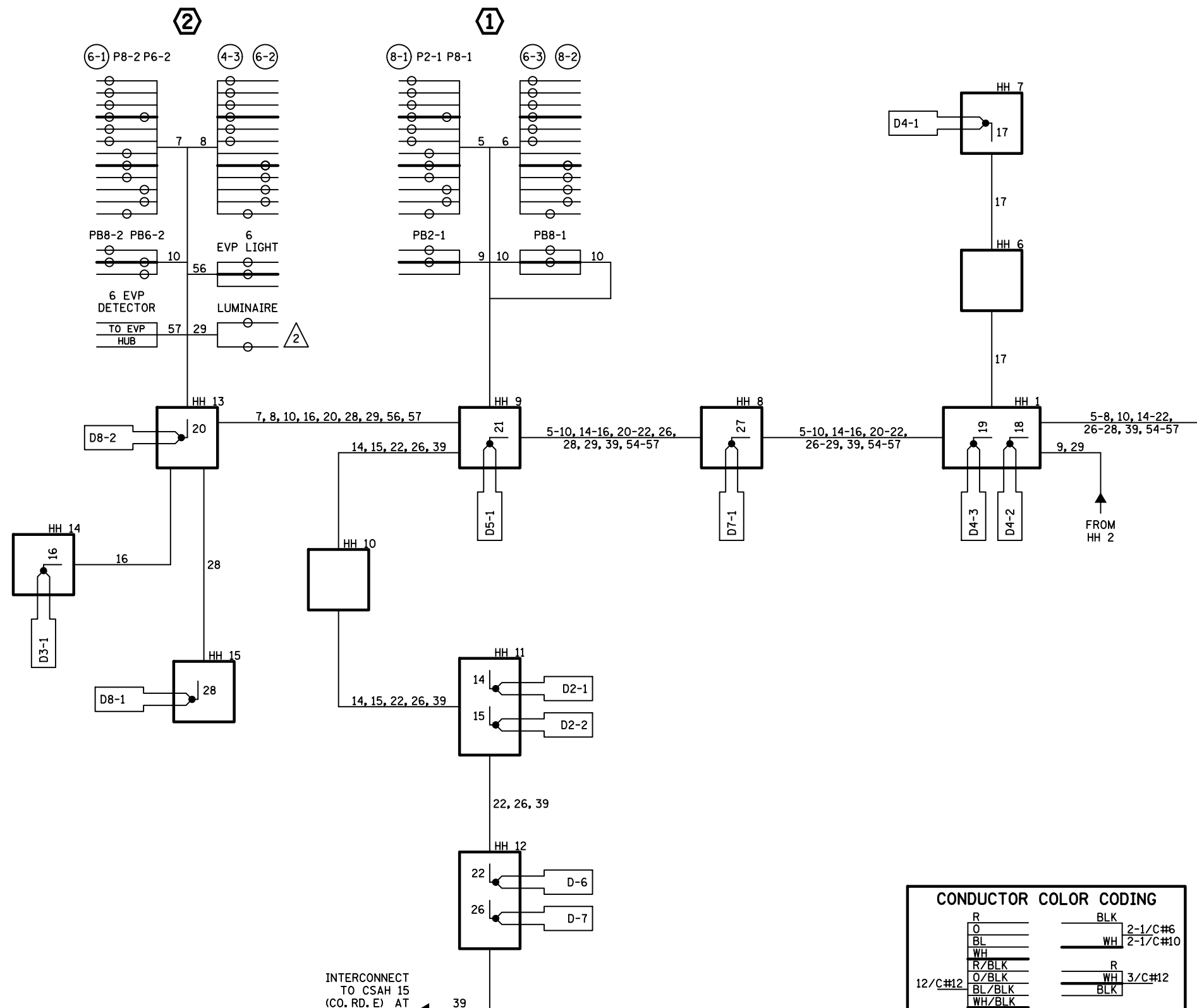
LOOP DETECTOR CHART		
NUMBER	SIZE (FT)	LOCATION
D1-1, D5-1	2-6x6	5 & 20
D1-1, D5-1	2-6x6	35 & 50
D2-1, D2-2	6x6	250
D3-1	2-6x6	5 & 20
D3-1	6x6	35
D4-1	3-6x6	250
D4-2, D4-3	2-6x6	5 & 20
D6-1, D6-2, D6-3	6x6	250
D7-1	2-6x6	10 & 40
D8-1	6x6	120
D8-2	6x6	30
D-6, D-7	6x6	400

-ALL LOOP DETECTORS ARE PVC
-LOCATION: DISTANCE FROM
CROSSWALK/STOP BAR IN FEET



PLOTTED/REVISED: 11-FEB-2022

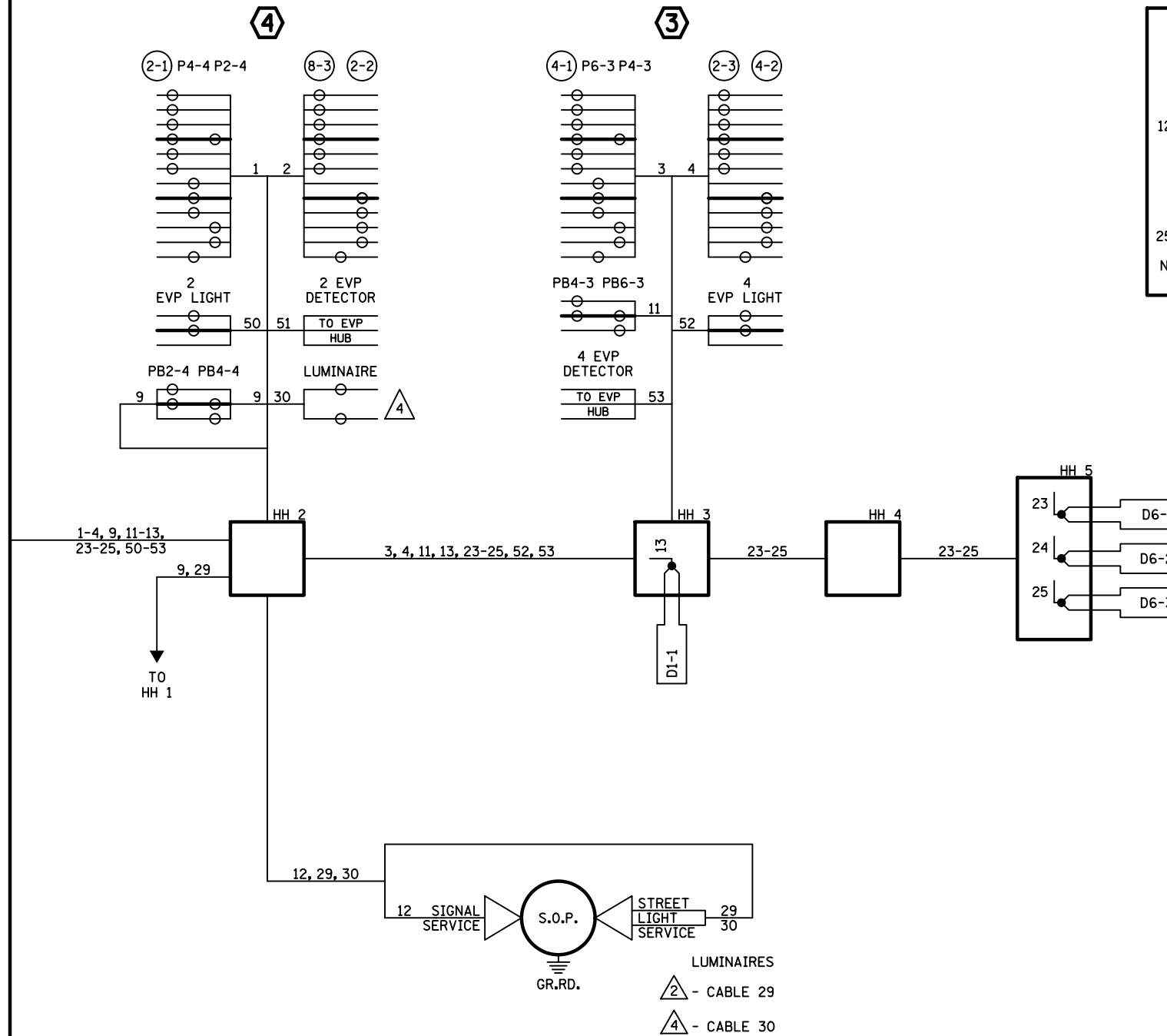
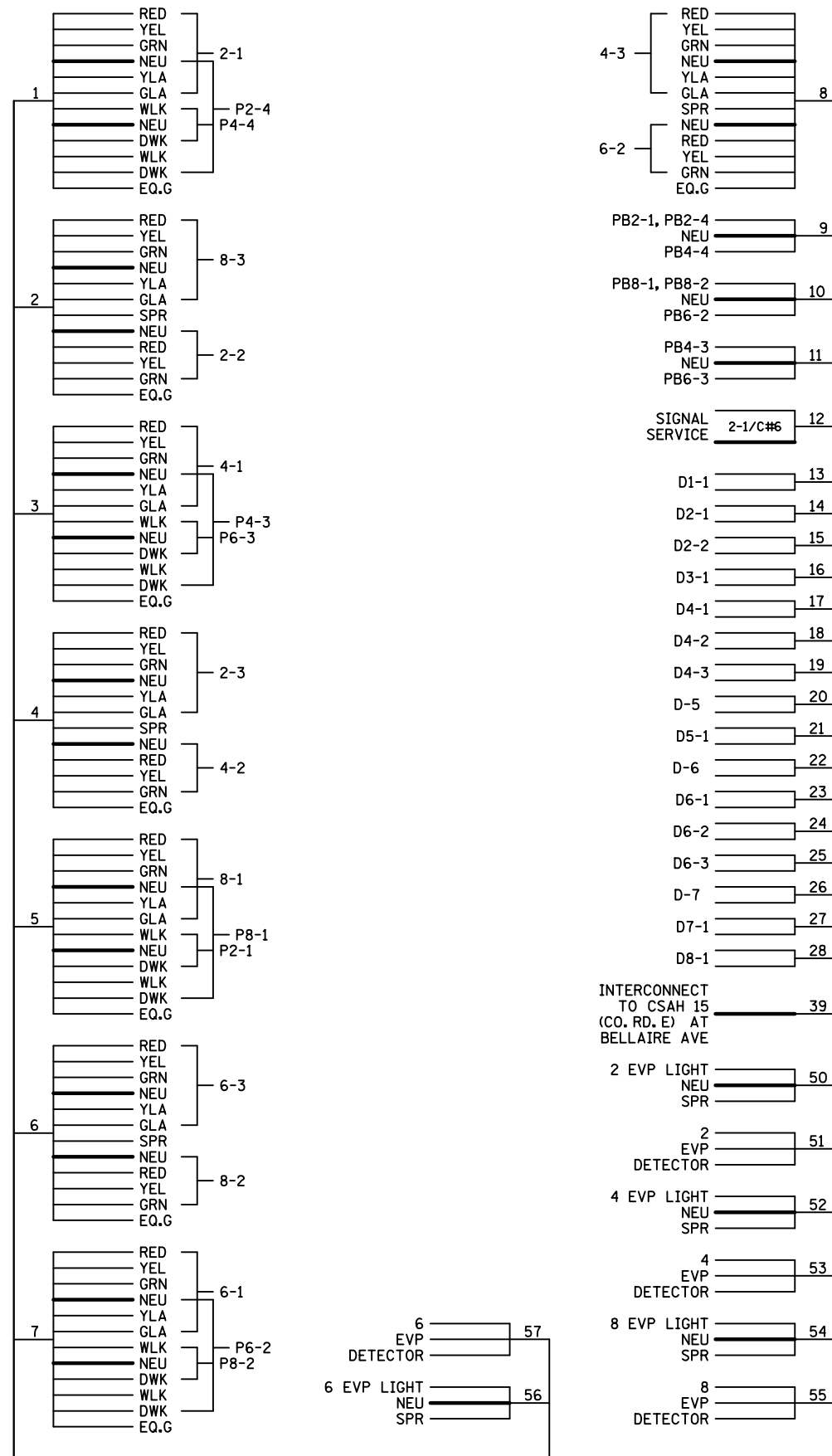
DISTRICT #: Metro
 IPLOT NAME: wiring diagram 1 of 2
 PATH & FILENAME: Projects\DM_POS\20\0000\Traffic\Signals\9.50_1\5



BY	DATE	REVISIONS	SYSTEM ID: 1735679	T.E.	S.A.P. NO.	DRAWN BY:	CKD BY:	DATE:
GDS	04-22-13	AS BUILT OF SP 6227-60	METER ADDRESS: 100 WILDWOOD RD.		CERTIFIED BY _____ LICENSED PROFESSIONAL ENGINEER	LIC. NO. _____		DATE: _____
SJK	2/11/22	REVISED SHEET	MASTER ID:	T.E.		STATE PROJ.NO. (T.H.120)	SHEET NO. 3 OF 4 SHEETS	

FIELD WIRING DIAGRAM (1 OF 2)
TRAFFIC CONTROL SIGNAL SYSTEM
T.H. 120 AT T.H. 244 (WILDWOOD RD.)/C.S.A.H. 15 (CR E)
IN WHITE BEAR LAKE AND MAHTOMEDI,
RAMSEY AND WASHINGTON COUNTIES

CONTROLLER CABINET



CONDUCTOR COLOR CODING	
R	BLK
O	WH 2-1/C#6
BL	WH 2-1/C#10
WH	
R/BLK	R
O/BLK	WH 3/C#12
BL/BLK	BLK
WH/BLK	
BLK	R OR O
BLK/WH	WH OR YEL 3/C#20
G/BLK	BLK OR BL
G	
25PR#19	BLK 2/C#14
	CLR

NOTE: ALL TERMINAL BLOCK CONNECTIONS ARE ARRANGED AS SPECIFIED ABOVE

DISTRICT #: Metro
 IPLOT NAME: wtrhd diagram 2 of 2
 PATH & FILENAME: Projects\DM_POS\20\0000\Traffic\Signals\9.50_115

BY	DATE	REVISIONS	SYSTEM ID: 1735679	T.E.	S.A.P. NO.	DRAWN BY:	CKD BY:	DATE:
GDS	04-22-13	AS BUILT OF SP 6227-60	METER ADDRESS: 100 WILDWOOD RD.		CERTIFIED BY		LIC. NO.	DATE:
SJK	2/11/22	REVISED SHEET	MASTER ID:	T.E.	STATE PROJ.NO. (T.H.120)		SHEET NO. 4 OF 4 SHEETS	

FIELD WIRING DIAGRAM (2 OF 2)
 TRAFFIC CONTROL SIGNAL SYSTEM
 T.H. 120 AT T.H. 244 (WILDWOOD RD.)/C.S.A.H. 15 (CR E)
 IN WHITE BEAR LAKE AND MAHTOMEDI,
 RAMSEY AND WASHINGTON COUNTIES