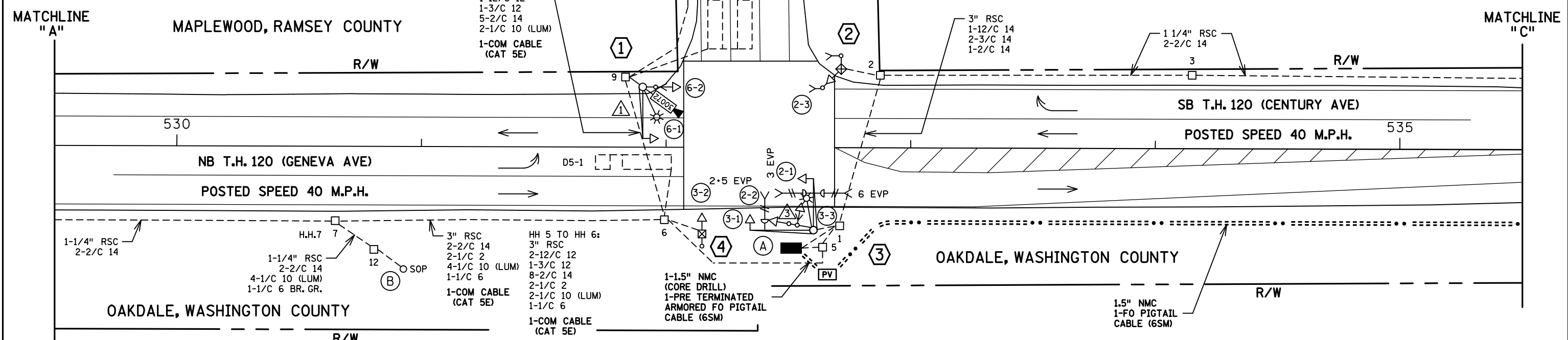
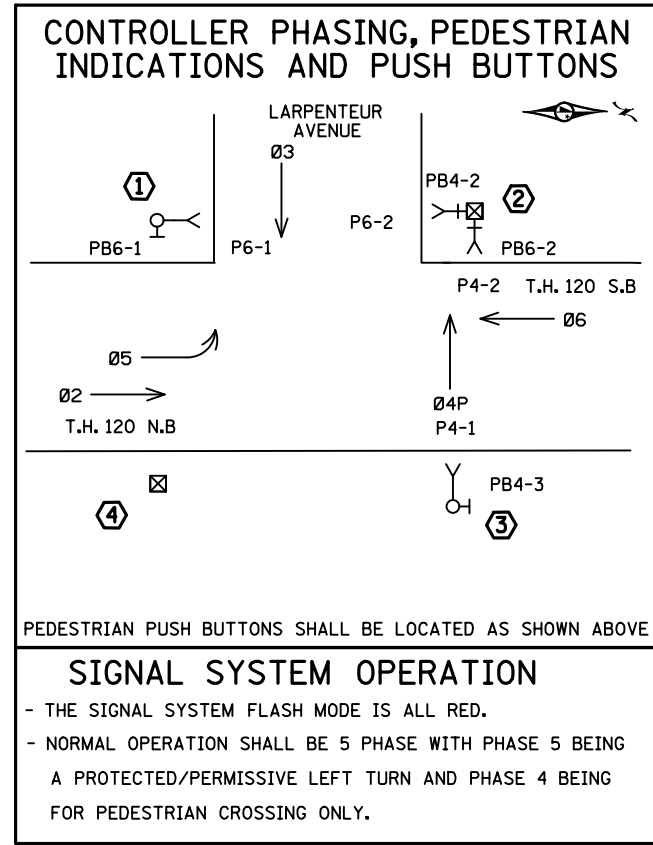


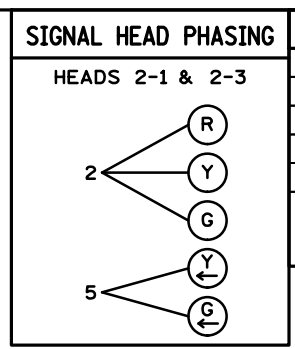
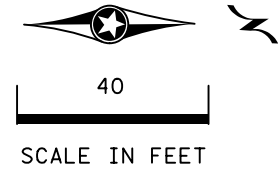
DISTRICT #: Metro  
 I/PLOT NAME: layout  
 PATH & FILENAME: Projects\DM\_POS\20\00000\Traffic\Signal\5.32\_130\LARPELLEUR\_AV-1735674\1735674\_sgl.dgn  
 PLOTTED/REVISED: 20-JAN-2023

LOOP DETECTOR CHART			
NUMBER	SIZE (FT)	LOCATION	TYPE
D2-1, D2-2	6x6	300	PVC
D3-1	6x6	300	SAW
D3-2, D3-3	6x6	140	SAW
D3-4, D3-5	6x20	5	SAW
D5-1	6x20, 6x6	5, 20	PVC
D6-1	6x6	300	PVC

-ALL LOOP DETECTORS ARE PVC  
 -LOCATION: DISTANCE FROM CROSSWALK /STOP BAR IN FEET



MATCHLINE "B"



### SIGNAL HEAD CHART

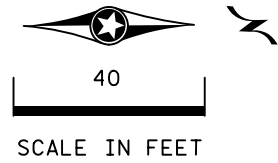
FACE	R	Y	G	Y	G
2-1, 2-3	○	○	○	◄	◄
2-2	○	○	○		
3-1, 3-2, 3-3	○	○	○		
6-1, 6-2	○	○	○		

-ALL SIGNAL INDICATIONS ARE 12" LED  
 -ALL SIGNAL HEADS ARE BLACK WITH BACKGROUND SHIELDS

BY	DATE	REVISIONS	SYSTEM ID: 1735674	T.E. 6052	S.A.P. NO.	DRAWN BY:GDS	CKD BY:GBB	DATE:05-03-18
SJK	1/20/23	AS-BUILT PLAN SP 6227-83	METER ADDRESS: 1670 GENEVA AVE N	OLD SYSTEM ID: 21438	CERTIFIED BY _____	LICENSED PROFESSIONAL ENGINEER	LIC. NO. 19863	DATE: 06-06-18
<b>INTERSECTION LAYOUT          REVISE SIGNAL SYSTEM G          T.H. 120 AT CSAH 30 (LARPELLEUR AVE.)          IN MAPLEWOOD, RAMSEY COUNTY          AND OAKDALE, WASHINGTON COUNTY</b>					<b>STATE PROJ.NO. 6227-83 (T.H.120) SHEET NO. 55 OF 89 SHEETS</b>			

DISTRICT #: Metro  
 PLOT NAME: pole notes  
 PATH & FILENAME: Projects\DM罗斯\20\0000\Traffic\Signal\5.32.130\ARPENTEUR AV-1735674\1735674\_sgl.dgn

PLOTTED/REVISED: 20-JAN-2023



① P90 POLE FOUNDATION  
 TYPE P90-A-20-D40-9 (DAVIT AT 350 DEG)  
 1-X6-350/CAM 400 EXTENSION  
 (MOUNTED AT 350 DEG)  
 (INCLUDES LIGHTNING ROD)  
 7/16" GROUND BRAID  
 1-VIDEO CAMERA WITH MOUNT

ONE WAY SIGNAL OVERHEAD  
 TYPE 10B AT 270 DEG  
 LUMINAIRE-200W H.P.S.  
 1-PED PB AND SIGN  
 EXTEND INTO HH 9:  
 3" RSC  
 1-12/C 12  
 1-3/C 12  
 2-1/C 10 (LUM)  
 1-7/16" GROUND BRAID  
 TO GROUND ROD  
 1-COM CABLE (CAT 5E)

④ TYPE 1A  
 PEDESTAL POLE AND BASE  
 PEDESTAL FOUNDATION  
 EXTEND INTO HH 6:  
 3" RSC  
 1-12/C 12

② TYPE 1D  
 PEDESTAL POLE AND BASE  
 PEDESTAL FOUNDATION  
 2-PED PBS AND SIGNS  
 EXTEND INTO HH 2:  
 3" RSC  
 1-12/C 12  
 2-3/C 12

③ P100 POLE FOUNDATION  
 TYPE P100-A-20-25-D40-9 (DAVIT AT 350 DEG)  
 TWO WAY EVP DETECTOR AND LIGHTS (2+5 AND 6)  
 ONE WAY EVP DETECTOR AND LIGHT (3)  
 TWO ONE WAY SIGNALS OVERHEAD  
 TYPE 20B AT 270 DEG  
 LUMINAIRE-200W H.P.S.  
 R10-12 SIGN (ADJACENT TO HEAD 2-1)  
 1-PED PB AND SIGN  
 EXTEND INTO HH 1:  
 3" RSC  
 3-12/C 12  
 2-3/C 12  
 2-3/C 20  
 2-1/C 10 (LUM)

Ⓐ EQUIPMENT PAD  
 CONTROLLER AND CABINET  
 4" RSC TO HH 1: 4" RSC TO HH 5:  
 4-12/C 12 2-12/C 12  
 2-3/C 12 1-3/C 12  
 1-2/C 14 8-2/C 14  
 2-3/C 20 1-COM CABLE (CAT 5E)

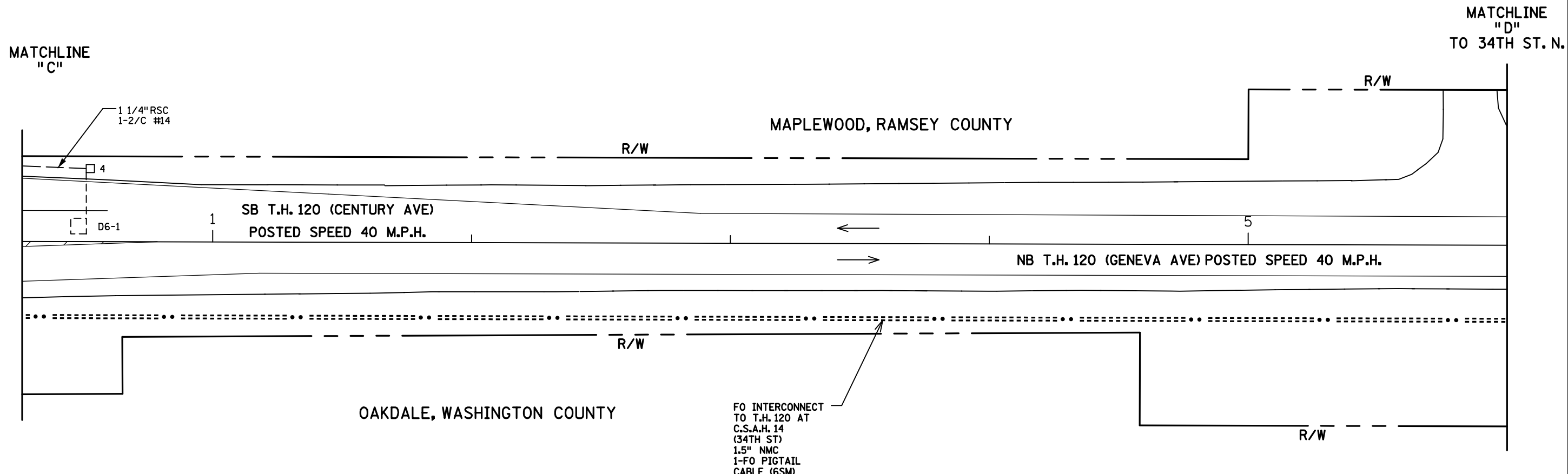
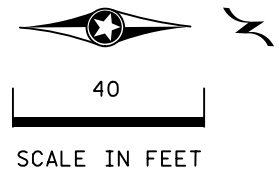
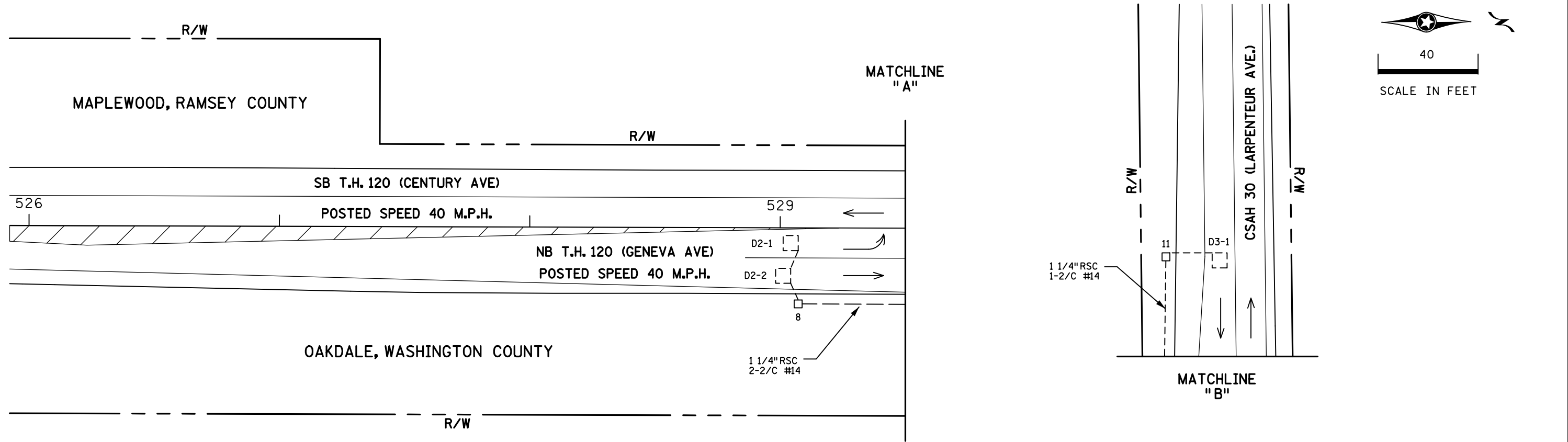
3/4" RSC STUBBED OUT  
 (CAPPED BOTH ENDS)  
 CONTROLLER CABINET TO  
 PULL VAULT:  
 1-1.5" NMC  
 1-PRE TERMINATED ARMORED  
 FO PIGTAIL CABLE (6SM)

LOAD CENTER TO  
 CONTROLLER CABINET:  
 2" IMC  
 2-1/C 2  
 1-1/C 6 BR. GR.  
 HH 1 TO HH 5:  
 2" IMC  
 2-1/C 10 (LUM)

Ⓑ SOP ON WOOD POLE  
 1 1/4" RSC RISER AND WEATHERHEAD  
 3-1/C 2  
 SERVICE EQUIPMENT  
 1 1/4" RSC RISER, EXTEND INTO HH 12:  
 2-1/C 2  
 1-1/C 6 BR GR  
 4-1/C 10 (LUM)

BY	DATE	REVISIONS	SYSTEM ID: 1735674	T.E. 6052	S.A.P. NO.	DRAWN BY:GDS	CKD BY:GBB	DATE:05-03-18
SJK	1/20/23	AS-BUILT PLAN SP 6227-83	METER ADDRESS: 1670 GENEVA AVE N		CERTIFIED BY _____	LIC. NO. 19863	DATE: 06-06-18	
			OLD SYSTEM ID: 21438		STATE PROJ.NO. 6227-83 (T.H.120)		SHEET NO. 56 OF 89 SHEETS	
<b>INTERSECTION LAYOUT          REVISE SIGNAL SYSTEM G          T.H. 120 AT CSAH 30 (LARPENTEUR AVE.)          IN MAPLEWOOD, RAMSEY COUNTY          AND OAKDALE, WASHINGTON COUNTY</b>					<small>LICENSED PROFESSIONAL ENGINEER</small>			

DISTRICT #: Metro  
 PLOT NAME: match lines  
 PATH & FILENAME: Projects\DM\_POS\20\00000\Traffic\Signal\5.32.130\ LARPENTEUR AV-1735674\1735674\_sgl.dgn  
 PLOTTED/REVISED: 20-JAN-2023

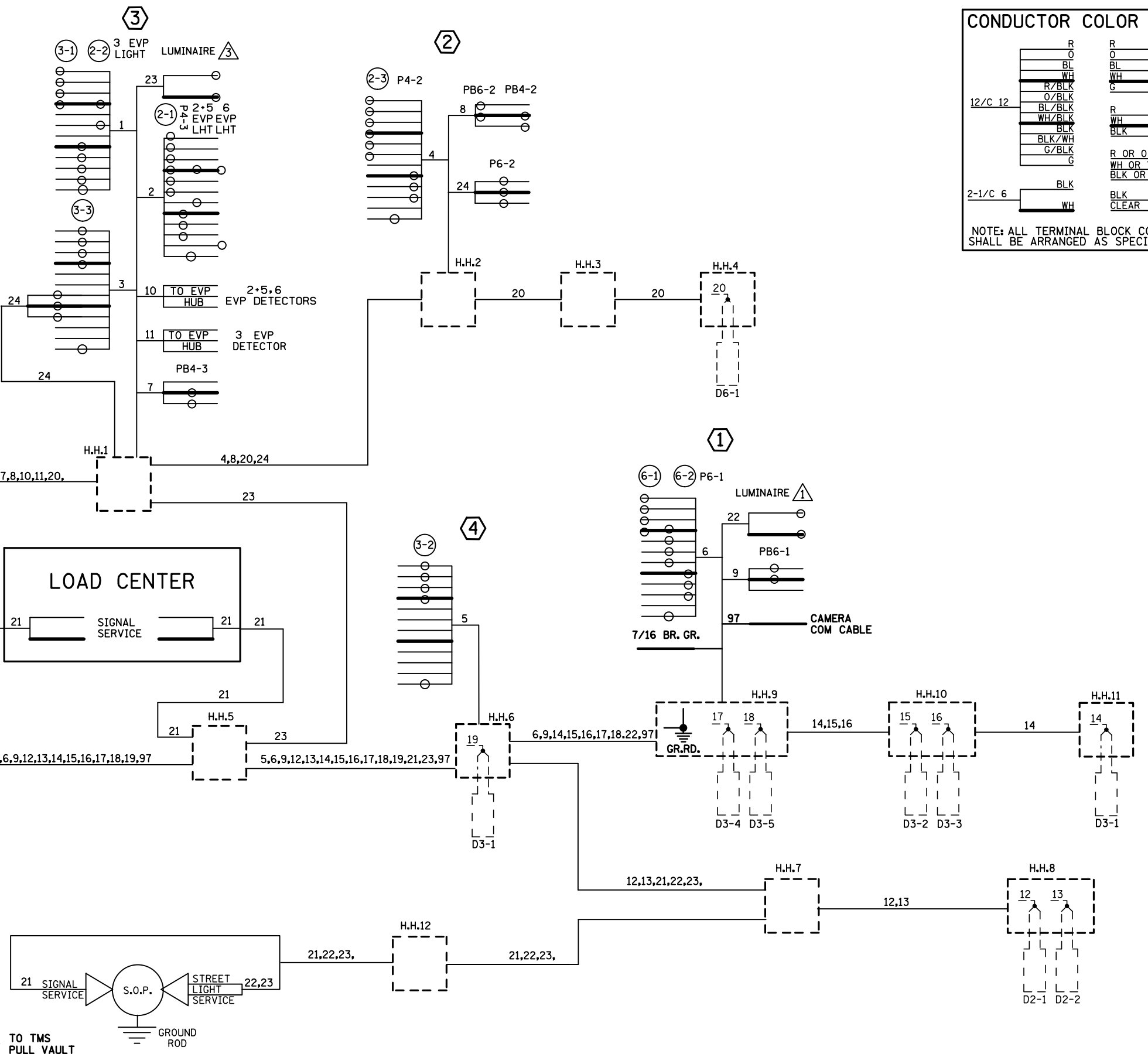
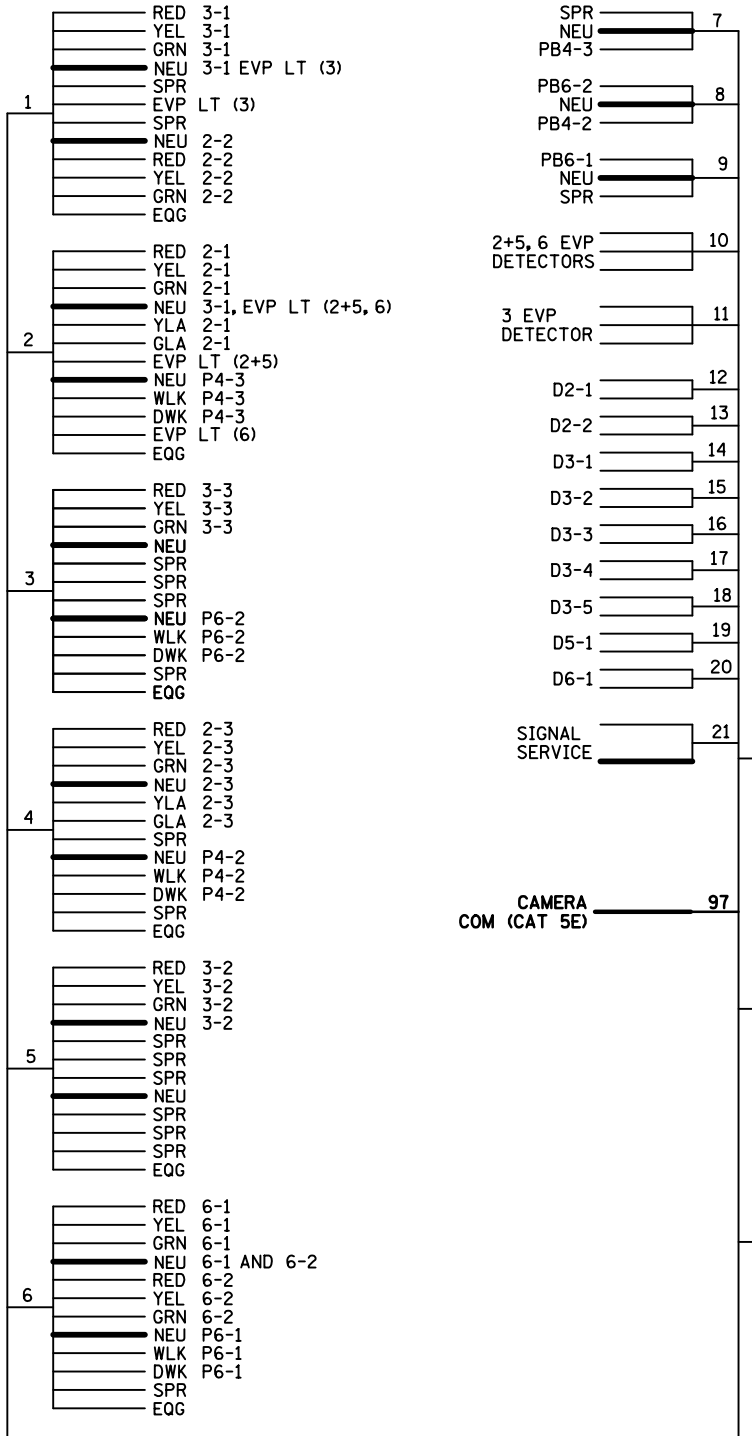


BY	DATE	REVISIONS	SYSTEM ID: 1735674	T.E. 6052	S.A.P. NO.	DRAWN BY:GDS	CKD BY:GBB	DATE:05-03-18
SJK	1/20/23	AS-BUILT PLAN SP 6227-83	METER ADDRESS: 1670 GENEVA AVE N		CERTIFIED BY _____			LIC. NO. 19863 DATE: 06-06-18
			OLD SYSTEM ID: 21438		STATE PROJ.NO. 6227-83 (T.H.120)		SHEET NO. 57 OF 89 SHEETS	

**MATCHLINES LAYOUT**  
**REVISE SIGNAL SYSTEM G**  
**T.H. 120 AT CSAH 30 (LARPENTEUR AVE.)**  
**IN MAPLEWOOD, RAMSEY COUNTY**  
**AND OAKDALE, WASHINGTON COUNTY**

DISTRICT #: Metro  
 PLOT NAME: wiring diagram  
 PATH & FILENAME: Projects\DM\_POS\20\0000\Traffic\Signal\5.32.130.LARPEUR AV-1735674\1735674\_sgl.dgn  
 PLOTTED/REVISED: 20-JAN-2023

### CONTROLLER CABINET



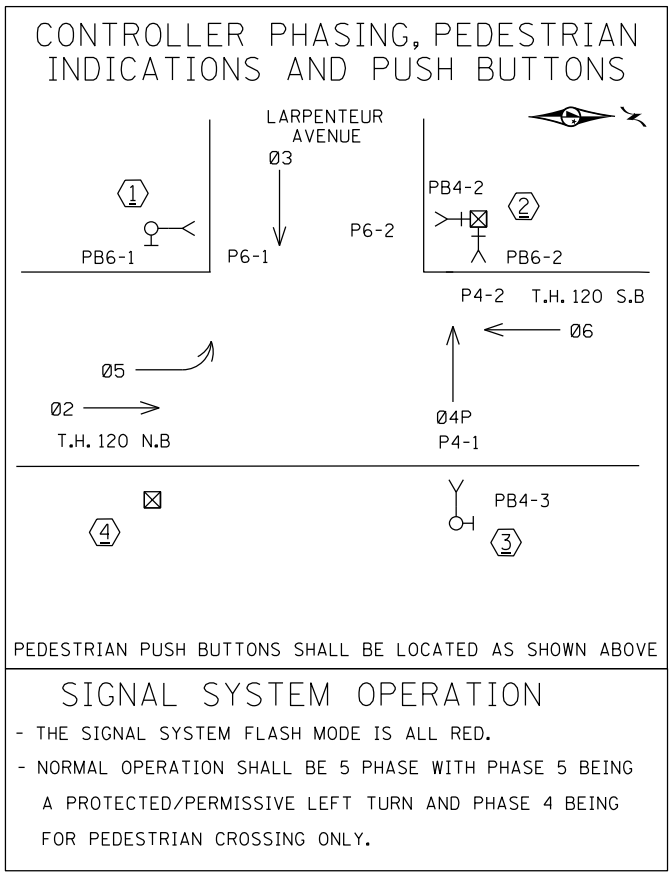
CONDUCTOR COLOR CODING	
R	R
O	O
BL	BL
WH	WH
R/BLK	5/C 12
O/BLK	
BL/BLK	
WH/BLK	R
BLK	WH
BLK/WH	BLK
G/BLK	R OR O
G	WH OR YEL
	BLK OR BL
2-1/C 6	BLK
	BLK CLEAR
	2/C 14

NOTE: ALL TERMINAL BLOCK CONNECTIONS SHALL BE ARRANGED AS SPECIFIED ABOVE

BY	DATE	REVISIONS	SYSTEM ID: 1735674	T.E. 6052	S.A.P. NO.	DRAWN BY:GDS	CKD BY:GBB	DATE:05-03-18
SJK	1/20/23	AS-BUILT PLAN SP 6227-83	METER ADDRESS: 1670 GENEVA AVE N	OLD SYSTEM ID: 21438	CERTIFIED BY _____	LICENSED PROFESSIONAL ENGINEER	LIC. NO. 19863	DATE: 06-06-18
<b>FIELD WIRING DIAGRAM</b> <b>REVISE SIGNAL SYSTEM G</b> <b>T.H. 120 AT CSAH 30 (LARPEUR AVE.)</b> <b>IN MAPLEWOOD, RAMSEY COUNTY</b> <b>AND OAKDALE, WASHINGTON COUNTY</b>					<b>STATE PROJ.NO. 6227-83 (T.H.120)</b> <b>SHEET NO. 58 OF 89 SHEETS</b>			

PLOTTED/REVISED: \$\$\$@DATE@\$\$\$

DISTRICT #: @DISTRICT@  
PLOT NAME: @@PLOT\$NAME@  
PATH & FILENAME: \$\$\$@PATH\$FILENAME@\$\$\$



### LOOP DETECTOR CHART

NUMBER	SIZE (FT)	LOCATION	TYPE
D2-1, D2-2	6x6	300'	PVC
D3-1	6x6	300'	SAWCUT
D3-2, D3-3	6x6	140'	SAWCUT
D3-4, D3-5	6x20	5'	SAWCUT
D5-1	6x20, 6x6	5', 20'	PVC
D6-1	6x6	300'	PVC

LOCATION: DISTANCE FROM CROSSWALK/STOP BAR IN FEET.

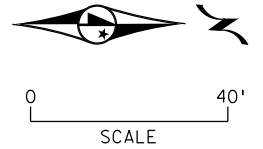
### SIGNAL HEAD PHASING

HEADS 2-1 & 2-3

### SIGNAL HEAD CHART

FACE	R	Y	G	Y	G
2-1, 2-3	○	○	○	◀	◀
2-2	○	○	○		
3-1, 3-2, 3-3	○	○	○		
6-1, 6-2	○	○	○		

-ALL SIGNAL INDICATIONS ARE 12"LEDS  
-ALL SIGNAL FACES SHALL HAVE A BACKGROUND SHIELD

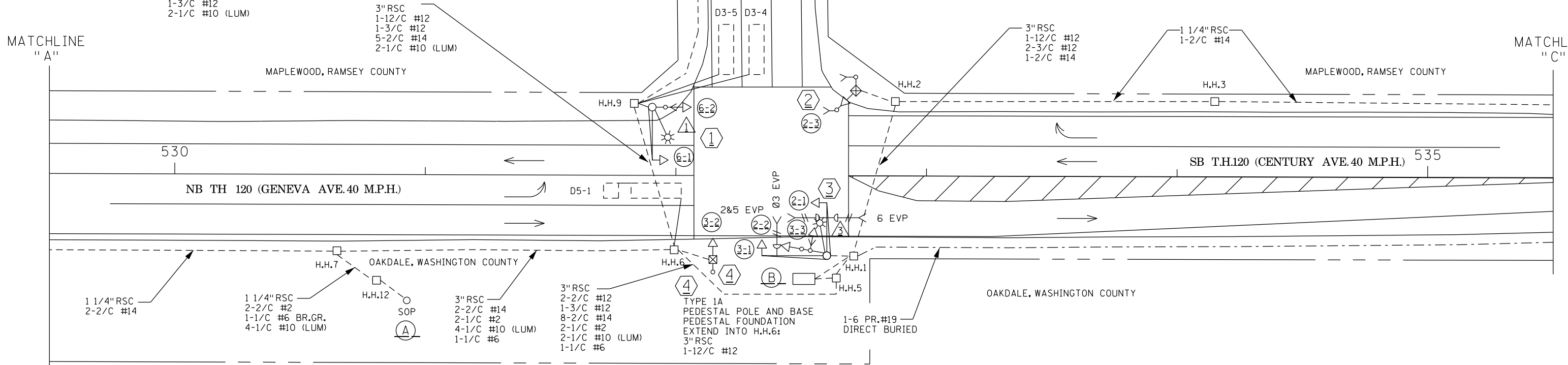


- (A)** SOP ON WOOD POLE  
1 1/4"RSC RISER AND WEATHERHEAD  
3-1/C #2  
SERVICE EQUIPMENT  
1 1/4"RSC RISER, EXTEND INTO H.H.12  
2-1/C #2  
1-1/C #6 BR GR  
4-1/C #10 (LUM)
- (B)** EQUIPMENT PAD  
CONTROLLER AND CABINET  
1"RSC STUB OUT-CAPPED  
EXTEND INTO H.H.1  
4"RSC  
4-12/C #12  
2-3/C #12  
2-3/C #20  
1-2/C #14  
1-6 PR #19  
EXTEND INTO H.H.5:  
4"RSC  
2-12/C #12  
1-3/C #12  
8-2/C #14  
2"IMC  
2-1/C #2  
1-1/C #6 BR GR.  
  
BETWEEN H.H.1 AND H.H.5  
2"IMC.  
2 -1/C #10 (LUM)

- (1)** TYPE P90-A-20-D40-9 (DAVIT AT 350 DEG)  
P90 POLE FOUNDATION  
ONE WAY SIGNAL OVERHEAD  
TYPE 10B AT 270 DEG  
LUMINAIRE 200 WATT HPS  
1-PED PB & SIGN  
EXTEND INTO H.H.9:  
3"RSC  
1-12/C #12  
1-3/C #12  
2-1/C #10 (LUM)

- (2)** TYPE 1D  
PEDESTAL POLE AND BASE  
PEDESTAL FOUNDATION  
2-PED PBS & SIGNS  
EXTEND INTO H.H.2:  
3"RSC  
1-12/C #12  
2-3/C #12

- (3)** TYPE P100-A-20-25-D40-9 (DAVIT AT 350 DEG)  
P100 POLE FOUNDATION  
TWO WAY EVP DETECTOR AND LIGHTS (2&5,6)  
ONE WAY EVP DETECTOR AND LIGHT (3)  
TWO ONE WAY SIGNALS OVERHEAD  
TYPE 20B AT 270 DEG  
LUMINAIRE 200 WATT HPS  
R10-12 SIGN (ADJACENT TO HEAD 2-1)  
1-PED PB & SIGN  
EXTEND INTO H.H.1:  
3"RSC  
3-12/C #12  
2-3/C #12  
2-3/C #20  
2-1/C #10 (LUM)

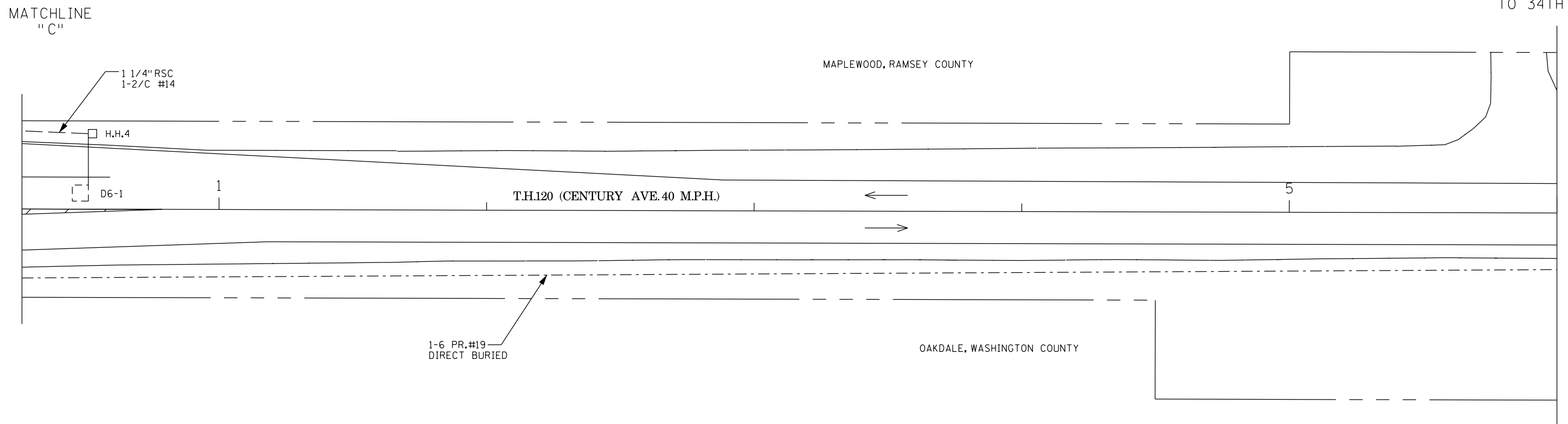
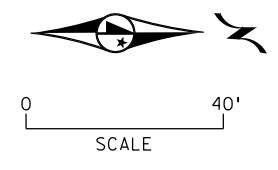
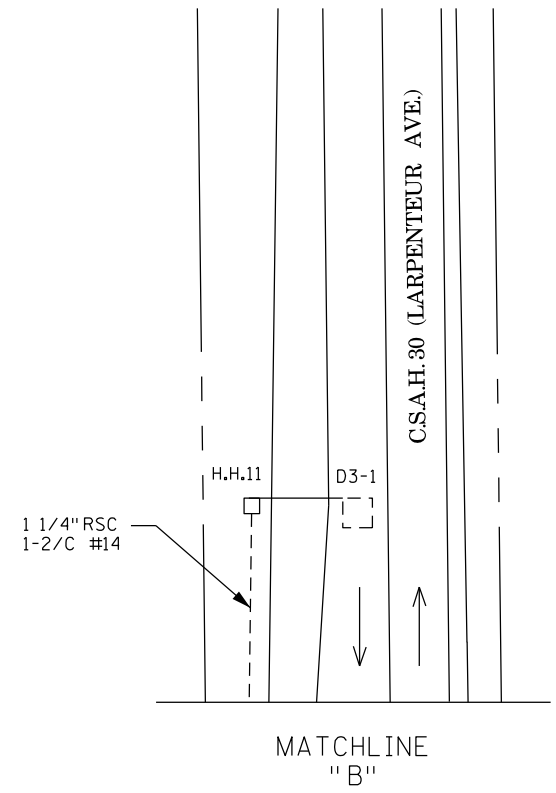
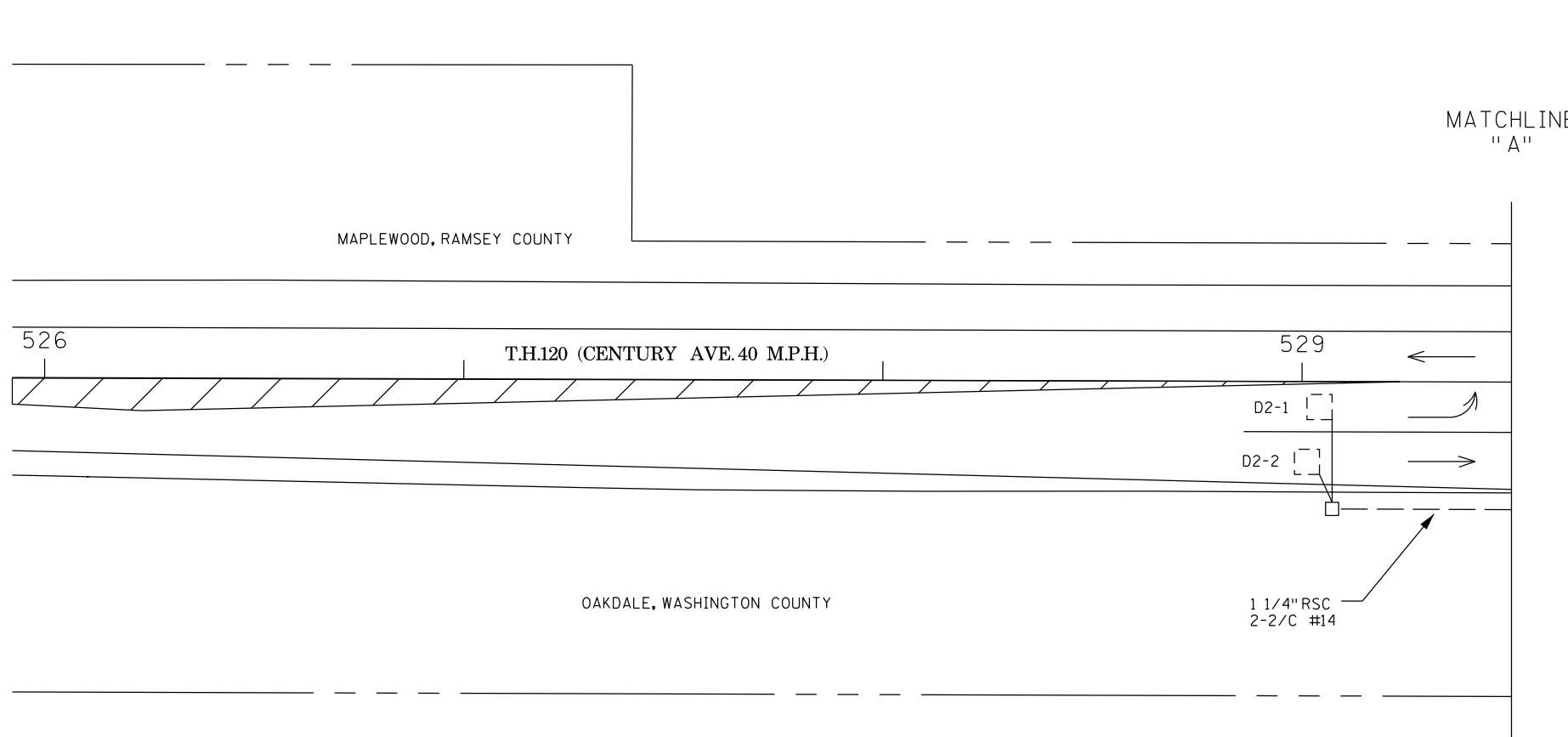


BY	DATE	REVISIONS	SYSTEM ID: 21438	T.E.	S.A.P. NO.	DRAWN BY: _____	CKD BY: _____	DATE: _____
EJA	05-29-15	PLAN UPDATES & CORRECTIONS	METER ADDRESS: 1670 GENEVA AVE N		CERTIFIED BY: _____	LIC. NO. _____	DATE: _____	
			MASTER ID: _____	T.E.	STATE PROJ. NO. _____ (T.H. 120)	SHEET NO. 1	OF 3	SHEETS

INTERSECTION LAYOUT  
T.H. 120 AT CSAH 30 (LARPENNEUR AVE)  
IN MAPLEWOOD, RAMSEY COUNTY  
& OAKDALE, WASHINGTON COUNTY

PLOTTED/REVISED: \$\$\$@DATE@\$\$\$

DISTRICT #: \$\$\$@DISTRICT@\$\$  
PLOT NAME: \$\$\$@PLOT\$NAME@\$\$  
PATH & FILENAME: \$\$\$@PATH\$FILENAME@\$\$\$



MATCHLINE "D" TO 34TH ST. N.

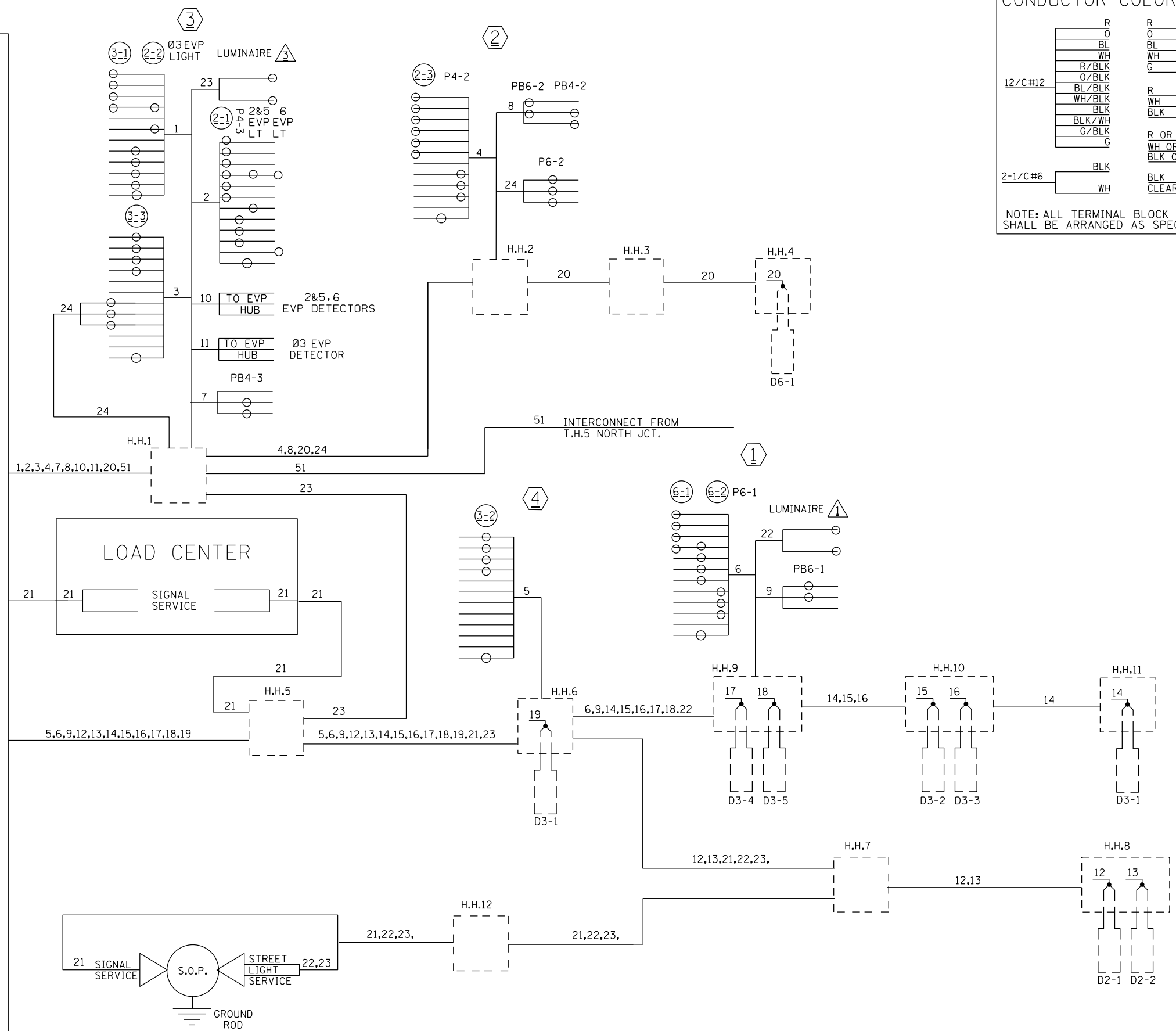
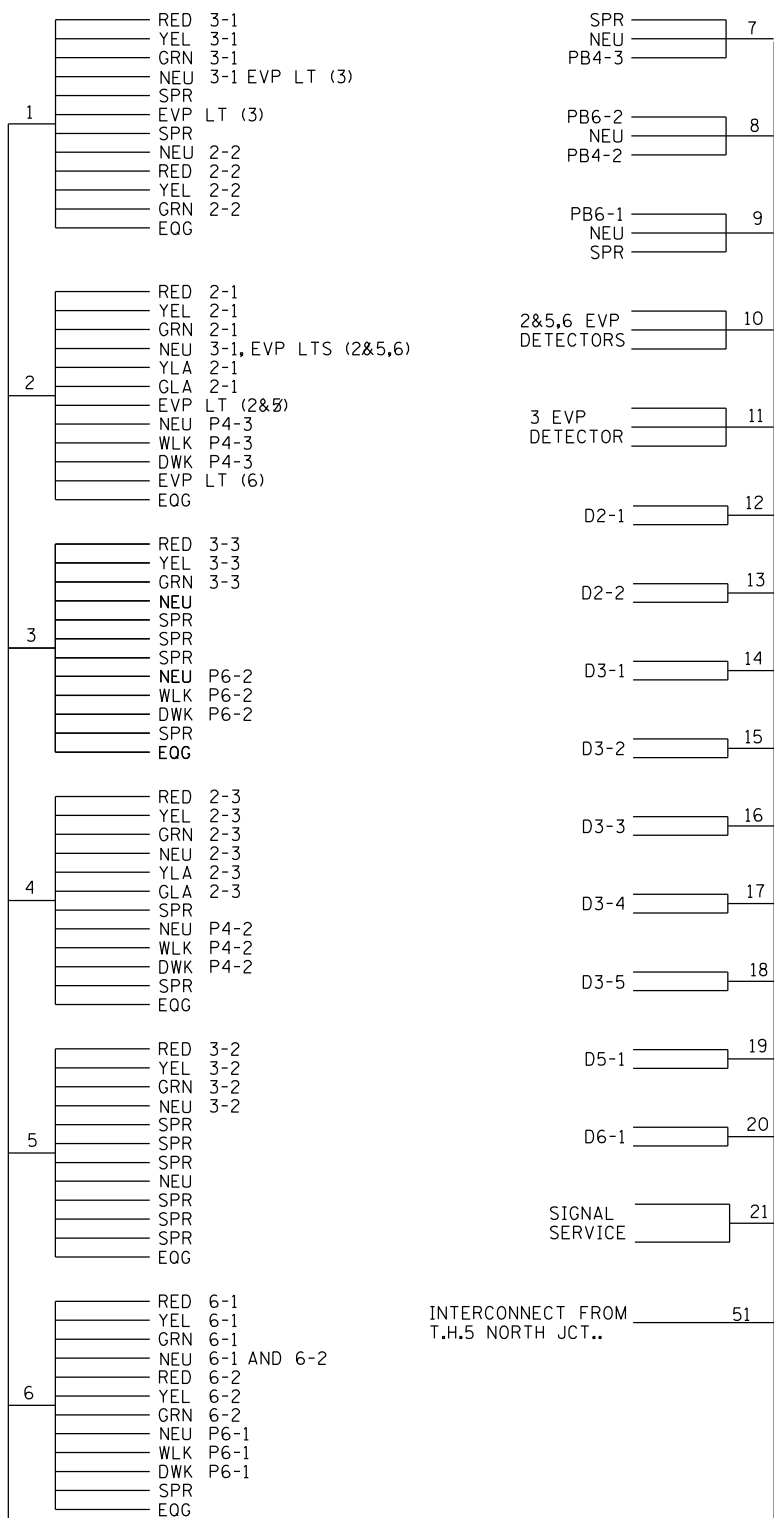
BY	DATE	REVISIONS
EJA	05-29-15	PLAN UPDATES & CORRECTIONS

SYSTEM ID: 21438 T.E. \_\_\_\_\_  
 METER ADDRESS: 1670 GENEVA AVE N  
 MASTER ID: \_\_\_\_\_ T.E. \_\_\_\_\_

MATCHLINE LAYOUT  
 T.H. 120 AT CSAH 30 (LARPEN TEUR AVE)  
 IN MAPLEWOOD, RAMSEY COUNTY  
 & OAKDALE, WASHINGTON COUNTY

S.A.P. NO. \_\_\_\_\_ DRAWN BY: \_\_\_\_\_ CKD BY: \_\_\_\_\_ DATE: \_\_\_\_\_  
 CERTIFIED BY: \_\_\_\_\_ LIC. NO. \_\_\_\_\_ DATE: \_\_\_\_\_  
LICENSED PROFESSIONAL ENGINEER  
 STATE PROJ. NO. \_\_\_\_\_ (T.H. 120) SHEET NO. 2 OF 3 SHEETS

# CONTROLLER CABINET



### CONDUCTOR COLOR CODING

R	R	
0	0	
BL	BL	5/C#12
WH	WH	
R/BLK		
O/BLK		
BL/BLK		
WH/BLK	R	3/C#12
BLK	WH	
BLK/WH	BLK	
G/BLK	R OR O	3/C#20
G	WH OR YEL	
	BLK OR BL	
2-1/C#6	BLK	2/C#14
	WH	
	CLEAR	

NOTE: ALL TERMINAL BLOCK CONNECTIONS SHALL BE ARRANGED AS SPECIFIED ABOVE

PLOTTED/REVISED: \$\$\$@DATE@\$\$\$

DISTRICT #: @DISTRICT@  
 IPLOT NAME: @@PLOT\$NAME@  
 PATH & FILENAME: \$\$\$@PATH\$FILENAME@\$\$\$

BY	DATE	REVISIONS	SYSTEM ID: 21438 _____ T.E. _____	WIRING DIAGRAM	S.A.P. NO. _____	DRAWN BY: _____	CKD BY: _____	DATE: _____
EJA	05-29-15	PLAN UPDATES & CORRECTIONS	METER ADDRESS: 1670 GENEVA AVE N _____	T.H. 120 AT CSAH 30 (LARPEN TEUR AVE)	CERTIFIED BY: _____	LIC. NO. _____	DATE: _____	
			MASTER ID: _____ T.E. _____	IN MAPLEWOOD, RAMSEY COUNTY	LICENSED PROFESSIONAL ENGINEER			
				& OAKDALE, WASHINGTON COUNTY	STATE PROJ. NO. _____ (T.H. 120)	SHEET NO. 2	OF 3	SHEETS