

PLOTTED/REVISED: 26-OCT-2022

DISTRICT *: Metro
PLOT NAME: layout
FILENAME: Projects\DM_FOS\494\0000\Traffic\Signals\11.8 TH494 @ (39)\VALLEY VIEW RD E RAMP 1736154\T1736154_sgl.dgn

SIGNAL FACES			
FACE	R LED	Y	G
5-1, 5-2	←	←	←
6-1, 6-2, 6-3	○	○	○
FACE	R	Y	G LED
2-1, 2-2	○	○	○

-EACH SIGNAL FACE HAVE A BACKGROUND SHIELD
-ALL SIGNAL INDICATIONS ARE 12 INCH
-PHASE 2 HEAD R AND Y ARE INCANDESCENT
-PHASE 5 AND PHASE 6 Y AND G HAVE GLASS LENSES

(A) EQUIPMENT PAD
SERVICE CABINET
CONTROLLER AND CABINET

CONTROLLER CABINET TO HH 1
4" RSC
1-12/C#12
1-5/C#12
1-3/C#12
2-2/C#14
1-3/C#20

CONTROLLER CABINET TO HH 11
4" RSC
1-12/C#12
1-3/C#12
1-2/C#14
1-3/C#20

3" RSC STUBBED OUT
2-FO PIGTAILS (6SM)

STEP DOWN TRANSFORMER TO SERVICE CABINET
2" RSC
1-1/C#4 INS.GR.
HH 11 TO HH 1
2" RSC
1-3/C#12

SERVICE CABINET TO HH 1
2" RSC
2-3/C#12
PANEL BOARD TO STEPDOWN TRANSFORMER
2" RSC
3-1/C#6
1-1/C#6 INS. GR.

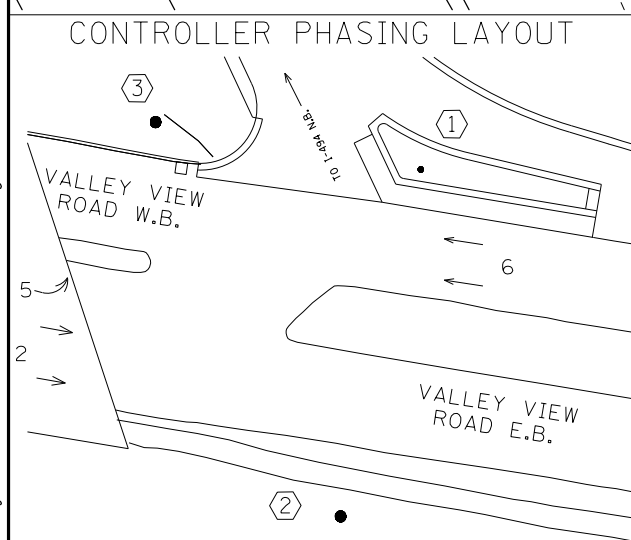
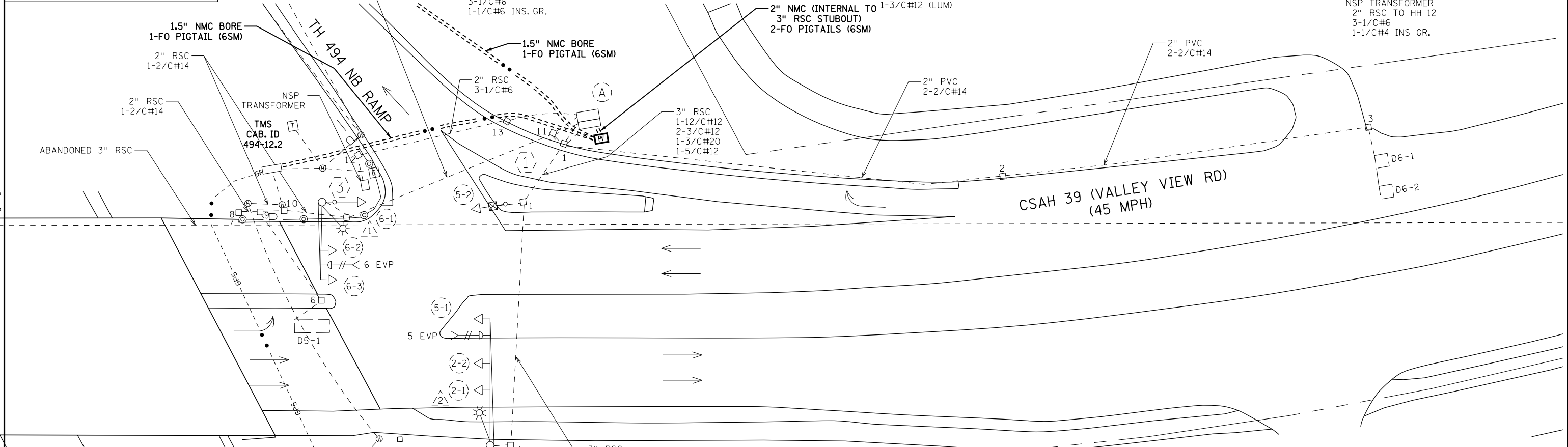
(1) PEDESTAL FOUNDATION
13' SIGNAL PEDESTAL AND BASE
TYPE 5A
1-SIGN (R6-1L) ONE WAY
2" RSC TO HH 5
1-5/C#12

(2) PA100 POLE FOUNDATION
TYPE PA100-A-15.2-D40-9 (DAVIT AT 350)
3-ONE WAY SIGNALS OVERHEAD (0', 11' AND 24' FROM END OF MAST ARM)
ONE WAY EVP DETECTOR AND CONFIRMATORY LIGHT (PHASE 5)
LUMINAIRE-200W HPS
3" RSC TO HH 4
1-12/C#12
1-3/C#12
1-3/C#20
1-3/C#12 (LUM)

(3) PA90 POLE FOUNDATION
TYPE PA90-A-30-D40-9 (DAVIT AT 350)
2-ONE WAY SIGNALS OVERHEAD (0' AND 11' FROM END OF MAST ARM)
TYPE 10A AT 270
ONE WAY EVP DETECTOR AND CONFIRMATORY LIGHT (PHASE 6)
LUMINAIRE-200W HPS
3" RSC TO HH 7
1-12/C#12
1-3/C#12
1-3/C#20
1-3/C#12 (LUM)

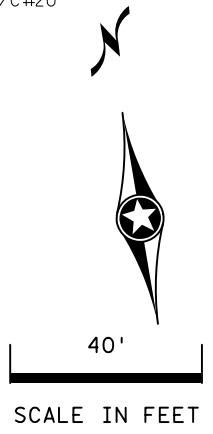
LOOP DETECTORS			
DESIGNATION	TYPE	NO. OF LOOPS	LOCATION
D5-1	SAW CUT	1	AS SHOWN
D6-1, D6-2	PVC	1	390

-ALL LOOP DETECTORS SHALL BE 6'X6' UNLESS OTHERWISE SPECIFIED
-D5-1 SHALL BE 6'X15'
-LOCATION: DISTANCE FROM STOP BAR IN FEET



SIGNAL SYSTEM OPERATION

- FLASH MODE IS RED
- NORMAL OPERATION IS THREE PHASE
- PHASE FIVE SHALL BE A PROTECTED LEFT TURN
- PHASE TWO SHALL BE CONSTANT GREEN
- PHASE SIX SHALL BE ON VEHICLE RECALL



BY	DATE	REVISIONS	SYSTEM ID: 1736154	T.E. 18531	S.A.P. NO.	DRAWN BY:	CKD BY:	DATE:
SJK	10/26/22	AS-BUILT PLAN SP 8825-629	METER ADDRESS: 12010 VALLEY VIEW RD	OLD SYSTEM ID: 22230	CERTIFIED BY _____	LIC. NO. _____	DATE: _____	
					STATE PROJ.NO. 8825-269 (T.H.494) SHEET NO. 1 OF 2 SHEETS			

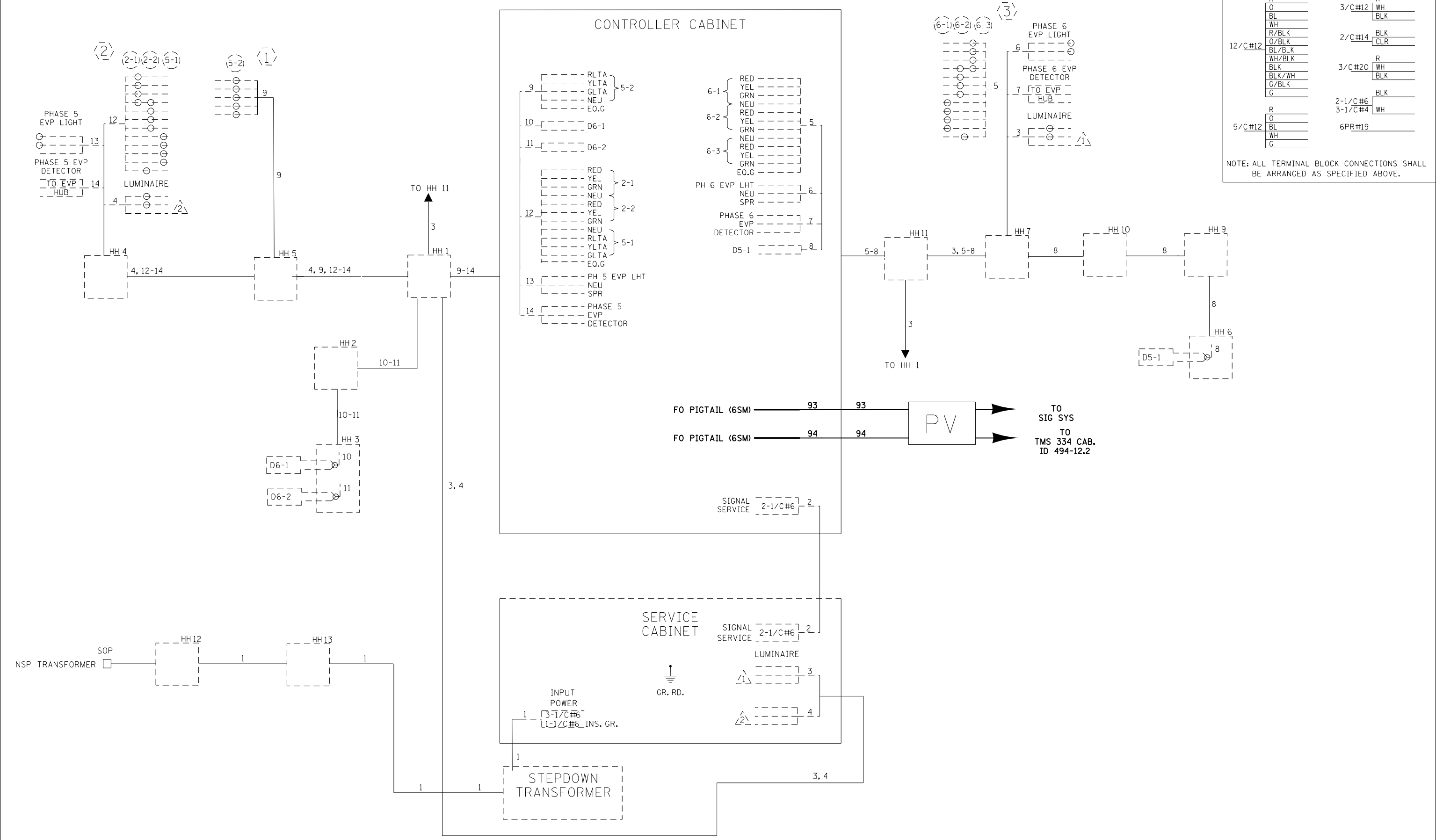
PLOTTED/REVISED: 26-OCT-2022

DISTRICT *: Metro
 PLOT NAME: wiring diagram
 FILENAME: Projects\DM_FOS\494000001Traffic\Signal\118 TH494 @ (39) VALLEY VIEW RD E RAMP 1736154\1736154_sgl.dgn

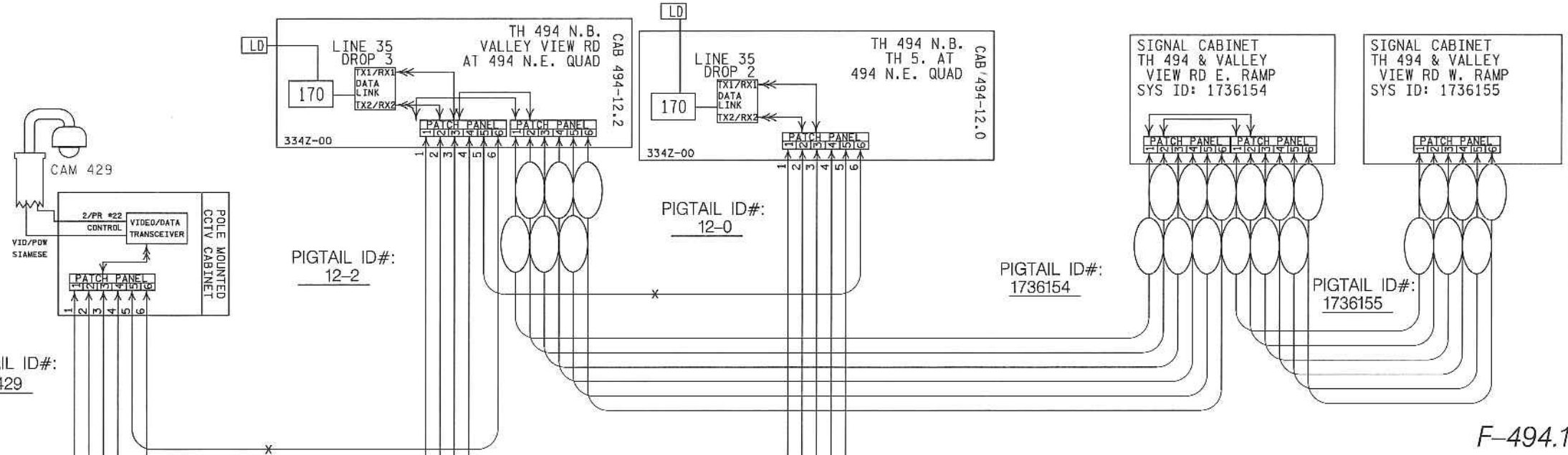
CONDUCTOR COLOR CODING

R	3/C#12	R	WH
O		BLK	BLK
BL			
WH	2/C#14	BLK	BLK
R/BLK		CLR	
O/BLK			
BL/BLK			
WH/BLK	3/C#20	R	WH
BLK		BLK	BLK
BLK/WH			
G/BLK			
G		BLK	
R	2-1/C#6		
O			
BL	3-1/C#4	WH	
WH			
G	6PR#19		

NOTE: ALL TERMINAL BLOCK CONNECTIONS SHALL BE ARRANGED AS SPECIFIED ABOVE.

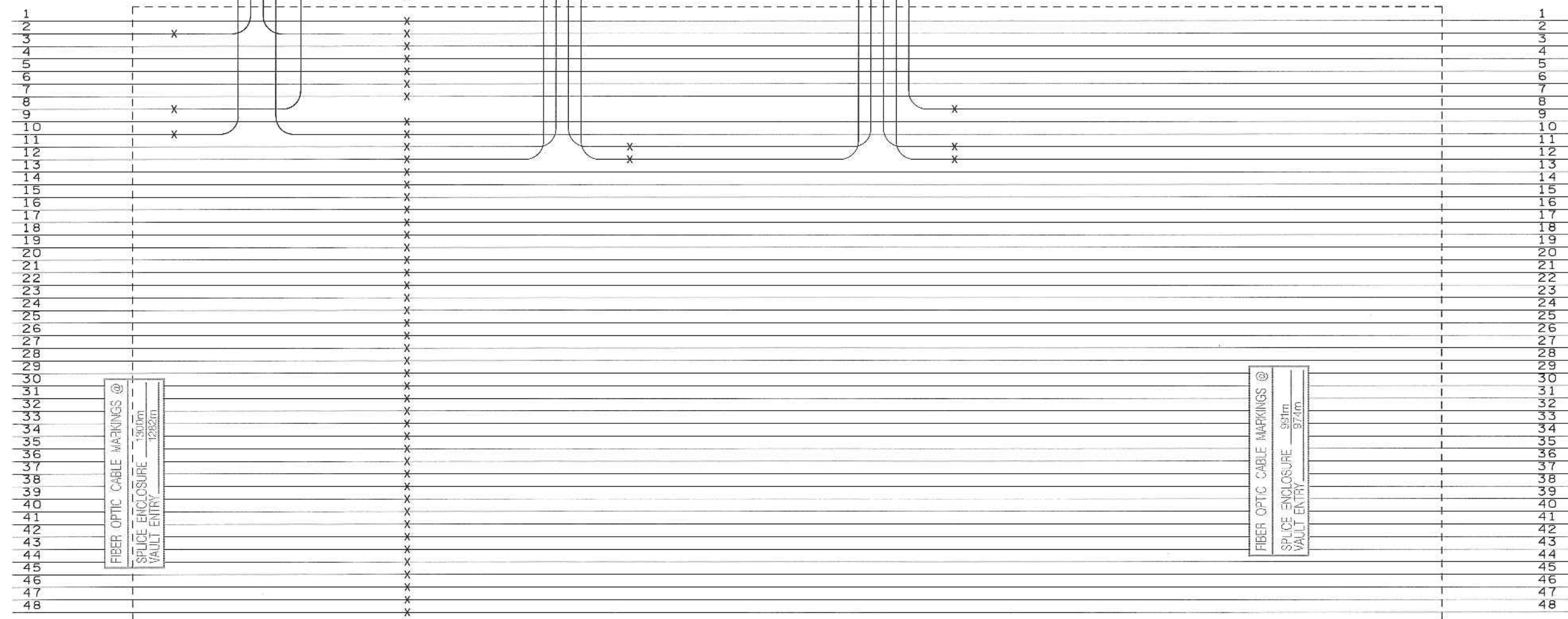


BY	DATE	REVISIONS	SYSTEM ID: 1736154	T.E. 18531	S.A.P. NO.	DRAWN BY:	CKD BY:	DATE:
SJK	10/26/22	AS-BUILT PLAN SP 8825-629	METER ADDRESS: 12010 VALLEY VIEW RD		CERTIFIED BY	LICENSED PROFESSIONAL ENGINEER	LIC. NO.	DATE:
			OLD SYSTEM ID: 22230		STATE PROJ. NO. 8825-269 (T.H.494) SHEET NO. 2 OF 2 SHEETS			



F-494.2

F-494.1



FIBER OPTIC CABLE MARKINGS @
 SPlice ENCLOSURE 1300m
 VAULT ENTRY 1282m

FIBER OPTIC CABLE MARKINGS @
 SPlice ENCLOSURE 987m
 VAULT ENTRY 974m

FIBER OPTIC CABLE MARKINGS @
 SHELTER FIBER PACK N/A
 SHELTER ENTRY

FIBER DISTRIBUTION FRAME

494-11.9
 PATCHING SHELTER
 TH 494 & TH5

TRUNK ID# 494-2

SPLICE VAULT

TH 494 S.B. AT
 VALLEY VIEW RD

NEW CASE - LOOKS OK

TRUNK ID# 494-1

S.A.P. 027-661-056
 S.A.P. 027-639-008
 S.A.P. 181-030-003

12:58:17 PM
 11/26/2019

NO	DATE	DWN	CKD	REVISIONS
0				



I HEREBY CERTIFY THAT THIS SHEET WAS PREPARED BY ME OR UNDER MY DIRECT SUPERVISION AND THAT I AM A DULY LICENSED PROFESSIONAL ENGINEER UNDER THE LAWS OF THE STATE OF MINNESOTA.

PRINT NAME: DEREK NIEVEEN
 SIGNATURE: *Derek Nieveen*
 DATE 11/18/2019 LICENSE # 52242

FIBER SCHEMATICS
 MNDOT

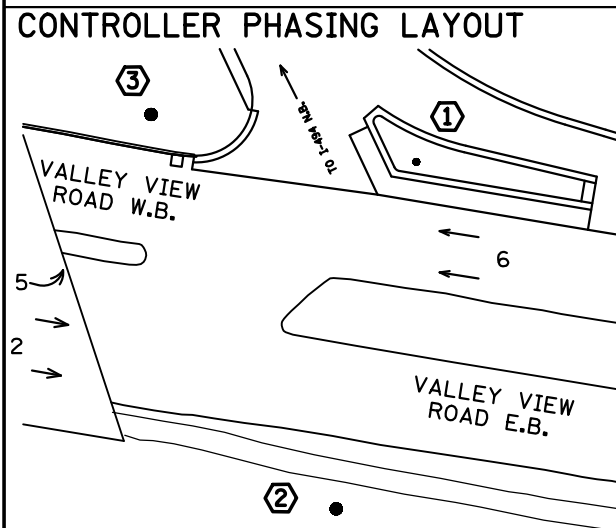
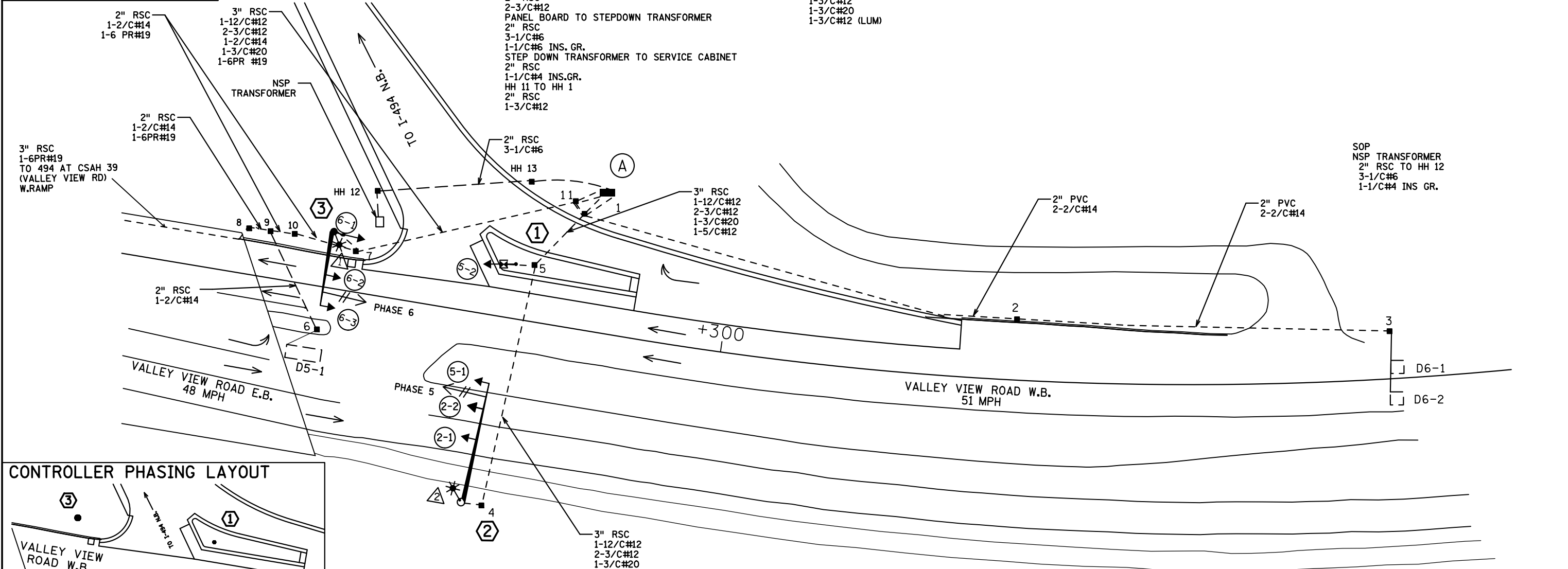
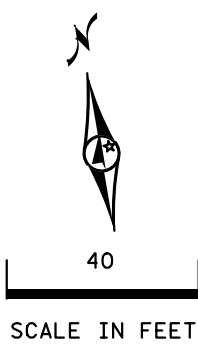
S.P. 8825-629
 SHEET NO. 125 OF 213 SHEETS

PLOTTED/REVISED: 10/8/2012

DISTRICT #: METRO
IPLOT NAME: layout
PATH & FILENAME: IP_PWP-d0782337\T22230_sgl.dgn

SIGNAL FACES			
FACE	R LED	Y	G
5-1, 5-2	←	←	←
6-1, 6-2, 6-3	●	●	●
FACE	R	Y	G LED
2-1, 2-2	●	●	●

-EACH SIGNAL FACE HAVE A BACKGROUND SHIELD
-ALL SIGNAL INDICATIONS ARE 12 INCH
-PHASE 2 HEAD R AND Y ARE INCANDESCENT
-PHASE 5 AND PHASE 6 Y AND G HAVE GLASS LENSES



SIGNAL SYSTEM OPERATION

- FLASH MODE IS RED
- NORMAL OPERATION IS THREE PHASE
- PHASE FIVE SHALL BE A PROTECTED LEFT TURN
- PHASE TWO SHALL BE CONSTANT GREEN
- PHASE SIX SHALL BE ON VEHICLE RECALL

(A) EQUIPMENT PAD
SERVICE CABINET
CONTROLLER AND CABINET
CONTROLLER CABINET TO HH 1
4" RSC
1-12/C#12
1-5/C#12
1-3/C#12
2-2/C#14
1-3/C#20
CONTROLLER CABINET TO HH 11
4" RSC
1-12/C#12
1-3/C#12
1-2/C#14
1-3/C#20
1-6PR#19
3" RSC STUBBED OUT OF CONTROLLER CABINET (THREADED AND CAPPED BOTH ENDS)
SERVICE CABINET TO HH 1
2" RSC
2-3/C#12
PANEL BOARD TO STEPDOWN TRANSFORMER
2" RSC
3-1/C#6
1-1/C#6 INS. GR.
STEP DOWN TRANSFORMER TO SERVICE CABINET
2" RSC
1-1/C#4 INS. GR.
HH 11 TO HH 1
2" RSC
1-3/C#12

(1) PEDESTAL FOUNDATION
13' SIGNAL PEDESTAL AND BASE
TYPE 5A
1-SIGN (R6-1L) ONE WAY
2" RSC TO HH 5
1-5/C#12

(2) PA100 POLE FOUNDATION
TYPE PA100-A-15.2-D40-9 (DAVIT AT 350)
3-ONE WAY SIGNALS OVERHEAD (0', 11' AND 24' FROM END OF MAST ARM)
ONE WAY EVP DETECTOR AND CONFIRMATORY LIGHT (PHASE 5)
LUMINAIRE-200W HPS
3" RSC TO HH 4
1-12/C#12
1-3/C#12
1-3/C#20
1-3/C#12 (LUM)

(3) PA90 POLE FOUNDATION
TYPE PA90-A-30-D40-9 (DAVIT AT 350)
2-ONE WAY SIGNALS OVERHEAD (0' AND 11' FROM END OF MAST ARM)
TYPE 10A AT 270
ONE WAY EVP DETECTOR AND CONFIRMATORY LIGHT (PHASE 6)
LUMINAIRE-200W HPS
3" RSC TO HH 7
1-12/C#12
1-3/C#12
1-3/C#20
1-3/C#12 (LUM)

LOOP DETECTORS			
DESIGNATION	TYPE	NO. OF LOOPS	LOCATION
D5-1	SAW CUT	1	AS SHOWN
D6-1, D6-2	PVC	1	390

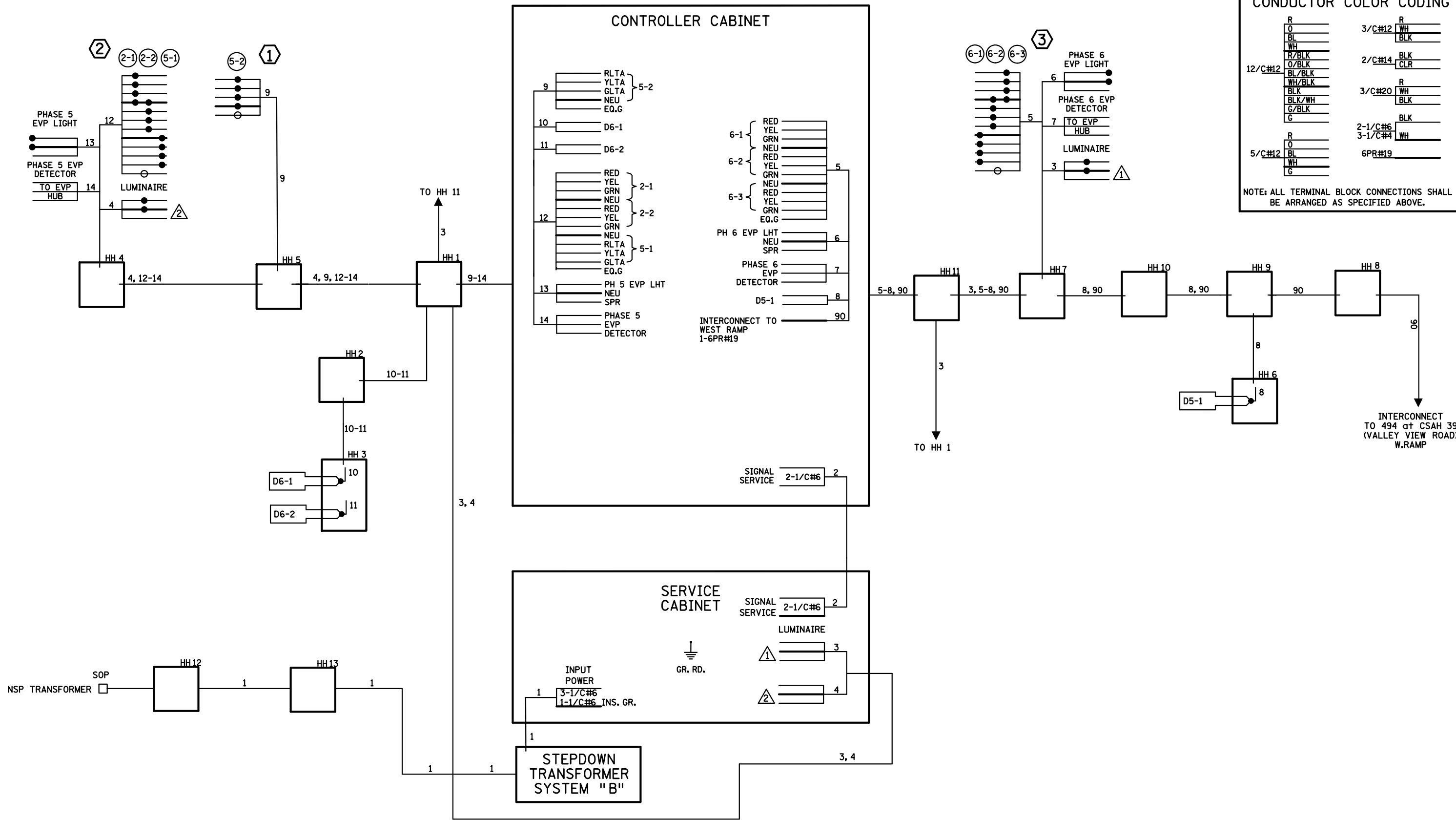
-ALL LOOP DETECTORS SHALL BE 6'X6' UNLESS OTHERWISE SPECIFIED
-D5-1 SHALL BE 6'X15'
-LOCATION: DISTANCE FROM STOP BAR IN FEET

SOP
NSP TRANSFORMER
2" RSC TO HH 12
3-1/C#6
1-1/C#4 INS GR.

BY: SJK	DATE: 10-04-12	REVISIONS: CLEANED UP PRINT	SYSTEM ID: 22230	T.E.	INTERSECTION LAYOUT VALLEY VIEW ROAD AT T.H. 494 EAST RAMP IN EDEN PRAIRIE, HENNEPIN COUNTY	S.A.P. NO.	DRAWN BY: SJK	CKD BY: EJA	DATE:
			METER ADDRESS: 12010 VALLEY VIEW ROAD	T.E.		CERTIFIED BY: _____	LIC. NO. _____	DATE: _____	
			MASTER ID:		STATE PROJ. NO.	(T.H. 494)	SHEET NO.	1 OF	2 SHEETS

PLOTTED/REVISED: 10/8/2012

DISTRICT #: METRO
 IPLOT NAME: wiring diagram
 PATH & FILENAME: IP_PWP-d0782337\T22230_sgl.dgn



BY	DATE	REVISIONS	SYSTEM ID: 22230	T.E.	S.A.P. NO.	DRAWN BY: SJK	CKD BY: EJA	DATE:
SJK	10-04-12	CLEANED UP PRINT	METER ADDRESS: 12010 VALLEY VIEW ROAD		CERTIFIED BY _____	LIC. NO. _____	DATE: _____	
			MASTER ID:	T.E.	STATE PROJ. NO.	(T.H. 494)	SHEET NO.	2 OF 2 SHEETS

CONTROLLER CABINET

SERVICE CABINET

STEPDOWN TRANSFORMER SYSTEM "B"