

DISTRICT #: Metro  
 IPLOT NAME: layout  
 PATH & FILENAME: Projects\DM\_FOS\4940000\Traffic\Signal\1.9 TH494 @ (39)\VALLEY VIEW RD W RAMP 1736155\T1736155\REVISED: 26-OCT-2022

② PAB5 POLE FOUNDATION  
 TYPE PAB5-A-25-D40-9 (DAVIT AT 350")  
 2-ONE WAY SIGNALS OVERHEAD  
 (0' AND 12' FROM END OF MAST ARM)  
 TYPE 10A AT 0"  
 TYPE 10A AT 270"  
 ONE WAY EVP DETECTOR AND  
 CONFIRMATORY LIGHT (PHASE 2)  
 LUMINAIRE-200W HPS  
 1-SIGN (R6-1L) ONE WAY  
 3" RSC TO HH 3  
 1-12/C#12  
 1-5/C#12  
 1-3/C#12  
 1-3/C#20  
 1-3/C#12 (LUM).

③ PAB5 POLE FOUNDATION  
 TYPE PAB5-20  
 ONE WAY SIGNAL OVERHEAD  
 TYPE 10A AT 270"  
 ONE WAY EVP DETECTOR AND  
 CONFIRMATORY LIGHT (PHASE 4)  
 3" RSC TO HH 4  
 1-12/C#12  
 1-3/C#12  
 1-3/C#20

Ⓐ EQUIPMENT PAD  
 SERVICE CABINET  
 CONTROLLER AND CABINET  
 CONTROLLER CABINET TO HH 1  
 3" RSC  
 2-12/C#12  
 1-5/C#12  
 2-3/C#12  
 4-2/C#14  
 1-4/C#18  
 2-3/C#20

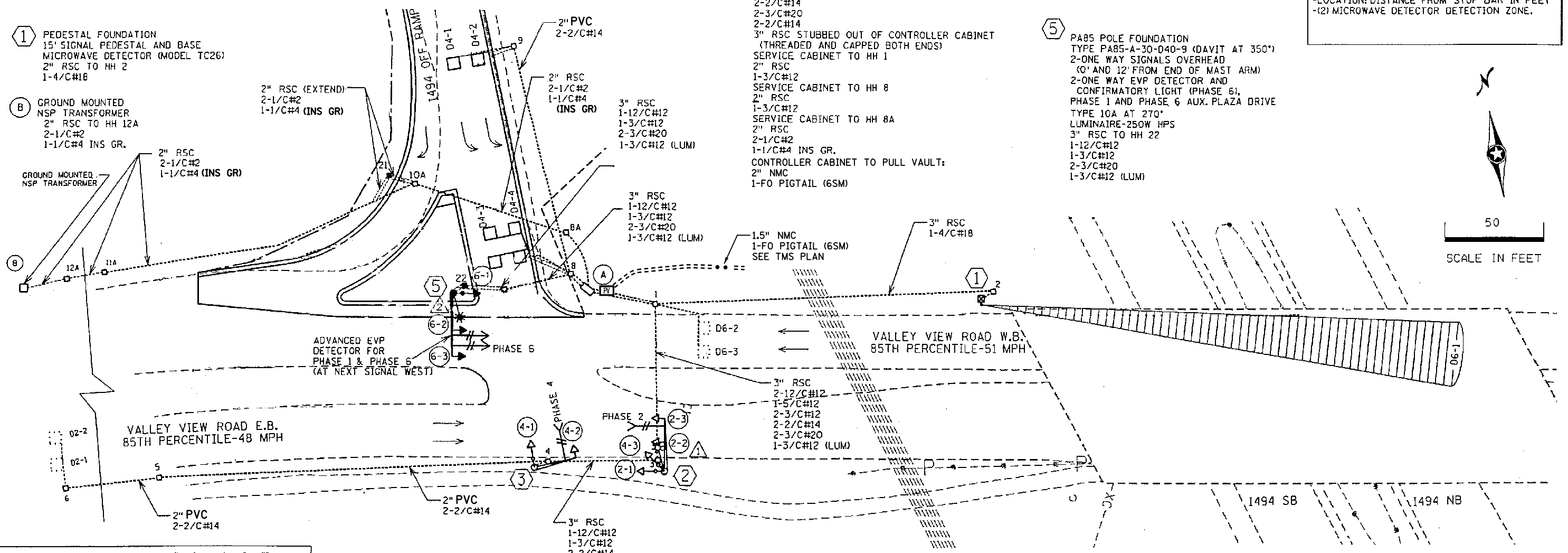
CONTROLLER CABINET TO HH 8  
 3" RSC  
 1-12/C#12  
 1-3/C#12  
 2-2/C#14  
 2-3/C#20  
 2-2/C#14  
 3" RSC STUBBED OUT OF CONTROLLER CABINET  
 (THREADED AND CAPPED BOTH ENDS)  
 SERVICE CABINET TO HH 1  
 2" RSC  
 1-3/C#12  
 SERVICE CABINET TO HH 8  
 2" RSC  
 1-3/C#12  
 SERVICE CABINET TO HH 8A  
 2" RSC  
 2-1/C#2  
 1-1/C#4 INS GR.  
 CONTROLLER CABINET TO PULL VAULT:  
 2" NMC  
 1-FO PIGTAIL (6SM)

⑤ PAB5 POLE FOUNDATION  
 TYPE PAB5-A-30-D40-9 (DAVIT AT 350")  
 2-ONE WAY SIGNALS OVERHEAD  
 (0' AND 12' FROM END OF MAST ARM)  
 2-ONE WAY EVP DETECTOR AND  
 CONFIRMATORY LIGHT (PHASE 6),  
 PHASE 1 AND PHASE 6 AUX. PLAZA DRIVE  
 TYPE 10A AT 270"  
 LUMINAIRE-250W HPS  
 3" RSC TO HH 22  
 1-12/C#12  
 1-3/C#12  
 2-3/C#20  
 1-3/C#12 (LUM)

① PEDESTAL FOUNDATION  
 15' SIGNAL PEDESTAL AND BASE  
 MICROWAVE DETECTOR (MODEL TC26)  
 2" RSC TO HH 2  
 1-4/C#18

Ⓑ GROUND MOUNTED  
 NSP TRANSFORMER  
 2" RSC TO HH 12A  
 2-1/C#2  
 1-1/C#4 INS GR.

GROUND MOUNTED  
 NSP TRANSFORMER  
 2" RSC  
 2-1/C#2  
 1-1/C#4 (INS GR)

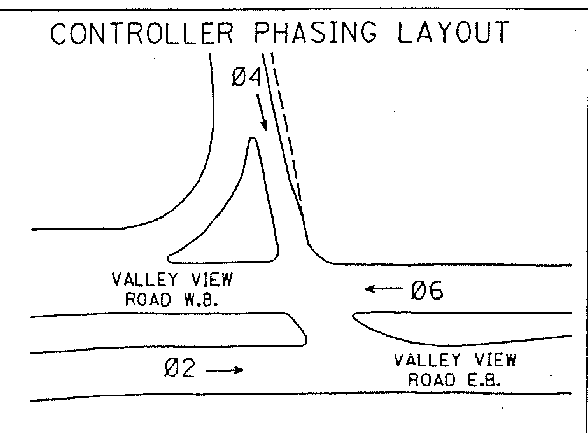
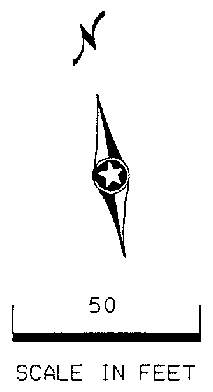


SIGNAL FACES			
FACE	R	Y	G
2-1, 2-2, 2-3	○	○	○
4-1, 4-2, 4-3	○	○	○
6-1, 6-2, 6-3	○	○	○

-EACH SIGNAL FACE HAS A BACKGROUND SHIELD  
 -ALL SIGNAL INDICATIONS ARE 12"  
 -ALL NEW SIGNAL INDICATIONS SHALL BE LED

LOOP DETECTORS			
DESIGNATION	TYPE	NO. OF LOOPS	LOCATION
D2-1, D2-2	PVC	1	394
D4-1, D4-2	PVC	1	120
D4-3, D4-4	PVC	2	5,20
D6-1	(2)	-	394
D6-2, D6-3	PVC	1	56

-ALL LOOP DETECTORS ARE 6'X6'  
 -UNLESS OTHERWISE SPECIFIED  
 -LOCATION: DISTANCE FROM STOP BAR IN FEET  
 -(2) MICROWAVE DETECTOR DETECTION ZONE.

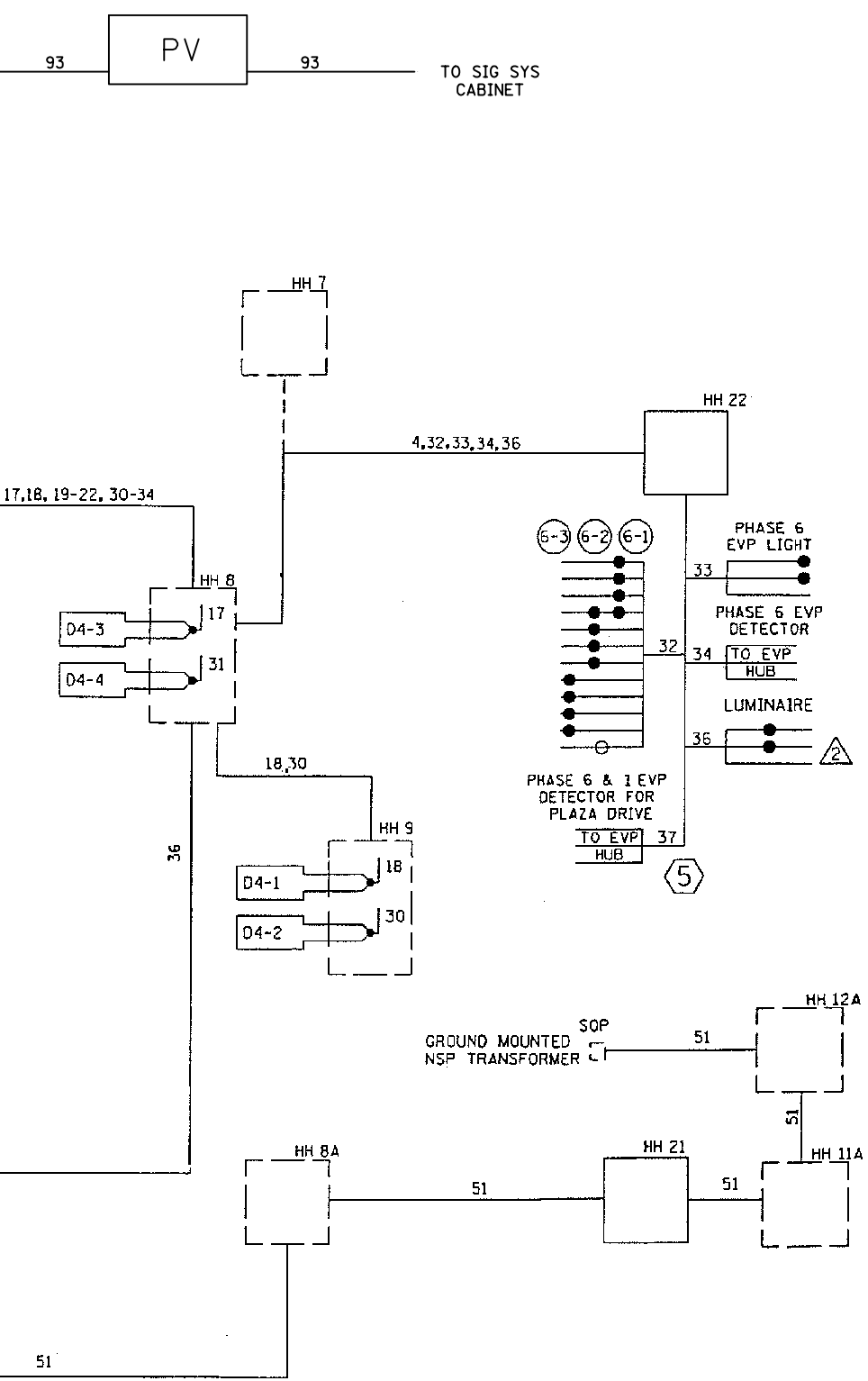
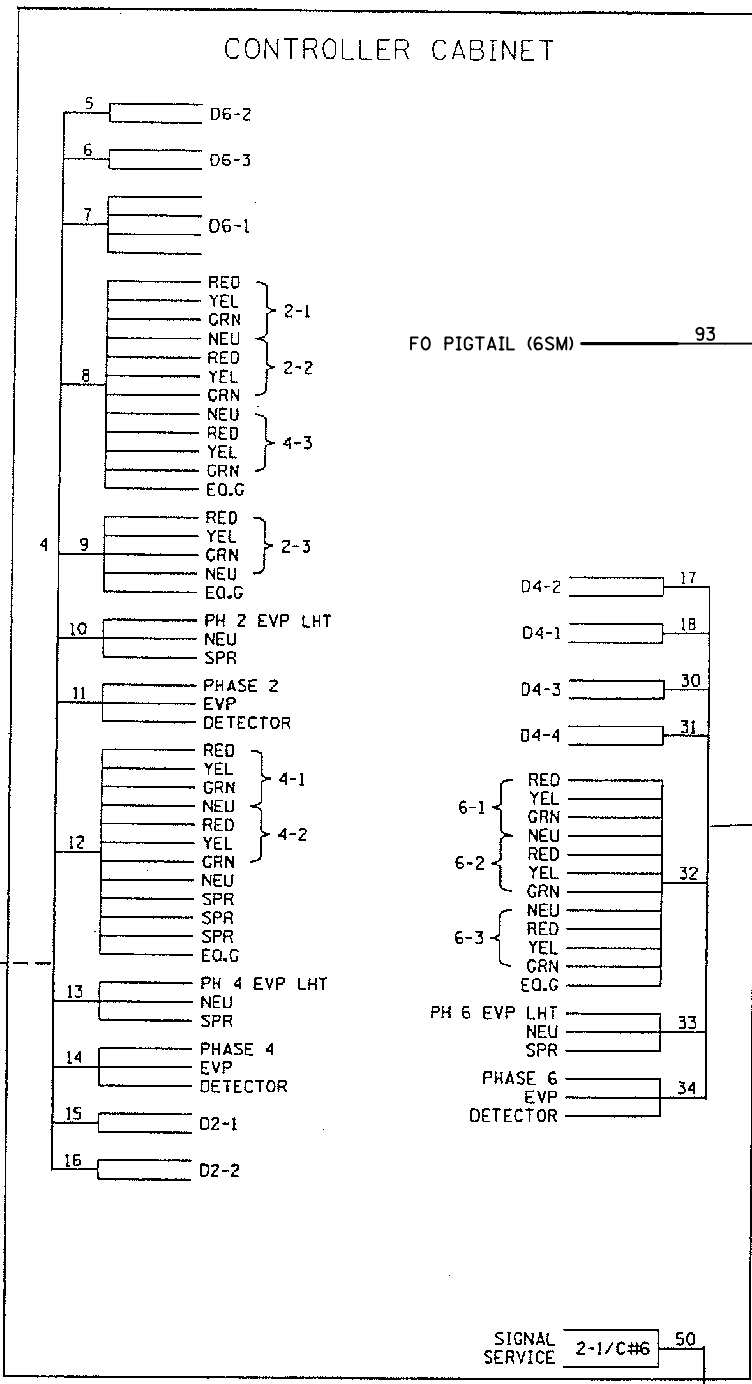
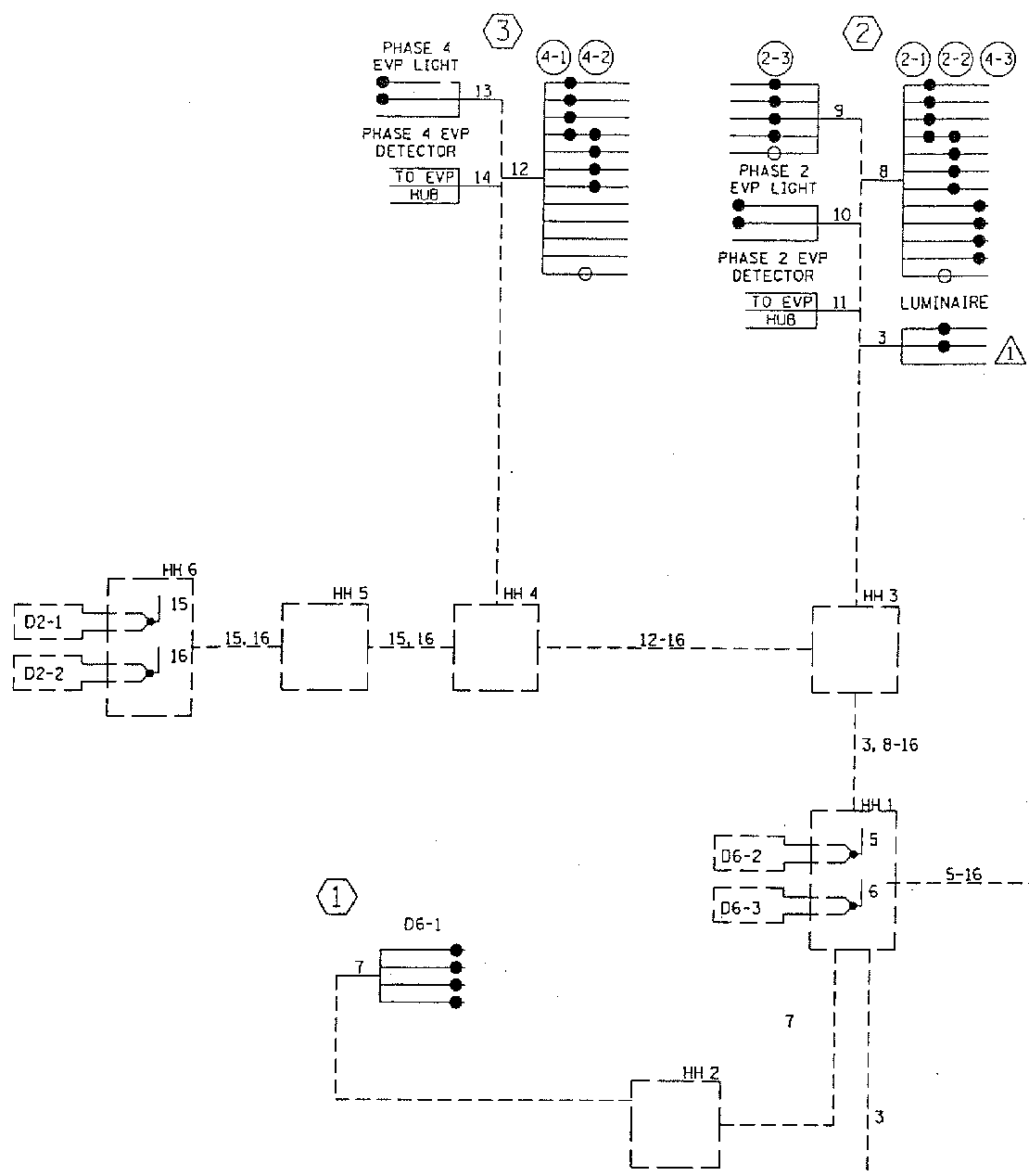


**SIGNAL SYSTEM OPERATION**

- FLASH MODE IS ALL RED
- NORMAL OPERATION IS THREE PHASE
- PHASE TWO AND PHASE SIX SHALL BE ON VEHICLE RECALL

BY: SJK	DATE: 10-26-22	REVISIONS: AS-BUILT PLAN SP 8825-629	SYSTEM ID: 1736155	T.E.	METER ADDRESS: 12010 VALLEY VIEW ROAD	MASTER ID: 22231	T.E.	INTERSECTION LAYOUT VALLEY VIEW ROAD AT T.H. 494 WEST RAMP IN EDEN PRAIRIE, HENNEPIN COUNTY	S.A.P. NO.	CERTIFIED BY: _____ LICENSED PROFESSIONAL ENGINEER	LIC. NO. _____	DATE: _____	DRAWN BY: SJK	CKD BY: _____	DATE: _____	STATE PROJ. NO. 8825-629 (T.H.494)	SHEET NO. 1 OF 2 SHEETS
---------	----------------	--------------------------------------	--------------------	------	---------------------------------------	------------------	------	------------------------------------------------------------------------------------------------------	------------	-------------------------------------------------------	----------------	-------------	---------------	---------------	-------------	------------------------------------	-------------------------

DISTRICT #: Metro  
 IPLOT NAME: wiring diagram  
 PATH & FILENAME: Projects\DM\_POS\4940000\Traffic\Signal\I.9 TH494 @ (391) VALLEY VIEW RD W RAMP 1736155\T1736155E\WRTL50\DWG\REVISED: 26-OCT-2022

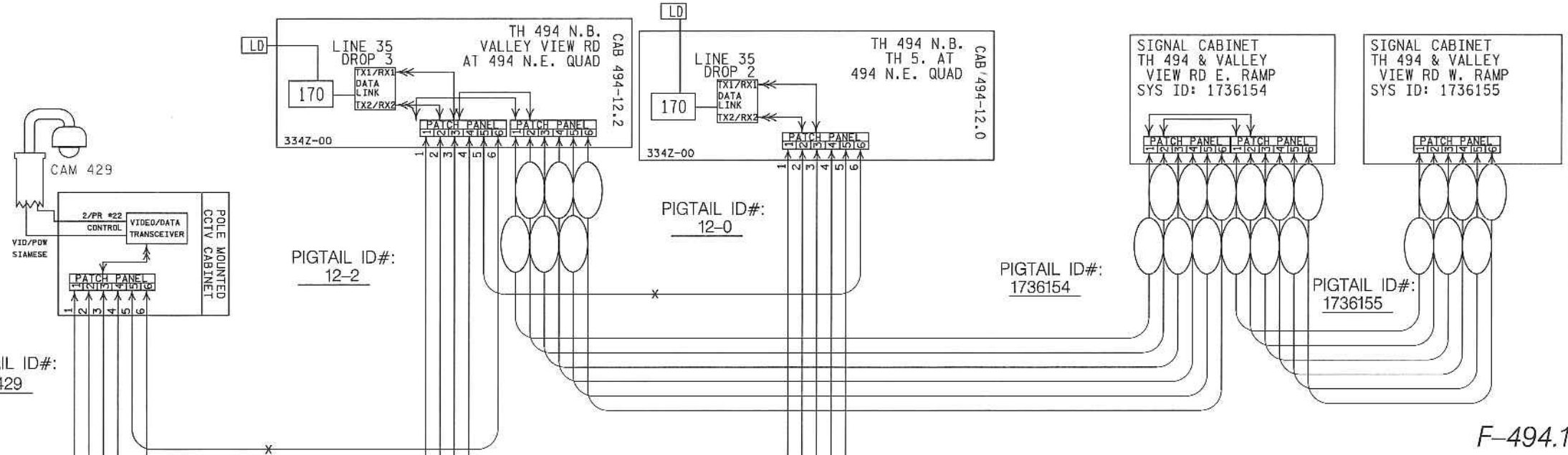


**CONDUCTOR COLOR CODING**

R	3/C#12	R
O		WH
BL		BLK
WH	2/C#14	BLK
R/BLK		CLR
O/BLK		
BL/BLK	3/C#20	R
WH/BLK		WH
BLK		BLK
BLK/WH		BLK
G/BLK	2-1/C#6	BLK
G		
R	3-1/C#4	WH
O		
BL	6PR#19	
WH		
G		

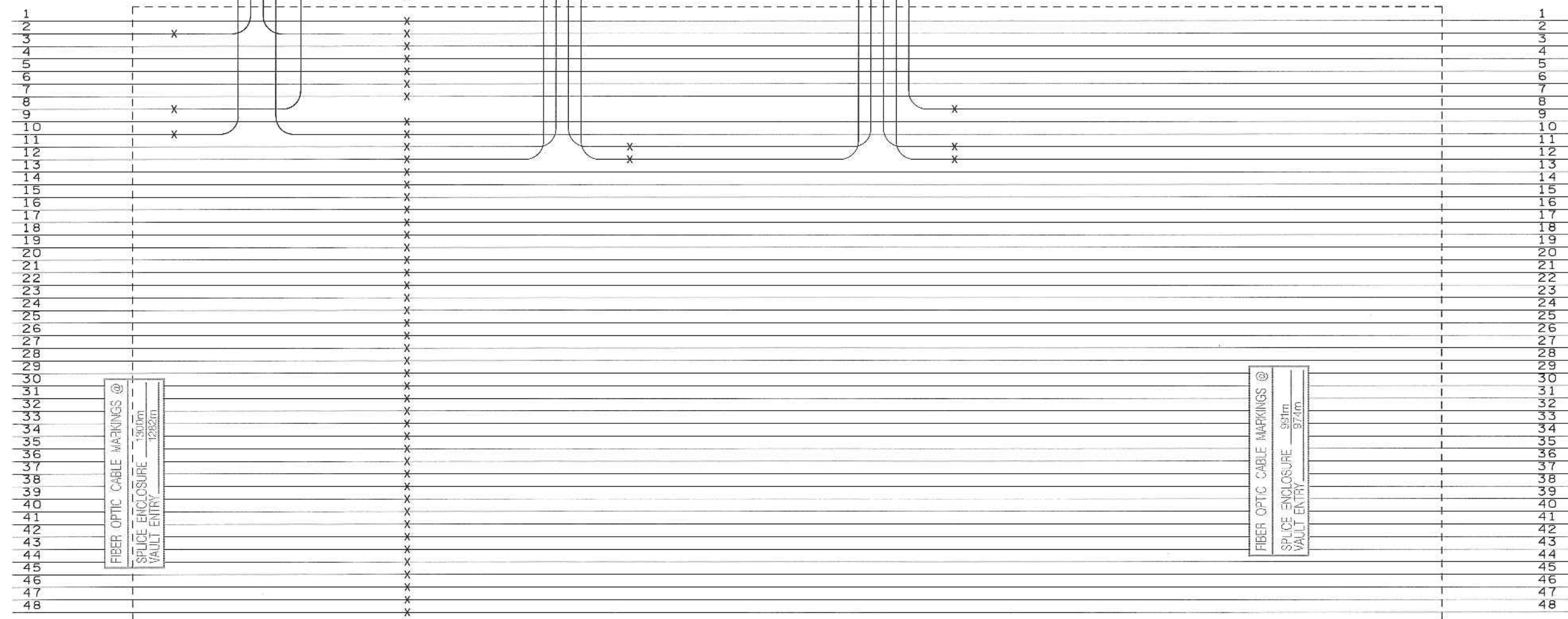
NOTE: ALL TERMINAL BLOCK CONNECTIONS SHALL BE ARRANGED AS SPECIFIED ABOVE.

BY: SJK	DATE: 10-26-22	REVISIONS: AS-BUILT PLAN SP 8825-629	SYSTEM ID: 1736155	T.E.	<b>WIRING DIAGRAM</b> VALLEY VIEW ROAD AT T.H. 494 WEST RAMP IN EDEN PRAIRIE, HENNEPIN COUNTY	S.A.P. NO.	DRAWN BY: SJK	CKD BY:	DATE:
			METER ADDRESS: 12010 VALLEY VIEW ROAD	T.E.		CERTIFIED BY _____ <small>LICENSED PROFESSIONAL ENGINEER</small> LIC. NO. _____ DATE: _____	STATE PROJ. NO. 8825-269 (T.H.494)	SHEET NO. 2 OF 2 SHEETS	



F-494.2

F-494.1



FIBER OPTIC CABLE MARKINGS @  
SHELTER FIBER PACK N/A  
SHELTER ENTRY

FIBER DISTRIBUTION FRAME

494-11.9  
PATCHING SHELTER  
TH 494 & TH5

TRUNK ID# 494-2

SPLICE VAULT

TH 494 S.B. AT  
VALLEY VIEW RD

NEW CASE - LOOKS OK

TRUNK ID# 494-1

S.A.P. 027-661-056  
S.A.P. 027-639-008  
S.A.P. 181-030-003

12:58:17 PM 11/26/2019 \\P01\cctv\2019\190091\DESIGN\Plan Sheets\cd8825629\_scm01.dgn

NO	DATE	DWN	CKD	REVISIONS
0				



I HEREBY CERTIFY THAT THIS SHEET WAS PREPARED BY ME OR UNDER MY DIRECT SUPERVISION AND THAT I AM A DULY LICENSED PROFESSIONAL ENGINEER UNDER THE LAWS OF THE STATE OF MINNESOTA.

PRINT NAME: DEREK NIEVEEN  
SIGNATURE: *Derek Nieveen*  
DATE: 11/18/2019 LICENSE #: 52242

FIBER SCHEMATICS  
MNDOT

S.P. 8825-629  
SHEET NO. 125 OF 213 SHEETS

PLOTTED/REVISED: 10/2/2012

- ② PA85 POLE FOUNDATION  
 TYPE PA85-A-25-D40-9 (DAVIT AT 350")  
 2-ONE WAY SIGNALS OVERHEAD  
 (0' AND 12' FROM END OF MAST ARM)  
 TYPE 10A AT 0"  
 TYPE 10A AT 270"  
 ONE WAY EVP DETECTOR AND  
 CONFIRMATORY LIGHT (PHASE 2)  
 LUMINAIRE-200W HPS  
 1-SIGN (R6-1L) ONE WAY  
 3" RSC TO HH 3  
 1-12/C#12  
 1-5/C#12  
 1-3/C#12  
 1-3/C#20  
 1-3/C#12 (LUM).

- ③ PA85 POLE FOUNDATION  
 TYPE PA85-20  
 ONE WAY SIGNAL OVERHEAD  
 TYPE 10A AT 270"  
 ONE WAY EVP DETECTOR AND  
 CONFIRMATORY LIGHT (PHASE 4)  
 3" RSC TO HH 4  
 1-12/C#12  
 1-3/C#12  
 1-3/C#20

- Ⓐ EQUIPMENT PAD  
 SERVICE CABINET  
 CONTROLLER AND CABINET, AND MASTER CONTROLLER UNIT  
 CONTROLLER CABINET TO HH 1  
 3" RSC  
 2-12/C#12  
 1-5/C#12  
 2-3/C#12  
 4-2/C#14  
 1-4/C#18  
 2-3/C#20  
 1-6PR#19  
 CONTROLLER CABINET TO HH 8  
 3" RSC  
 1-12/C#12  
 1-3/C#12  
 2-2/C#14  
 2-3/C#20  
 2-2/C#14  
 3" RSC STUBBED OUT OF CONTROLLER CABINET  
 (THREADED AND CAPPED BOTH ENDS)  
 SERVICE CABINET TO HH 1  
 2" RSC  
 1-3/C#12  
 SERVICE CABINET TO HH 8  
 2" RSC  
 1-3/C#12  
 SERVICE CABINET TO HH 8A  
 2" RSC  
 2-1/C#2  
 1-1/C#4 INS GR.

SIGNAL FACES			
FACE	R LED	Y	G
2-1, 2-2, 2-3	○	○	○
4-1, 4-2, 4-3	○	○	○
6-1, 6-2, 6-3	○	○	○

-EACH SIGNAL FACE HAS A BACKGROUND SHIELD  
 -ALL SIGNAL INDICATIONS ARE 12"  
 -ALL NEW SIGNAL INDICATIONS SHALL BE LED

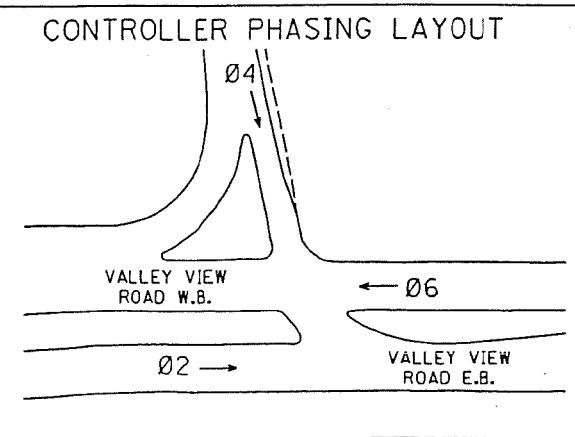
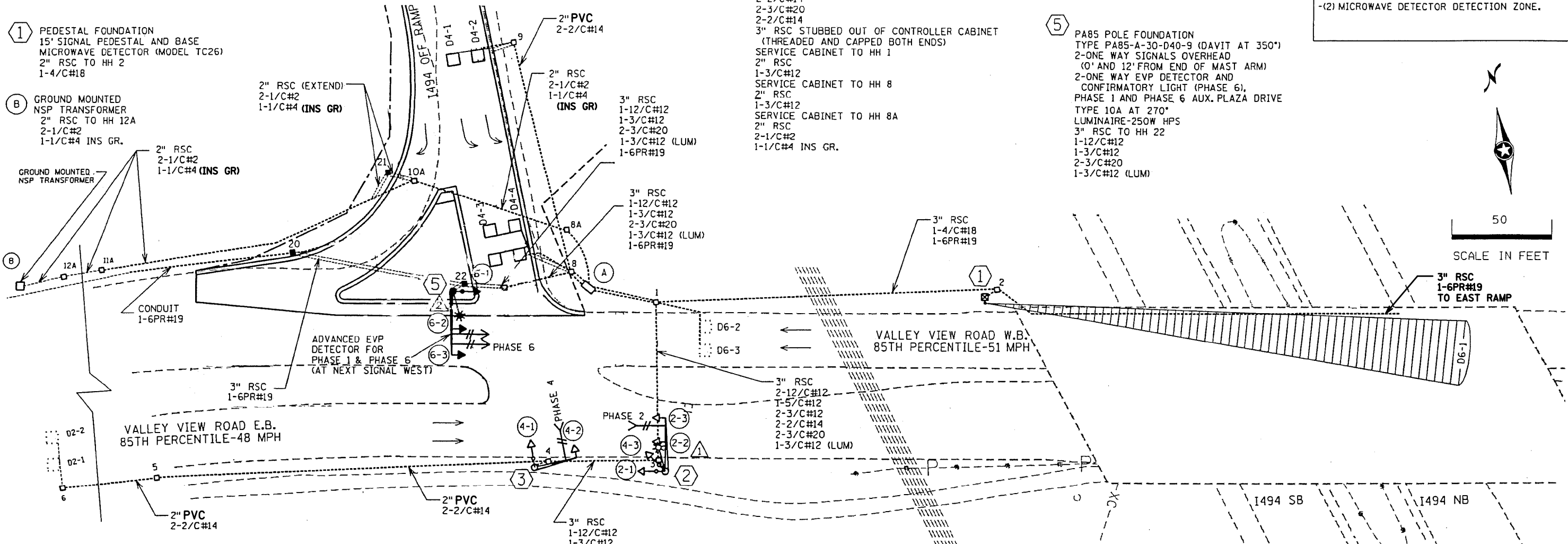
LOOP DETECTORS			
DESIGNATION	TYPE	NO. OF LOOPS	LOCATION
D2-1, D2-2	PVC	1	394
D4-1, D4-2	PVC	1	120
D4-3, D4-4	PVC	2	5,20
D6-1	(2)	-	394
D6-2, D6-3	PVC	1	56

-ALL LOOP DETECTORS ARE 6'X6'  
 -UNLESS OTHERWISE SPECIFIED  
 -LOCATION: DISTANCE FROM STOP BAR IN FEET  
 -(2) MICROWAVE DETECTOR DETECTION ZONE.

- ① PEDESTAL FOUNDATION  
 15' SIGNAL PEDESTAL AND BASE  
 MICROWAVE DETECTOR (MODEL TC26)  
 2" RSC TO HH 2  
 1-4/C#18

- Ⓑ GROUND MOUNTED  
 NSP TRANSFORMER  
 2" RSC TO HH 12A  
 2-1/C#2  
 1-1/C#4 INS GR.

- GROUND MOUNTED  
 NSP TRANSFORMER  
 2" RSC  
 2-1/C#2  
 1-1/C#4 (INS GR)



**SIGNAL SYSTEM OPERATION**

- FLASH MODE IS ALL RED
- NORMAL OPERATION IS THREE PHASE
- PHASE TWO AND PHASE SIX SHALL BE ON VEHICLE RECALL

DISTRICT #: METRO  
 IPLOT NAME: layout  
 PATH & FILENAME: IP\_PWP-d0782338T2223\IWR\_sgl.dgn

BY: SJK	DATE: 10-02-12	REVISIONS: CLEANED UP PRINT	SYSTEM ID: 22231	T.E.	INTERSECTION LAYOUT VALLEY VIEW ROAD AT T.H. 494 WEST RAMP IN EDEN PRAIRIE, HENNEPIN COUNTY	S.A.P. NO.	DRAWN BY: SJK	CKD BY: EJA	DATE:
			METER ADDRESS: 12010 VALLEY VIEW ROAD	T.E.		CERTIFIED BY: _____	LIC. NO. _____	DATE: _____	
			MASTER ID: 22232			STATE PROJ. NO. _____	(T.H. 494)	SHEET NO. _____	OF _____

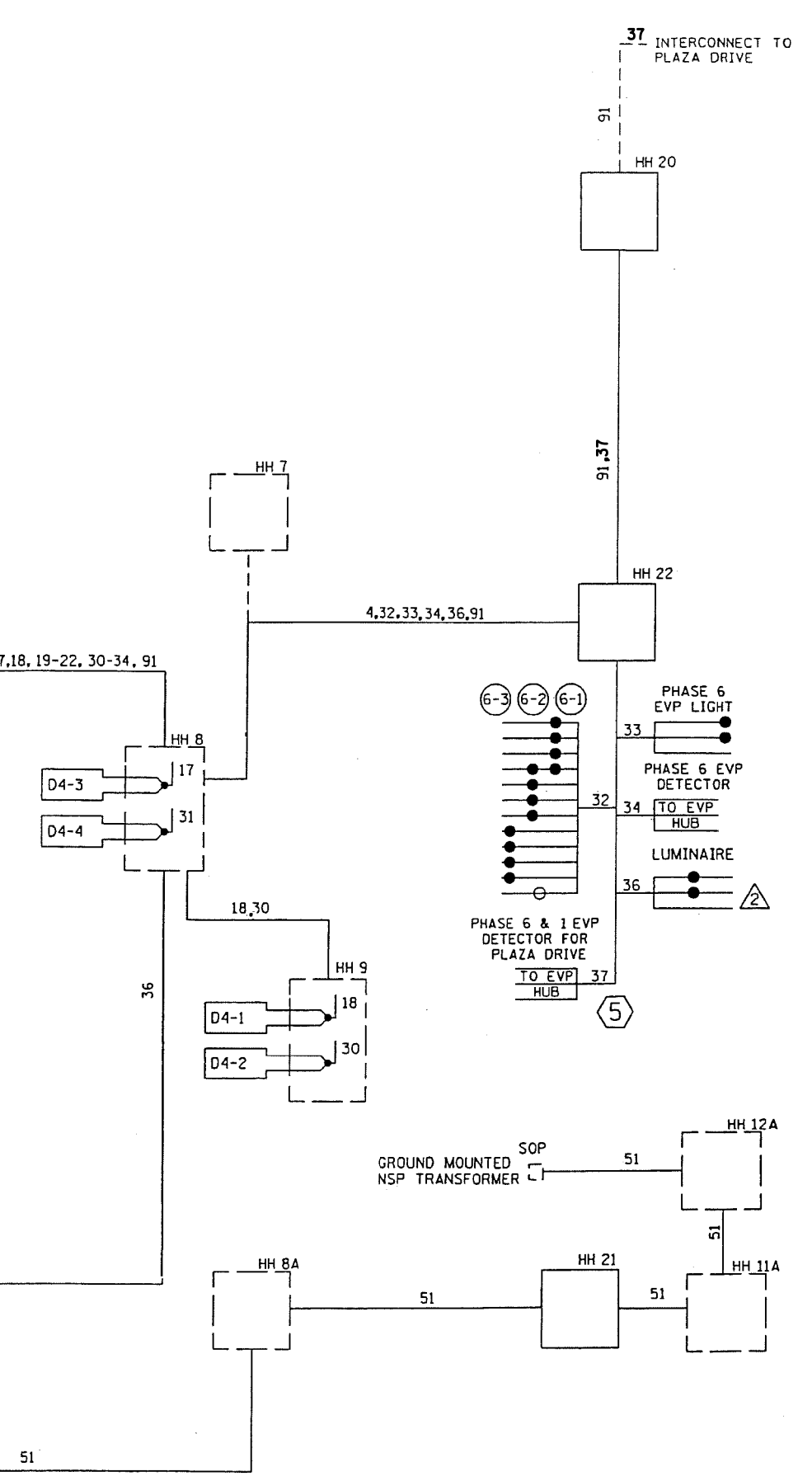
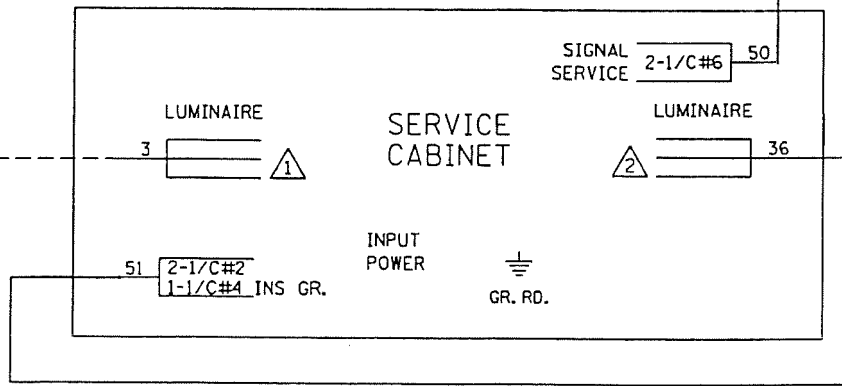
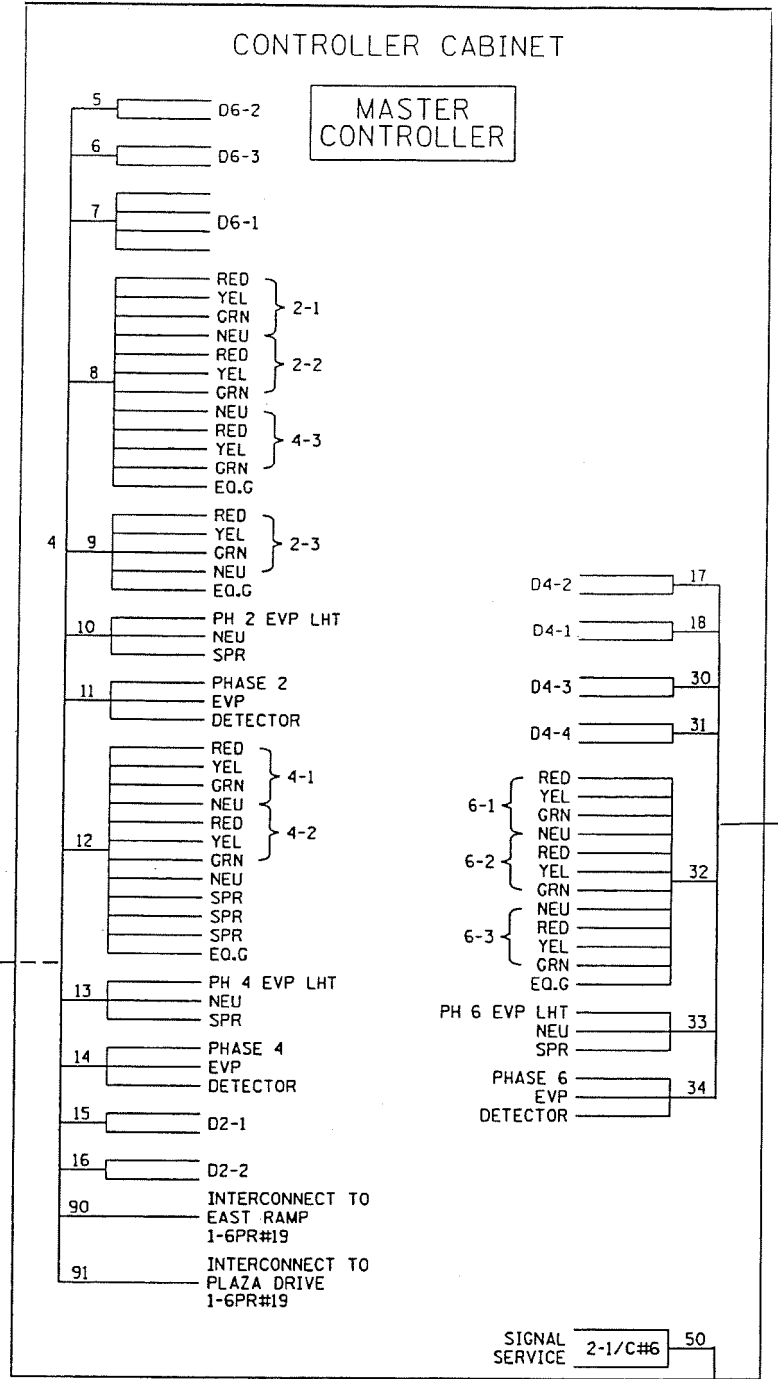
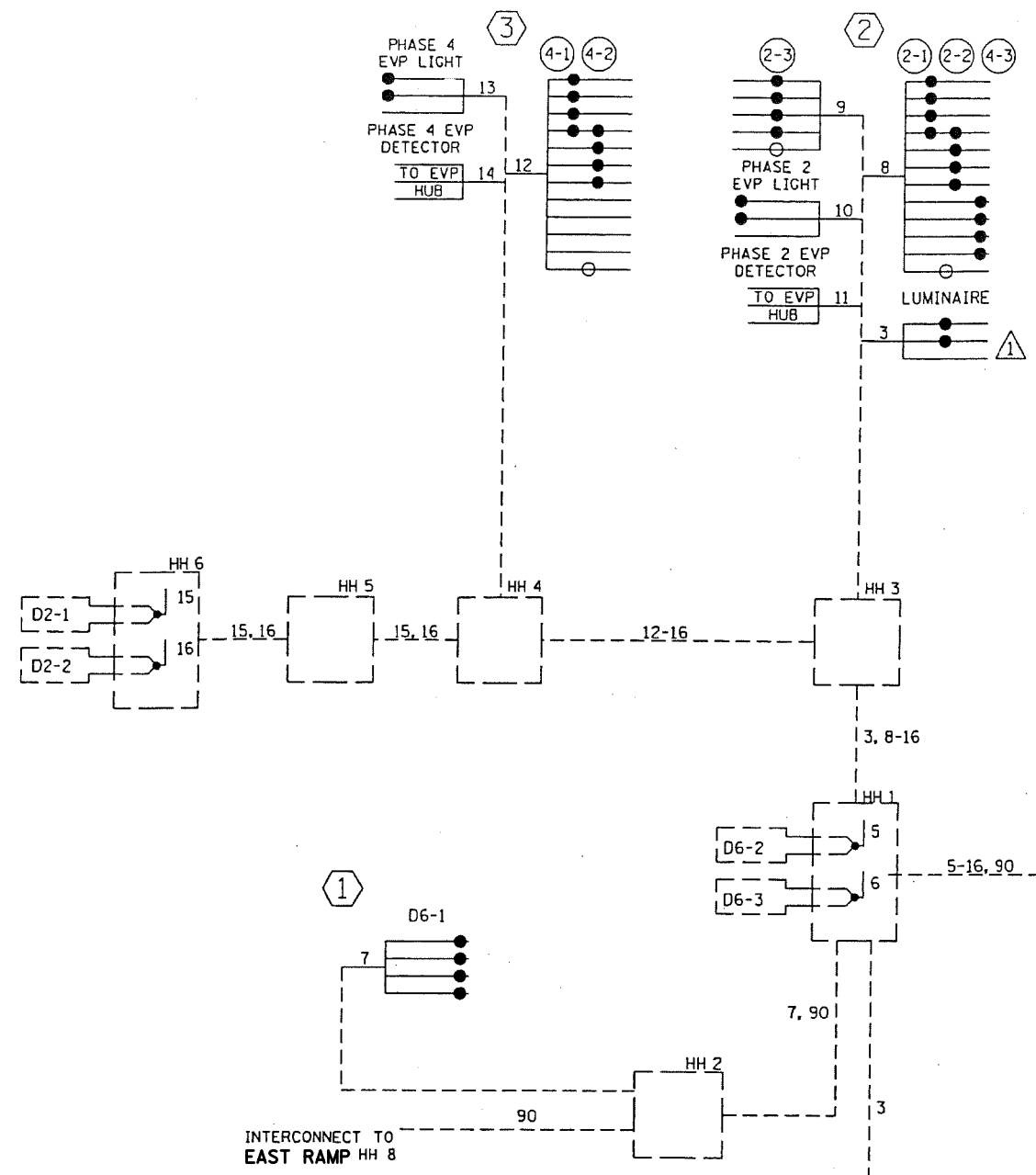
PLOTTED/REVISED: 10/2/2012

DISTRICT #: METRO  
 IPLOT NAME: wiring diagram  
 PATH & FILENAME: IP\_PWP-d0782338T2223ILWR\_sgl.dgn

**CONDUCTOR COLOR CODING**

R	3/C#12	R
0	WH	BLK
BL	2/C#14	BLK
WH	CLR	CLR
12/C#12		
R/BLK		
0/BLK		
BL/BLK		
WH/BLK		
BLK	3/C#20	R
BLK/WH	WH	BLK
G/BLK	BLK	
G	2-1/C#6	
	3-1/C#4	WH
	6PR#19	
5/C#12		
R		
0		
BL		
WH		
G		

NOTE: ALL TERMINAL BLOCK CONNECTIONS SHALL BE ARRANGED AS SPECIFIED ABOVE.



BY	DATE	REVISIONS
SJK	10-02-12	CLEANED UP PRINT

SYSTEM ID: 22231 T.E.  
 METER ADDRESS: 12010 VALLEY VIEW ROAD  
 MASTER ID: 22232 T.E.

**WIRING DIAGRAM**  
 VALLEY VIEW ROAD  
 AT T.H. 494 WEST RAMP  
 IN EDEN PRAIRIE, HENNEPIN COUNTY

S.A.P. NO.	DRAWN BY: SJK	CKD BY: EJA	DATE:
CERTIFIED BY _____	LIC. NO. _____	DATE: _____	
STATE PROJ. NO.	(T.H. 494)	SHEET NO.	OF SHEETS