

PLOTTED/REVISED: \$\$\$@DATE@\$\$\$

DISTRICT #: \$\$\$@DISTRICT@\$\$  
 PLOT NAME: \$\$\$@PLOT\$NAME@\$\$  
 FILENAME: \$\$\$@PATH\$FILENAME@\$\$\$

**SIGNAL INDICATION CHART**

DESIGNATION	PHASE	FLASH	INDICATION TYPE					
			R	Y	G	R	Y	G
1-1,1-2	1	R				12"	12"	12"
2-1,2-2,2-3	2	R	12"	12"	12"			
3-1,3-2	3	R				12"	12"	12"
4-1,4-2	4	R	12"	12"	12"			
5-1,5-2	5	R				12"	12"	12"
6-1,6-2,6-3	6	R	12"	12"	12"			
7-1,7-2	7	R				12"	12"	12"
8-1,8-2	8	R	12"	12"	12"			

**VIDEO DETECTION**

CAMERA		LOCATION		PHASE
NO.	TYPE	POLE	MOUNT LOC.	
V-1	DIRECTIONAL	2	MAST ARM	4,7

- VIDEO DETECTION CAMERAS AND MOUNTING HARDWARE ARE STATE FURNISHED.

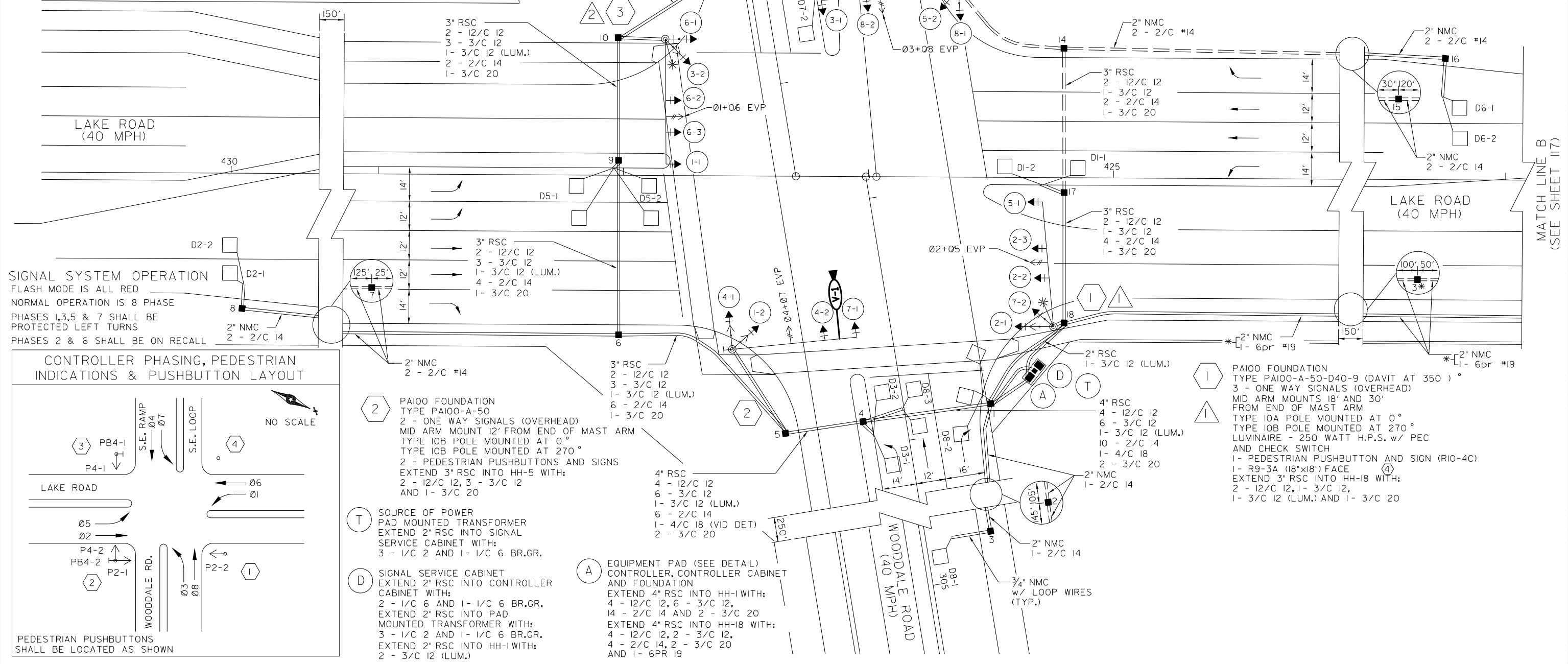
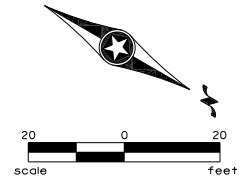
3 PA100 FOUNDATION  
 TYPE PA100-A-50-D40-9 (DAVIT AT 350 ) °  
 3 - ONE WAY SIGNALS (OVERHEAD)  
 MID ARM MOUNTS 12' AND 24'  
 FROM END OF MAST ARM  
 TYPE IOA POLE MOUNTED AT 270 °  
 TYPE IOB POLE MOUNTED AT 0 °  
 LUMINAIRE - 250 WATT H.P.S. w/ PEC  
 AND CHECK SWITCH  
 1- PEDESTRIAN PUSHBUTTON AND SIGN (RIO-4C)  
 1- R9-3A (18"x18") FACE  
 EXTEND 3" RSC INTO HH-10 WITH:  
 2 - 12/C 12, 3 - 3/C 12,  
 1 - 3/C 12 (LUM.) AND 1 - 3/C 20

4 PA100 FOUNDATION  
 TYPE PA100-A-55  
 2 - ONE WAY SIGNALS (OVERHEAD)  
 MID ARM MOUNT 17' FROM END OF MAST ARM  
 TYPE IOA POLE MOUNTED AT 0 °  
 TYPE IOB POLE MOUNTED AT 270 °  
 2 - R9-3A (18"x18") FACE ① & ③  
 EXTEND 3" RSC INTO HH-14 WITH:  
 2 - 12/C 12, 1 - 3/C 12  
 AND 1 - 3/C 20

**DETECTOR CHART**

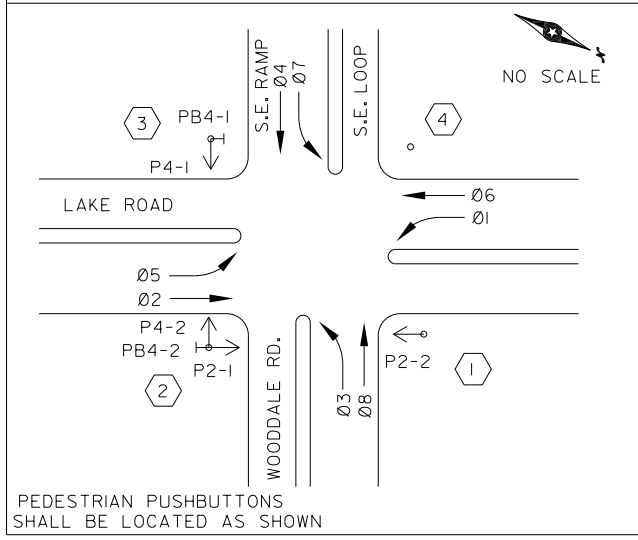
DESIGNATION	PHASE	SIZE/FT.	FUNCTION	DISTANCE TO STOP BAR
DI-1	1	1-6'X6'	(1)	35'
DI-2	1	1-6'X6'	(1)	5'
D2-1,D2-2	2	1-6'X6'	(1)	330'
D3-1	3	1-6'X6'	(1)	35'
D3-2	3	1-6'X6'	(1)	5'
D4-1	4	1-6'X6'	(3)	185'
D5-1	5	2-6'X6'	(1)	35'
D5-2	5	2-6'X6'	(1)	5'
D6-1,D6-2	6	1-6'X6'	(1)	330'
D7-2	7	1-6'X6'	(1)	5'
D8-1	8	1-6'X6'	(3)	330'
D8-2	8	3-6'X6'	(7)	-5',10',25'
D8-3	8	2-6'X6'	(1)	5',20'

**FUNCTION NOTES:**  
 (1) CALL AND EXTEND  
 (3) EXTEND ONLY  
 (7) CALL AFTER DELAY,  
 IMMEDIATE EXTEND



**SIGNAL SYSTEM OPERATION**  
 FLASH MODE IS ALL RED  
 NORMAL OPERATION IS 8 PHASE  
 PHASES 1,3,5 & 7 SHALL BE PROTECTED LEFT TURNS  
 PHASES 2 & 6 SHALL BE ON RECALL

**CONTROLLER PHASING, PEDESTRIAN INDICATIONS & PUSHBUTTON LAYOUT**



2 PA100 FOUNDATION  
 TYPE PA100-A-50  
 2 - ONE WAY SIGNALS (OVERHEAD)  
 MID ARM MOUNT 12' FROM END OF MAST ARM  
 TYPE IOB POLE MOUNTED AT 0 °  
 TYPE IOB POLE MOUNTED AT 270 °  
 2 - PEDESTRIAN PUSHBUTTONS AND SIGNS  
 EXTEND 3" RSC INTO HH-5 WITH:  
 2 - 12/C 12, 3 - 3/C 12  
 AND 1 - 3/C 20

T SOURCE OF POWER  
 PAD MOUNTED TRANSFORMER  
 EXTEND 2" RSC INTO SIGNAL SERVICE CABINET WITH:  
 3 - 1/C 2 AND 1 - 1/C 6 BR.GR.

D SIGNAL SERVICE CABINET  
 EXTEND 2" RSC INTO CONTROLLER CABINET WITH:  
 2 - 1/C 6 AND 1 - 1/C 6 BR.GR.  
 EXTEND 2" RSC INTO PAD MOUNTED TRANSFORMER WITH:  
 3 - 1/C 2 AND 1 - 1/C 6 BR.GR.  
 EXTEND 2" RSC INTO HH-1 WITH:  
 2 - 3/C 12 (LUM.)

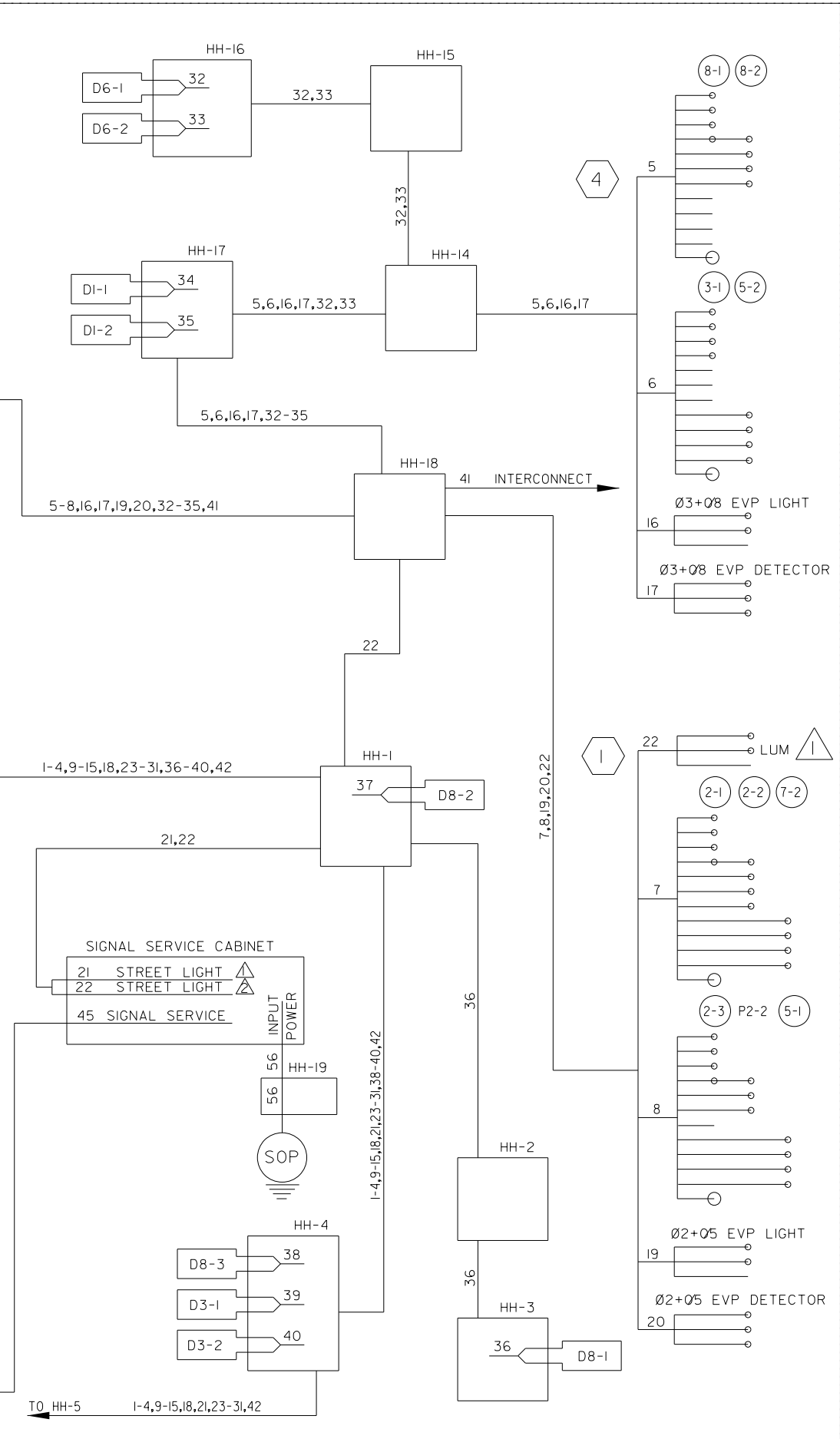
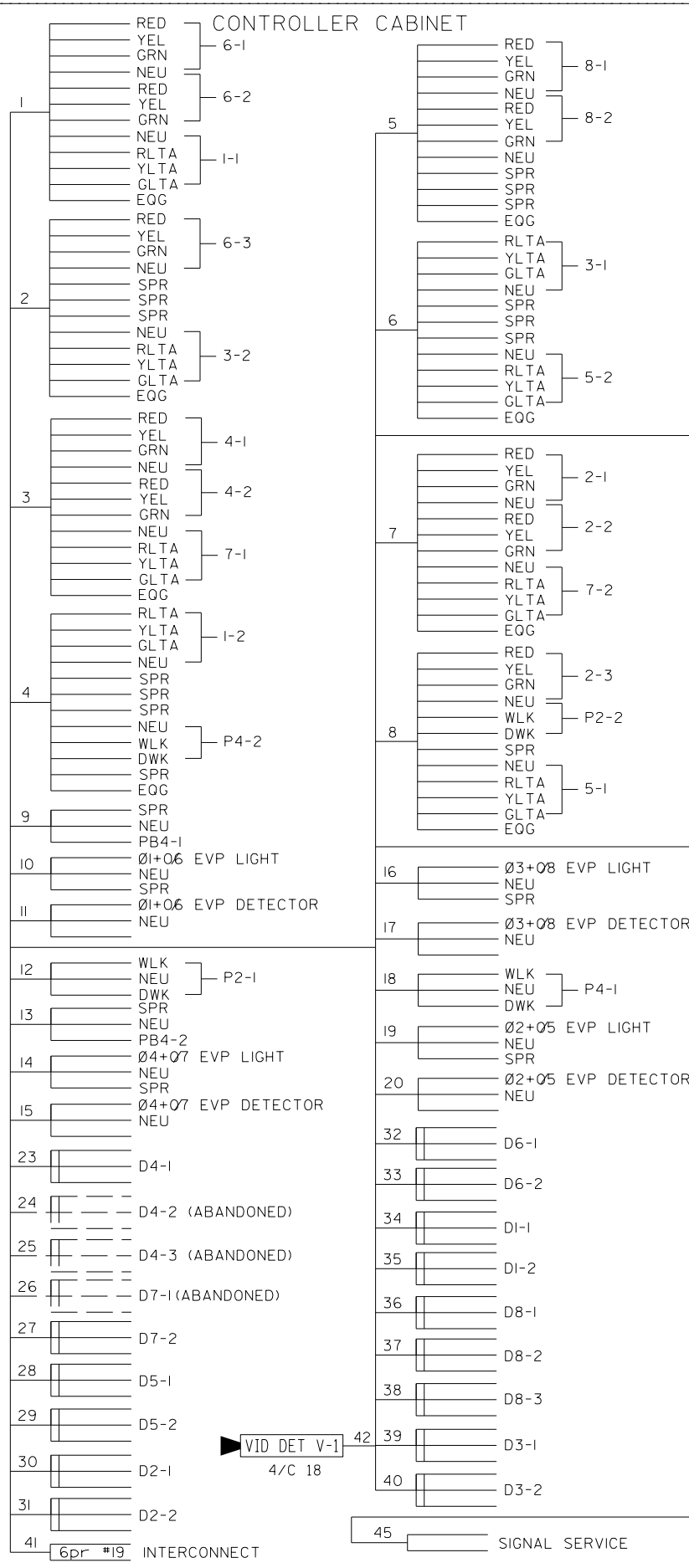
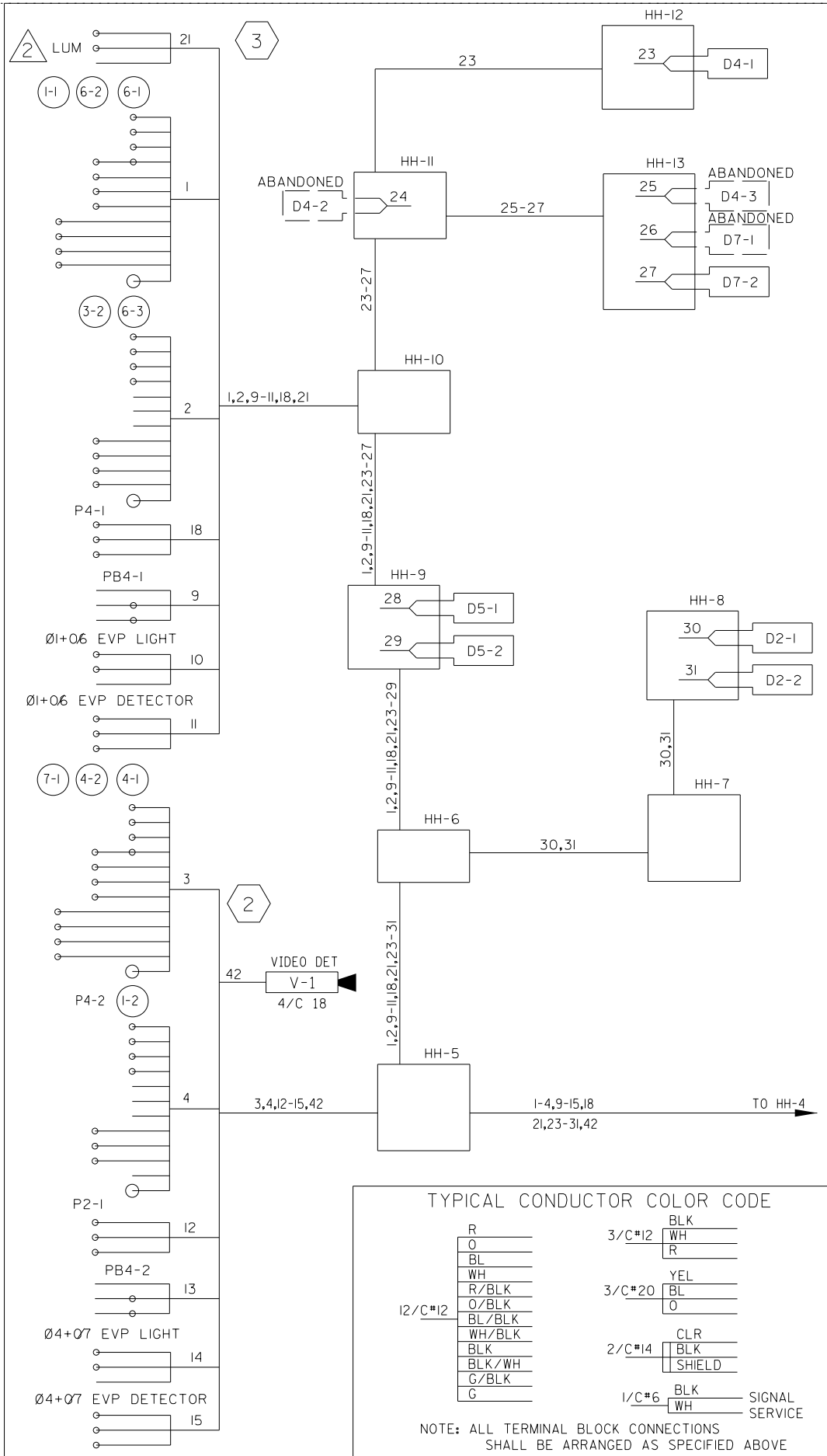
A EQUIPMENT PAD (SEE DETAIL)  
 CONTROLLER, CONTROLLER CABINET AND FOUNDATION  
 EXTEND 4" RSC INTO HH-1 WITH:  
 4 - 12/C 12, 6 - 3/C 12,  
 14 - 2/C 14 AND 2 - 3/C 20  
 EXTEND 4" RSC INTO HH-18 WITH:  
 4 - 12/C 12, 2 - 3/C 12,  
 4 - 2/C 14, 2 - 3/C 20  
 AND 1 - 6PR 19

1 PA100 FOUNDATION  
 TYPE PA100-A-50-D40-9 (DAVIT AT 350 ) °  
 3 - ONE WAY SIGNALS (OVERHEAD)  
 MID ARM MOUNTS 18' AND 30'  
 FROM END OF MAST ARM  
 TYPE IOA POLE MOUNTED AT 0 °  
 TYPE IOB POLE MOUNTED AT 270 °  
 LUMINAIRE - 250 WATT H.P.S. w/ PEC  
 AND CHECK SWITCH  
 1- PEDESTRIAN PUSHBUTTON AND SIGN (RIO-4C)  
 1- R9-3A (18"x18") FACE ④  
 EXTEND 3" RSC INTO HH-18 WITH:  
 2 - 12/C 12, 1 - 3/C 12,  
 1 - 3/C 12 (LUM.) AND 1 - 3/C 20

BY	DATE	REVISIONS	SYSTEM ID: 1736037	T.E. 77005	S.A.P. NO.	DRAWN BY: MAB	CKD BY: DE	DATE: 07/1993
MAB	09/28/94	REVISED FOR S.A. #3	METER ADDRESS: 2500 WOODDALE DR	INTERSECTION LAYOUT	CERTIFIED BY _____	LIC. NO. _____	DATE: _____	
MAB	11/08/94	REVISED PER MN/DOT REVIEW	OLD SYSTEM ID:	TH 494 E RAMP AT LAKE RD / WOODDALE DR	STATE PROJ. NO. 192-108-003 (T.H. 494) SHEET NO. 1 OF 2 SHEETS			
MJB	10/27/22	LOOPS DAMAGED BY PAVING, CAMERA INSTALLED ON POLE 2		IN WOODBURY, WASHINGTON COUNTY				

PLOTTED/REVISED: \$\$\$DATE\$\$\$

DISTRICT: \$\$\$DISTRICT\$\$\$  
 PLOT NAME: \$\$\$PLOT\$NAME\$\$\$  
 FILENAME: \$\$\$PATH\$FILENAME\$\$\$



BY	DATE	REVISIONS
MAB	09/28/94	REVISED FOR S.A. #3
MAB	11/08/94	REVISED PER MN/DOT REVIEW
MJB	10/27/22	LOOPS DAMAGED BY PAVING, CAMERA INSTALLED ON POLE 2

SYSTEM ID: 1736037 T.E. 77005  
 METER ADDRESS: 2500 WOODDALE DR  
 OLD SYSTEM ID:

WIRING DIAGRAM  
 TH 494 E RAMP AT LAKE RD / WOODDALE DR  
 IN WOODBURY, WASHINGTON COUNTY

S.A.P. NO. \_\_\_\_\_ DRAWN BY: MAB CKD BY: DE DATE: 07/1993  
 CERTIFIED BY \_\_\_\_\_ LIC. NO. \_\_\_\_\_ DATE: \_\_\_\_\_  
 STATE PROJ. NO. 192-108-003 (T.H. 494) SHEET NO. 2 OF 2 SHEETS