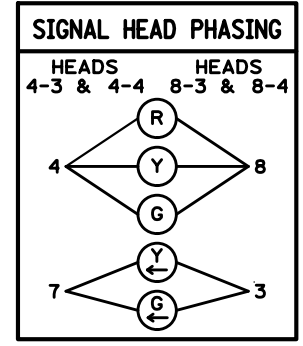


PLOTTED/REVISED: 10/23/2015

SIGNAL HEAD CHART

FACE	R	Y	G	RLTA	YLTA	GLTA
1-1, 1-2				←	←	←
2-1, 2-2, 2-3	○	○	○			
4-1, 4-2	○	○	○			
4-3, 4-4	○	○	○	←	←	←
5-1, 5-2				←	←	←
6-1, 6-2, 6-3	○	○	○			
8-1, 8-2	○	○	○			
8-3, 8-4	○	○	○	←	←	←

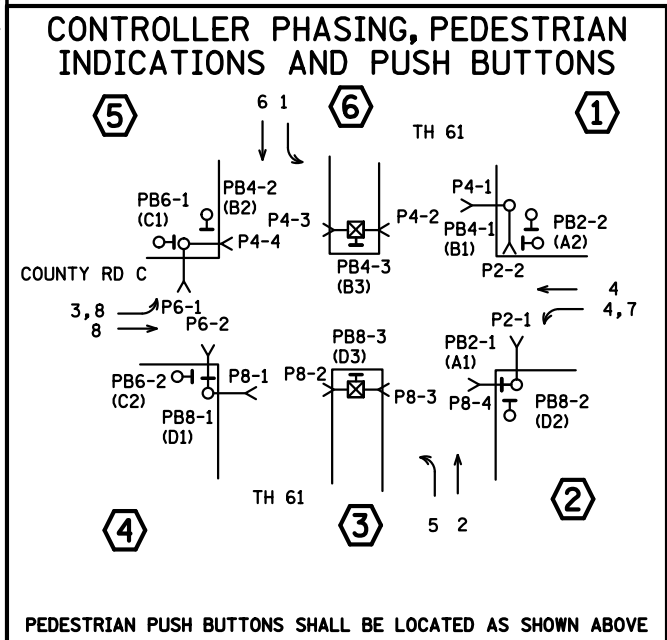
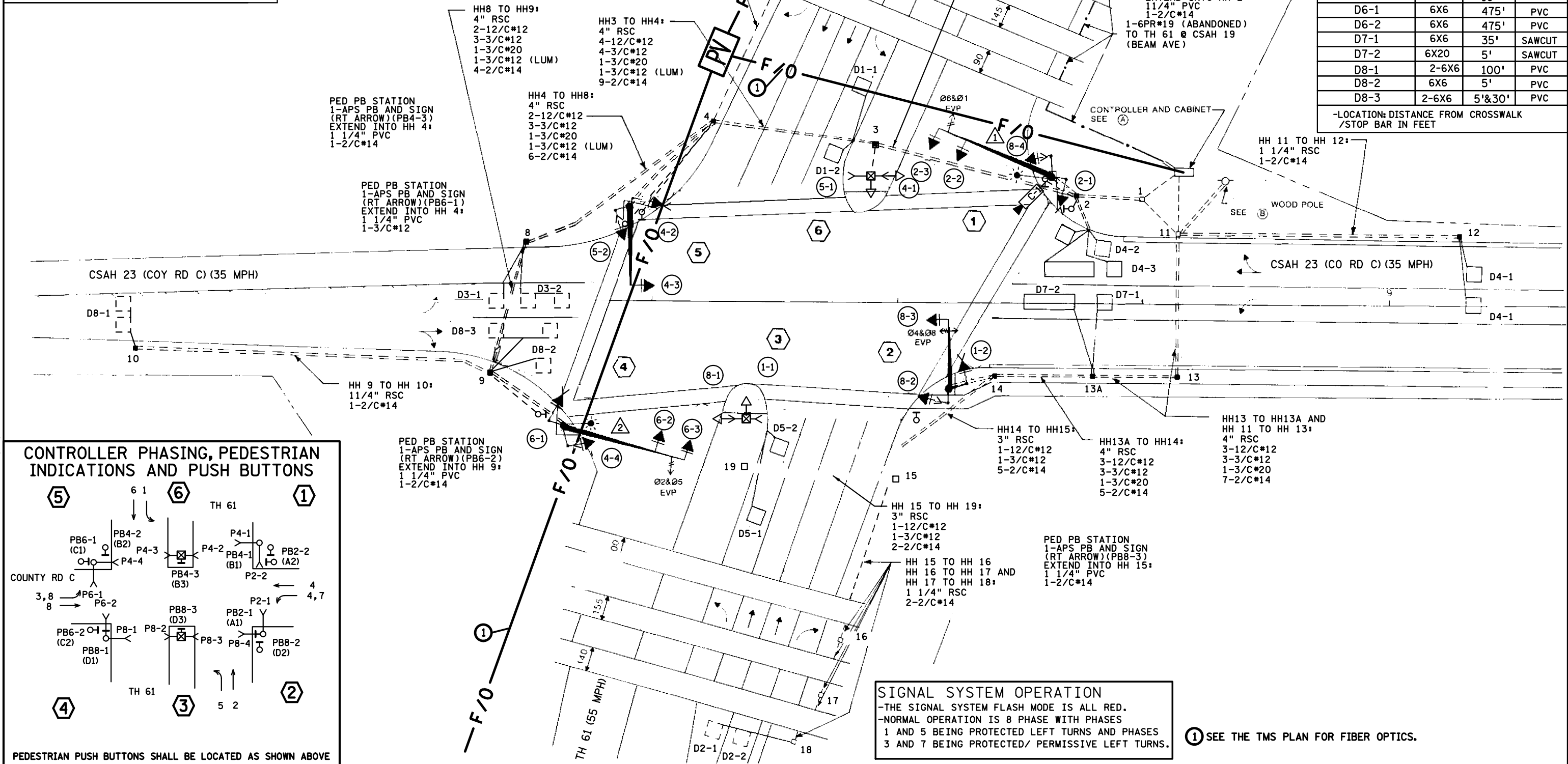
-ALL SIGNAL INDICATIONS ARE 12" LED
-ALL SIGNAL FACES HAVE A BACKGROUND SHIELD



LOOP DETECTOR CHART

NUMBER	SIZE (FT)	LOCATION	LOCATION
D1-1	6X6	40'	PVC
D1-2	6X6	10'	PVC
D2-1	6X6	475'	SAWCUT
D2-2	6X6	475'	SAWCUT
D3-1	6X6	35'	SAWCUT
D3-2	2-6X6	5'&20'	PVC
D4-1	2-6X6	100'	SAWCUT
D4-2	2-6X6	5'&20'	SAWCUT
D4-3	6X20&6X6	5'&20'	SAWCUT
D5-1	6X6	40'	PVC
D5-2	6X6	10'	PVC
D6-1	6X6	475'	PVC
D6-2	6X6	475'	PVC
D7-1	6X6	35'	SAWCUT
D7-2	6X20	5'	SAWCUT
D8-1	2-6X6	100'	PVC
D8-2	6X6	5'	PVC
D8-3	2-6X6	5'&30'	PVC

-LOCATION: DISTANCE FROM CROSSWALK /STOP BAR IN FEET



SIGNAL SYSTEM OPERATION

- THE SIGNAL SYSTEM FLASH MODE IS ALL RED.
- NORMAL OPERATION IS 8 PHASE WITH PHASES 1 AND 5 BEING PROTECTED LEFT TURNS AND PHASES 3 AND 7 BEING PROTECTED/ PERMISSIVE LEFT TURNS.

① SEE THE TMS PLAN FOR FIBER OPTICS.

DISTRICT #: METRO
IPLOT NAME: T21038R_sgl
PATH & FILENAME: IP_PWP-d079943\T21038R_sgl.dgn

BY	DATE	REVISIONS
EJA	10-23-15	AS-BUILT OF SP 6222-168 FIBER & CAMERA

SYSTEM ID: 21038 T.E.
METER ADDRESS: 1885 CO.RD.C
MASTER ID: T.E.

INTERSECTION LAYOUT
TH61 AT CSAH 23 (CO RD C)
IN MAPLEWOOD, RAMSEY COUNTY

S.A.P. NO. _____
CERTIFIED BY _____ LIC. NO. _____ DATE: _____
STATE PROJ.NO. (T.H.61)

DRAWN BY: SJK CKD BY: EJA DATE: 06-14-12
SHEET NO. 1 OF 4 SHEETS

PLOTTED/REVISED: 10/23/2015

DISTRICT #: METRO
 IPLOT NAME: T21038R_sgl
 PATH & FILENAME: IP_PWP-d0779943T21038R_sgl.dgn

① TYPE A100-A40-D40-9
 A100 POLE FOUNDATION-X6-350/CAM 400 (AT 350 DEG)
 LUMINAIRE 200 WATT H.P.S. W/PEC & CHECK SW
 I-VIDEO CAMERA
 ONE WAY EVP DETECTOR AND CONFIRMATORY LIGHT
 (PHASES 1+6)
 I-CAMERA POWER SUPPLY
 2-ONE WAY SIGNALS OVERHEAD
 2-TYPE 10B AT 90 AND 180 DEG
 2-CD PED HEADS AT 90 AND 180 DEG
 1-APS PB BUTTON AND SIGN (LT ARROW) (PB4-1)
 TYPE D SIGN
 2-R6-1 SIGNS
 EXTEND INTO HH 2:
 3"RSC
 2-12/C#12
 2-3/C#12
 1-3/C#20
 1-3/C#12 (LUM)
 I-COAXIAL CABLES
 1-7/16" GROUNDING BRAID TO GROUND ROD IN H.H.2
 1-3/c#14 (CAMERA POWER)
 I-COM CABLE

④ TYPE A100-A40-D40-9 (DAVIT AT 350 DEG)
 A100 POLE FOUNDATION
 2-ONE WAY SIGNALS OVERHEAD
 LUMINAIRE 200 WATT H.P.S. WITH P.E.C. SWITCH
 ONE WAY EVP DETECTOR AND CONFIRMATORY LIGHT
 (PHASES 2+5)
 TYPE D SIGN
 2-TYPE 10B AT 90 AND 180 DEG
 2-CD PED HEADS AT 90 AND 180 DEG
 1-APS PB BUTTON AND SIGN (LT ARROW) (PB8-1)
 2-R6-1 SIGNS
 EXTEND INTO HH 9:
 3"RSC
 2-12/C#12
 3-3/C#12
 1-3/C#20
 1-3/C#12 (LUM)

Ⓐ CABINET AND CONTROLLER
 CABINET FOUNDATION
 3" R.S.C. STUB OUT
 1-6Pr.#19 (ABANDONED)
 CONTROLLER CABINET TO HH 1: 4" PVC TO HH 11
 4" IMC 3-12/C#12
 3" RSC 3-3/C#12
 7-12/C#12 1-3/C#20
 8-3/C#12 8-2/C#14
 1-3/C#20 2-1/C#2
 14-2/C#14 1-1/C#6 BR GR
 1-3/c#14 (CAMERA POWER)
 1-COM CABLE
 1-COAXIAL CABLE
 CONTROLLER CABINET TO TMS PULL VAULT
 1.5' PVC INSIDE EXISTING 3" RSC:
 1-6SM FIBER OPTIC

HH 1 TO HH 2:
 2-3" RSC
 7-12/C#12
 8-3/C#12
 2-3/C#20
 2-3/C#12 (LUM)
 14-2/C#14
 1-COAXIAL CABLES
 1-3/c#14 (CAMERA POWER)
 1-COM CABLE

⑤ TYPE P90-A-30
 P90 POLE FOUNDATION
 ONE WAY SIGNAL OVERHEAD
 2-TYPE 10B AT 90 AND 180 DEG
 2-CD PED HEADS AT 90 AND 180 DEG
 R10-12 ADJACENT TO HEAD 4-3
 EXTEND INTO HH4:
 3"RSC
 2-12/C#12

② TYPE P90-A-25
 P90 POLE FOUNDATION
 ONE WAY SIGNAL OVERHEAD
 TWO WAY EVP DETECTOR AND CONFIRMATORY LIGHTS
 (PHASES 4+8)
 2-TYPE 10B AT 90 AND 180 DEG
 2-CD PED HEADS AT 90 AND 180 DEG
 1-APS PB BUTTON AND SIGN (PB 2-1) (LT ARROW)
 R10-12 ADJACENT TO HEAD 8-3
 EXTEND INTO HH14:
 3"RSC
 2-12/C#12
 2-3/C#12
 1-3/C#20

⑥ PEDESTAL FOUNDATION
 PEDESTAL BASE AND 13' POLE
 2-STRAIGHT MOUNT SIGNALS
 2-STRAIGHT MOUNT CD PED HEADS AT 90 AND 270 DEG
 1-APS PB AND SIGN (DBL ARROW) (PB4-2)
 EXTEND INTO HH 3:
 3" RSC
 1-12/C#12
 1-3/C#12

Ⓑ 45' WOOD POLE
 SERVICE EQUIPMENT
 2" R.S.C. RISER AND
 WEATHERHEAD ABOVE
 SERVICE EQUIPMENT
 3-1/C#2
 SERVICE CABINET TO HH 11:
 2" RSC
 2-1/C#2
 1-1/C#6 BR GR
 2-3/C#12 (LUM)
 HH 1 TO HH 11:
 2" IMC
 1-2/C#12

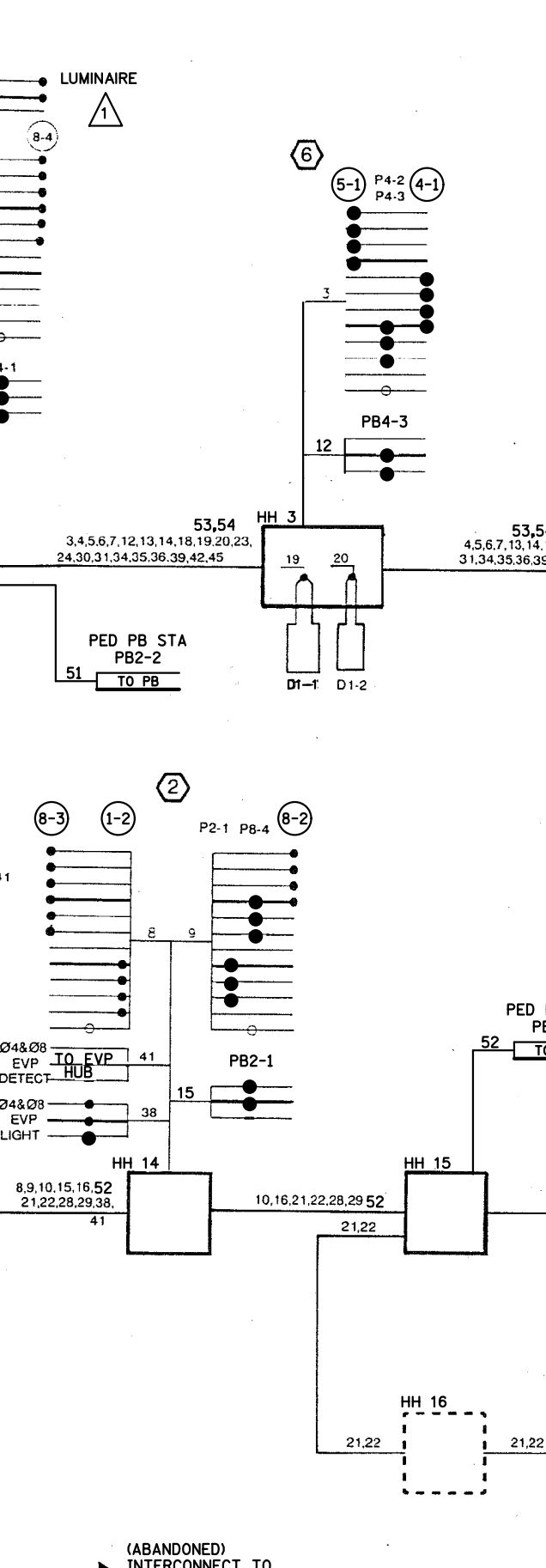
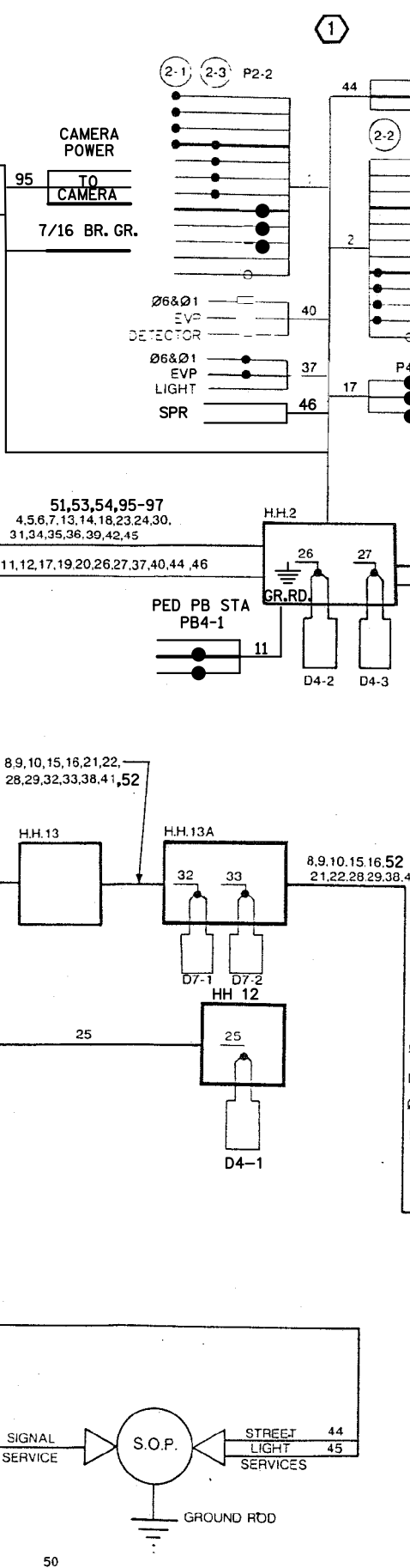
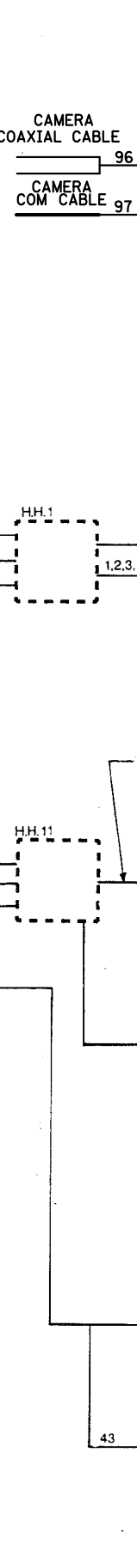
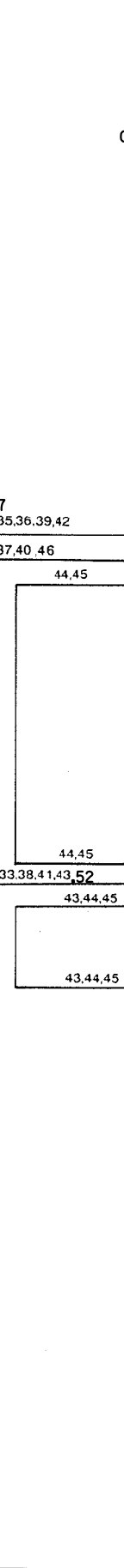
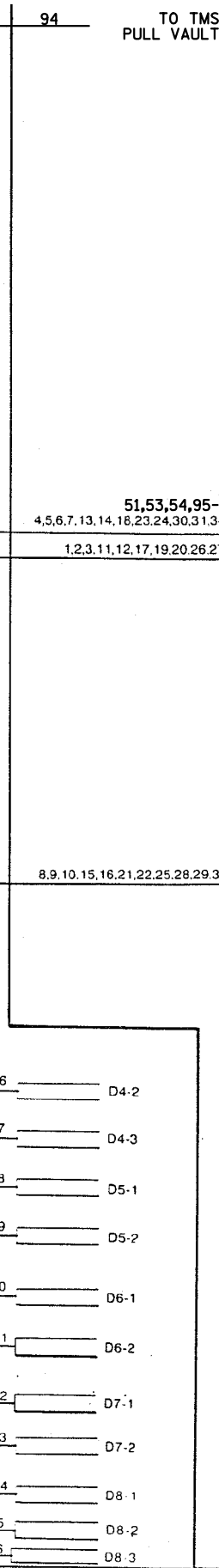
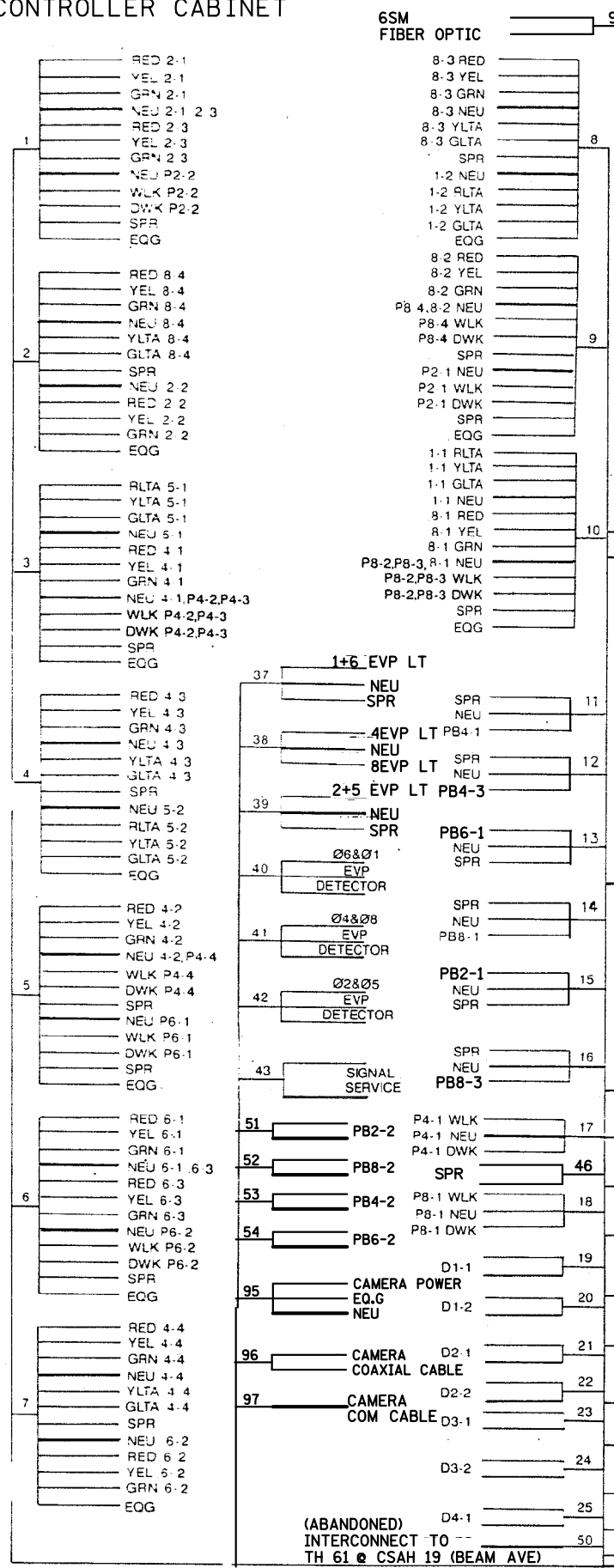
③ PEDESTAL FOUNDATION
 PEDESTAL BASE AND 13' POLE
 2-STRAIGHT MOUNT SIGNALS
 2-STRAIGHT MOUNT CD PED HEADS AT 90 AND 270 DEG
 1-APS PB AND SIGN (DBL ARROW) (PB8-2)
 EXTEND INTO HH 19:
 3" RSC
 1-12/C#12
 1-3/C#12

BY	DATE	REVISIONS	SYSTEM ID: 21038	T.E.	S.A.P. NO.	DRAWN BY: SJK	CKD BY: EJA	DATE: 06-14-12
EJA	10-23-15	AS-BUILT OF SP 6222-168 FIBER & CAMERA	METER ADDRESS: 1885 CO.RD.C		CERTIFIED BY _____	LIC. NO. _____	DATE: _____	
			MASTER ID:	T.E.	STATE PROJ.NO.	(T.H.61)	SHEET NO. 2 OF 4 SHEETS	
			POLE NOTES TH 61 AT CSAH 23 (CO RD C) IN MAPLEWOOD, RAMSEY COUNTY					

CONTROLLER CABINET

PLOTTED/REVISED: 10/23/2015

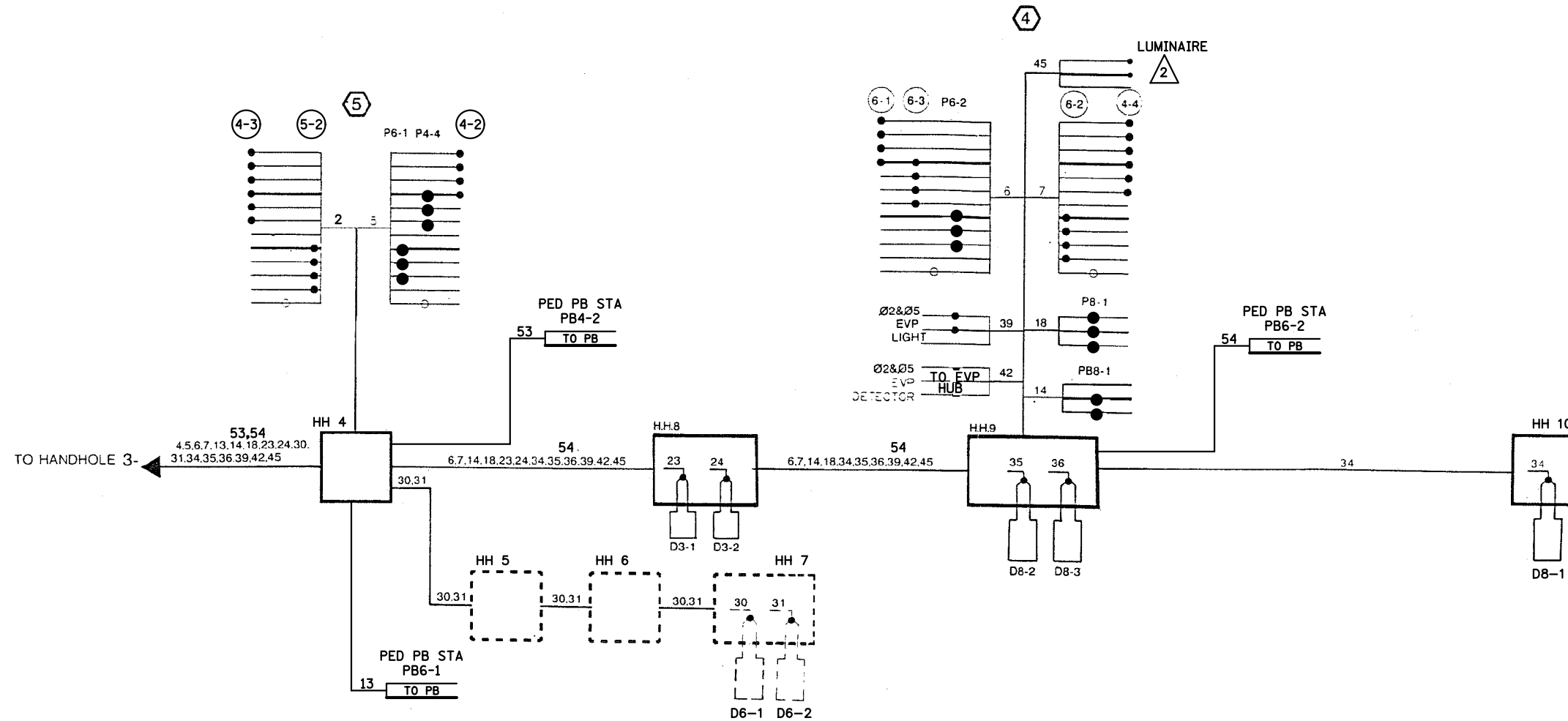
DISTRICT #: METRO
 IPLOT NAME: T21038R_sgl
 PATH & FILENAME: IP_PWP-d079943\T21038R_sgl.dgn



BLK	2-1/c#2
W	2-1/c#6
W	2-1/c#C
B	3/c#2
W	3/c#2
BLK	2/c#4
W	2/c#4
BLK	R OR C
W	OR YEL 3/c#20
BLK	OR BLK

NOTE: ALL TERMINAL BLOCK CONNECTIONS SHALL BE ARRANGED AS SPECIFIED ABOVE.

BY: EJA	DATE: 10-23-15	REVISIONS: AS-BUILT OF SP 62221-68 FIBER & CAMERA	SYSTEM ID: 21038	T.E.	FIELD WIRING DIAGRAM (1 OF 2) TH 61 AT CSAH 23 (CO RD C) IN MAPLEWOOD, RAMSEY COUNTY	S.A.P. NO.	DRAWN BY: SJK	CKD BY: EJA	DATE: 06-14-12
			METER ADDRESS: 1885 CO.RD.C	T.E.		CERTIFIED BY: _____	LIC. NO. 19863	DATE: 06-21-12	
			MASTER ID:			STATE PROJ. NO. (T.H.61)	SHEET NO. 3 OF 4 SHEETS		



BY	DATE	REVISIONS
EJA	10-23-15	AS-BUILT OF SP 6222-168 FIBER & CAMERA

SYSTEM ID: 21038	T.E.
METER ADDRESS: 1885 CO.RD.C	
MASTER ID:	T.E.

FIELD WIRING DIAGRAM (2 OF 2)
TH61 AT CSAH 23 (CO RD C)
IN MAPLEWOOD, RAMSEY COUNTY

S.A.P. NO.	DRAWN BY: SJK	CKD BY: EJA	DATE: 06-14-12
CERTIFIED BY _____	LIC. NO. _____	DATE: _____	
STATE PROJ. NO.	(T.H.61)	SHEET NO. 4 OF 4 SHEETS	