

LOOP DETECTOR CHART

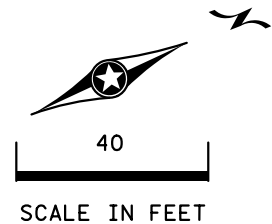
NUMBER	SIZE (FT)	LOCATION
D1-1, D8-1	2-6x6	5 & 20
D2-1, D2-2	6x6	475
D4-1	6x6	180
D4-2, D4-3	2-6x6	5 & 20
D5-1	4-6x6	5,20,35,50
D6-1, D6-2	6x6	475

-ALL LOOP DETECTORS ARE PVC
-LOCATION: DISTANCE FROM CROSSWALK/STOP BAR IN FEET

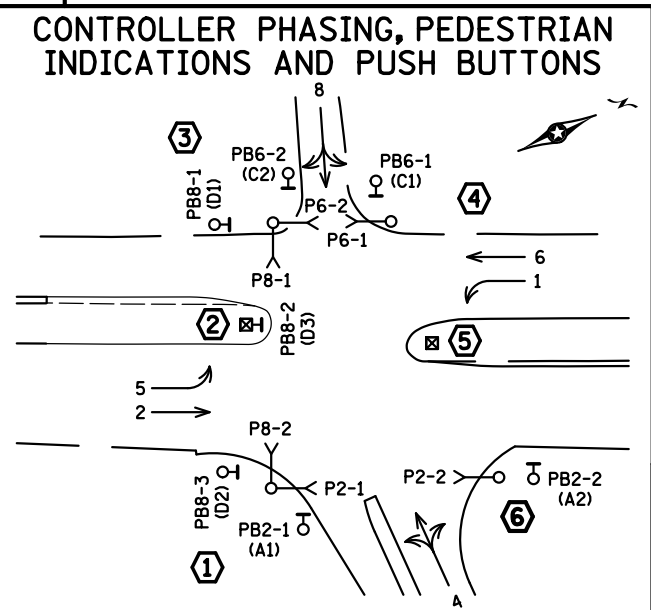
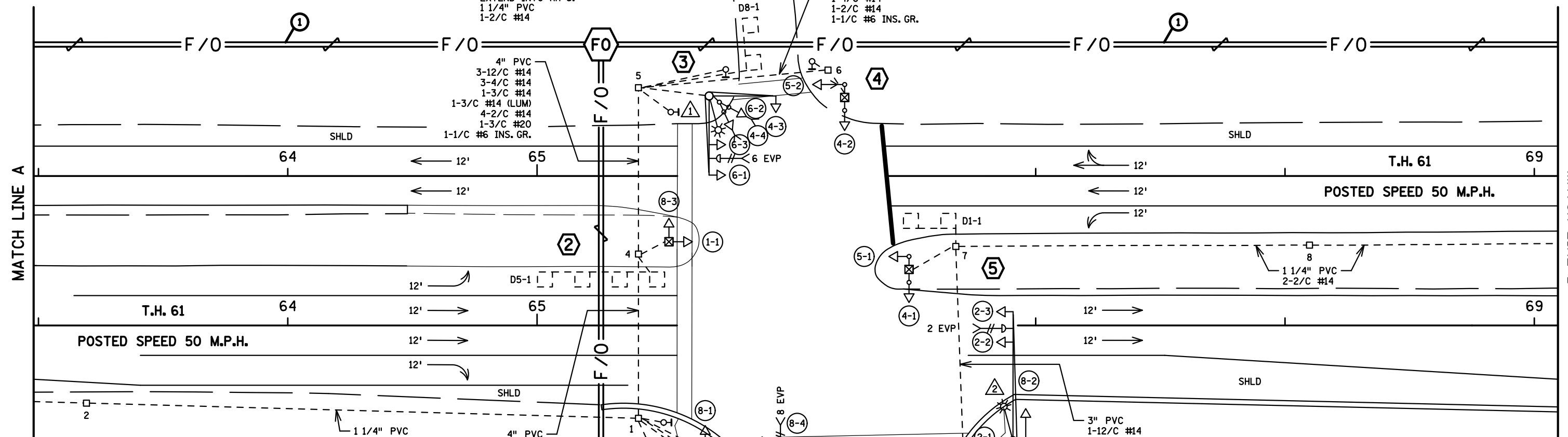
SIGNAL HEAD CHART

FACE	R	Y	G
1-1, 1-2	←	←	←
2-1, 2-2, 2-3	○	○	○
4-1, 4-2, 4-3	○	○	○
5-1, 5-2	←	←	←
6-1, 6-2, 6-3	○	○	○
8-1, 8-2, 8-3, D8-4	○	○	○

-ALL SIGNAL INDICATIONS ARE 12" LED
-ALL SIGNAL HEADS ARE BLACK POLYCARBONATE WITH BACKGROUND SHIELDS



PLOTTED/REVISED: 5/20/2016



CONTROLLER PHASING, PEDESTRIAN INDICATIONS AND PUSH BUTTONS

1-1/4" PVC 2-2/C #14 1-6PR #19 (ABANDONED) 4-12/C #14 3-4/C #14 1-3/C #14 1-3/C #14 (LUM) 6-2/C #14 1-3/C #20 1-1/C #6 INS. GR.

4" PVC 3-12/C #14 3-4/C #14 1-3/C #14 1-3/C #14 (LUM) 4-2/C #14 1-3/C #20 1-1/C #6 INS. GR.

PED PB STATION 1-APS PB AND SIGN (RT ARROW) (PB8-3) EXTEND INTO HH 1: 2" PVC 1-2/C #14

PED PB STATION 1-APS PB AND SIGN (LT ARROW) (PB2-1) EXTEND INTO HH 1: 2" PVC 1-2/C #14

PED PB STATION 1-APS PB AND SIGN (RT ARROW) (PB2-2) EXTEND INTO HH 11: 2" PVC 1-2/C #14

HH 11 TO HH 12: 4" PVC 3-12/C #14 1-3/C #14 1-3/C #14 (LUM) 6-2/C #14 1-3/C #20 1-1/C #6 INS. GR.

SIGNAL SYSTEM OPERATION

- THE SIGNAL SYSTEM FLASH MODE IS ALL RED.
- NORMAL OPERATION IS 6 PHASE, WITH PHASES 1 AND 5 BEING PROTECTED LEFT TURN PHASES.
- PHASES 2 & 6 SHALL BE ON PEDESTRIAN RECALL.

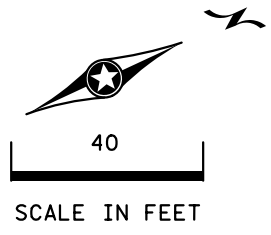
PEDESTRIAN PUSH BUTTONS SHALL BE LOCATED AS SHOWN ABOVE

① SEE THE TMS PLAN FOR FIBER OPTICS

DISTRICT #: METRO
IPLOT NAME: layout
PATH & FILENAME: IP_PWP-d07994IN21037_sgl.dgn

BY: GDS	DATE: 05-20-16	AS BUILT OF SP 6211-90	SYSTEM ID: 21037	T.E.	METER ADDRESS: 2286 MAPLEWOOD DR	MASTER ID:	T.E.	INTERSECTION LAYOUT TRAFFIC CONTROL SIGNAL SYSTEM T.H. 61 AT C.S.A.H. 25 (CO RD B) IN MAPLEWOOD, RAMSEY COUNTY	S.A.P. NO.	CERTIFIED BY: _____	LIC. NO. _____	DATE: _____	DRAWN BY: CKD	CKD BY: _____	DATE: _____	STATE PROJ. NO. (T.H. 61)	SHEET NO. 1 OF 4 SHEETS
---------	----------------	------------------------	------------------	------	----------------------------------	------------	------	---	------------	---------------------	----------------	-------------	---------------	---------------	-------------	---------------------------	-------------------------

PLOTTED/REVISED: 5/20/2016



- ③ PA100 POLE FOUNDATION
TYPE PA100-A-30-25-D40-9 (DAVIT AT 350 DEG)
3-ONE WAY SIGNALS OVERHEAD AT 0', 11' AND 0'
2-TYPE 10B POLE MOUNTED AT 270 DEG
2-C.D. PED HEADS AT 0 AND 270 DEG
1-ONE WAY EVP DETECTOR AND CONFIRMATORY LIGHT (PHASE 6)
LUMINAIRE - 250W HPS
1-TYPE D SIGN
3" IMC TO HH 5:
2-12/C #14
2-4/C #14
1-3/C #14
1-3/C #14 (LUM)
1-3/C #20
1-1/C #6 INS. GR.

- ② PEDESTAL FOUNDATION
13' PEDESTAL POLE PLUS BASE
2-STRAIGHT MOUNT SIGNALS
1-APS PB AND SIGN (DBL ARROW) (PB8-2)
3" PVC TO HH 4:
1-12/C #14
1-2/C #14
2-1/C #6 INS. GR.

- ① PA90 POLE FOUNDATION
TYPE PA90-A-30
1-X400 CAMERA EXTENSION
VIDEO CAMERA
1-ANGLE MOUNT SIGNAL OVERHEAD AT 0'
2-ANGLE MOUNT SIGNALS AT 90 AND 180 DEG
2-ANGLE MOUNT C.D. PED HEADS AT 90 AND 180 DEG
1-TWO WAY EVP DETECTOR AND CONFIRMATORY LIGHT (PHASES 4+8)
3" PVC TO HH 1:
2-12/C #14
1-4/C #14
1-3/C #14
1-3/C #20
1-3/C #14 (CAMERA POWER)
1-COM CABLE
1-COAXIAL CABLE
1-7/16" GROUNDING BRAID TO GROUND ROD IN HH 1
1-1/C #6 INS. GR.

- ④ PEDESTAL FOUNDATION
13' PEDESTAL POLE PLUS BASE
TYPE 2B
1-STRAIGHT MOUNT C.D. PED HEAD
1-R9-3 SIGN (NO PEDS) FACING POLE 5
3" PVC TO HH 6:
1-12/C #14
1-4/C #14
1-1/C #6 INS. GR.

- ⑤ PEDESTAL FOUNDATION
13' PEDESTAL POLE PLUS BASE
TYPE 2A
2-R9-3 SIGNS (NO PEDS) FACING POLES 4 AND 6
1-R10-X5L SIGN
3" PVC TO HH 7:
1-12/C #14
1-1/C #6 INS. GR.

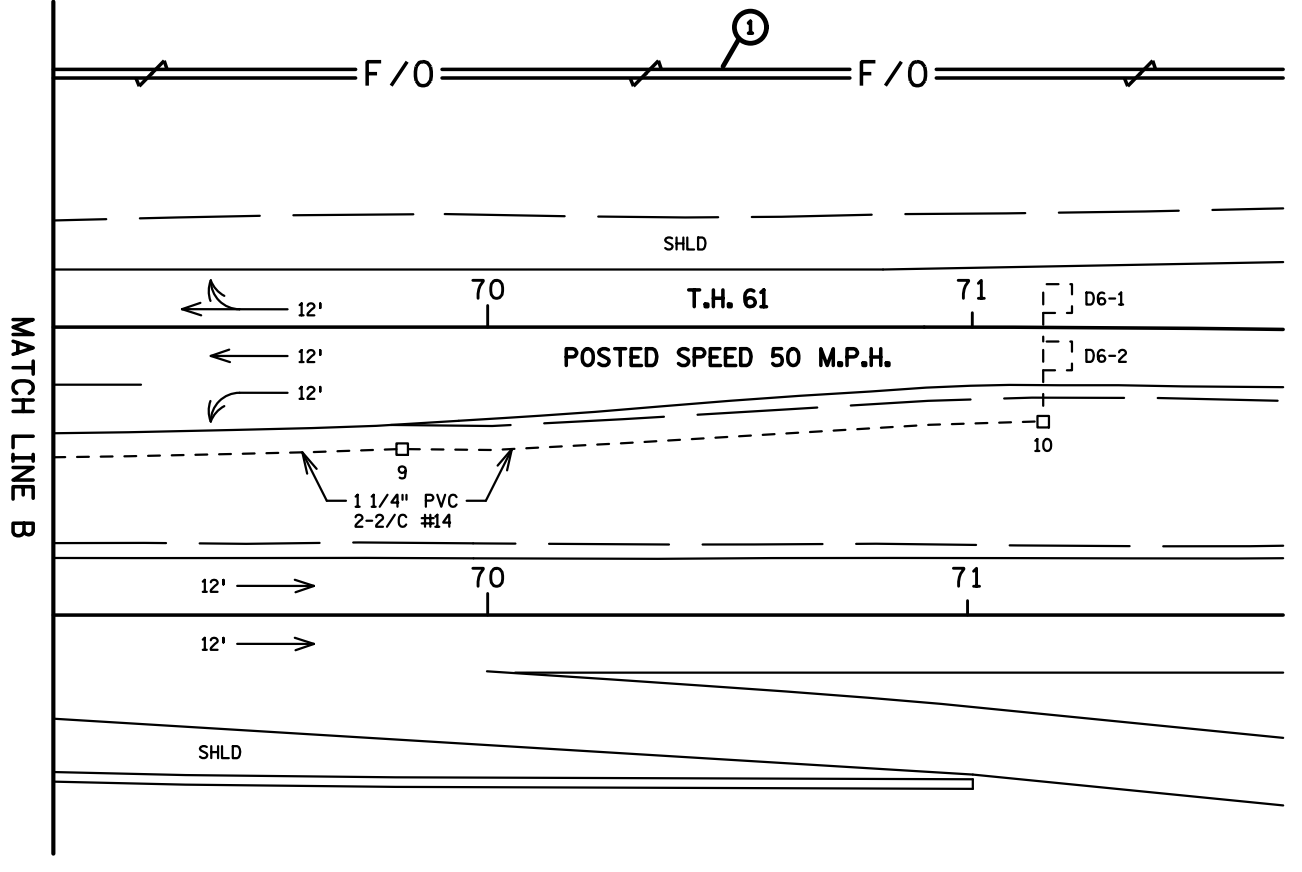
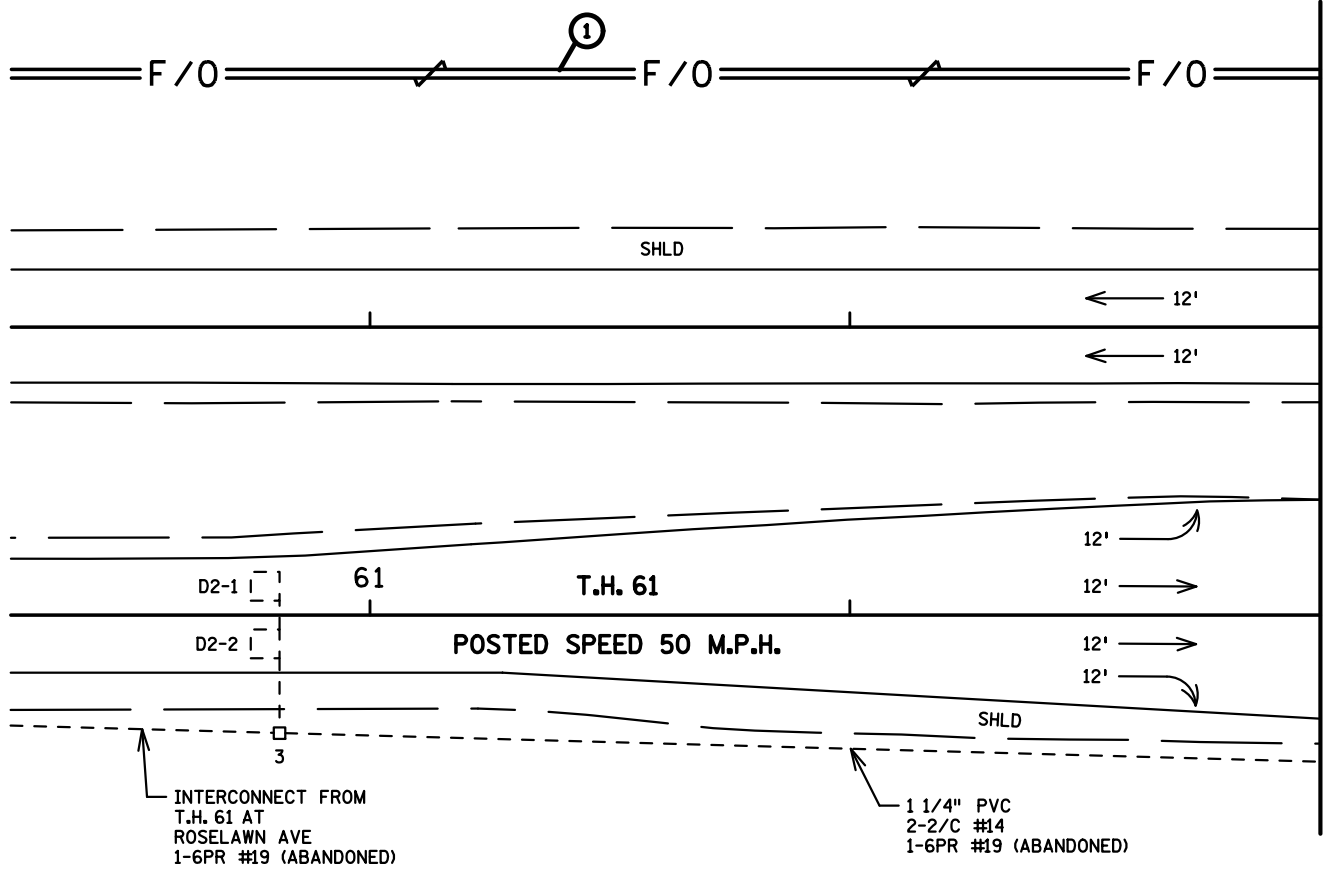
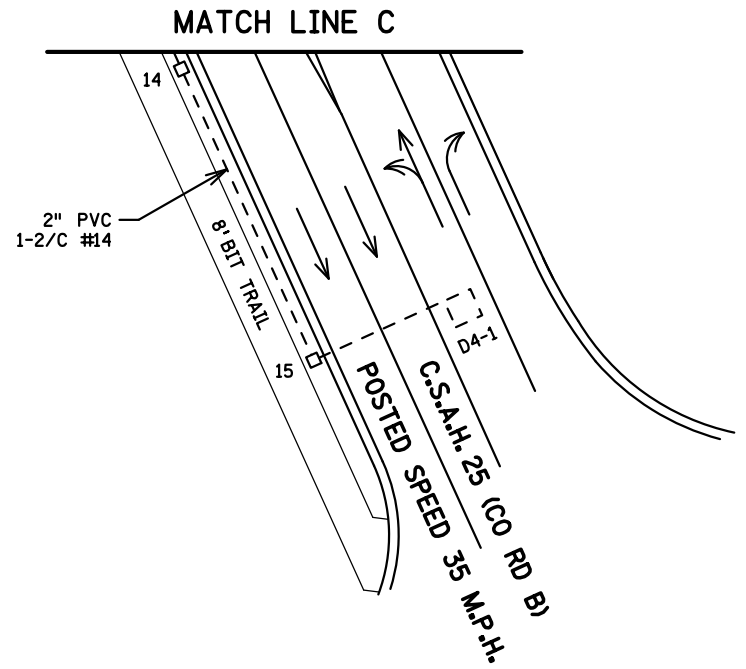
- ⑥ PA100 POLE FOUNDATION
TYPE PA100-A-50-D40-9 (DAVIT AT 350 DEG)
1-ANGLE MOUNT SIGNAL OVERHEAD AT 0'
1-STRAIGHT MOUNT SIGNAL OVERHEAD AT 13'
2-ANGLE MOUNT SIGNALS AT 90 AND 180 DEG
1-C.D. PED HEAD AT 180 DEG
1-ONE WAY EVP DETECTOR AND CONFIRMATORY LIGHT (PHASE 2)
LUMINAIRE - 250W HPS
1-R9-3 SIGN (NO PEDS) FACING POLE 5
1-TYPE D SIGN
3" PVC TO HH 11:
2-12/C #14
1-3/C #14
1-3/C #14 (LUM)
1-3/C #20
1-1/C #6 INS. GR.

- ① CABINET FOUNDATION
CONTROLLER AND CABINET
AND MASTER CONTROLLER
4" I.M.C. TO HH 1:
6-12/C #14
4-4/C #14
2-3/C #14
10-2/C #14
2-3/C #20
1-6PR #19
1-3/C #14 (CAMERA POWER)
1-COM CABLE
1-COAXIAL CABLE
1-1/C #6 INS. GR.

- CONTROLLER CABINET TO TMS PULL VAULT:
1 1/2" PVC INSIDE 3" RSC
1-FIBER OPTIC CABLE (6SM) WITH
PRE-TERMINATED CABLE END
HH 1 TO HH 12:
2" PVC
1-3/C #14 (LUM)

- ② WOOD POLE
SERVICE EQUIPMENT
(BY XCEL ENERGY)
2" PVC INTO HH 12:
3-1/C #2
2-3/C #14 (LUM)

① SEE THE TMS PLAN FOR FIBER OPTICS



DISTRICT #: METRO
IPLOT NAME: ML & notes
PATH & FILENAME: IP_PWP-d077994\T21037_sgl.dgn

BY	DATE	REVISIONS
GDS	05-20-16	AS BUILT OF SP 6211-90

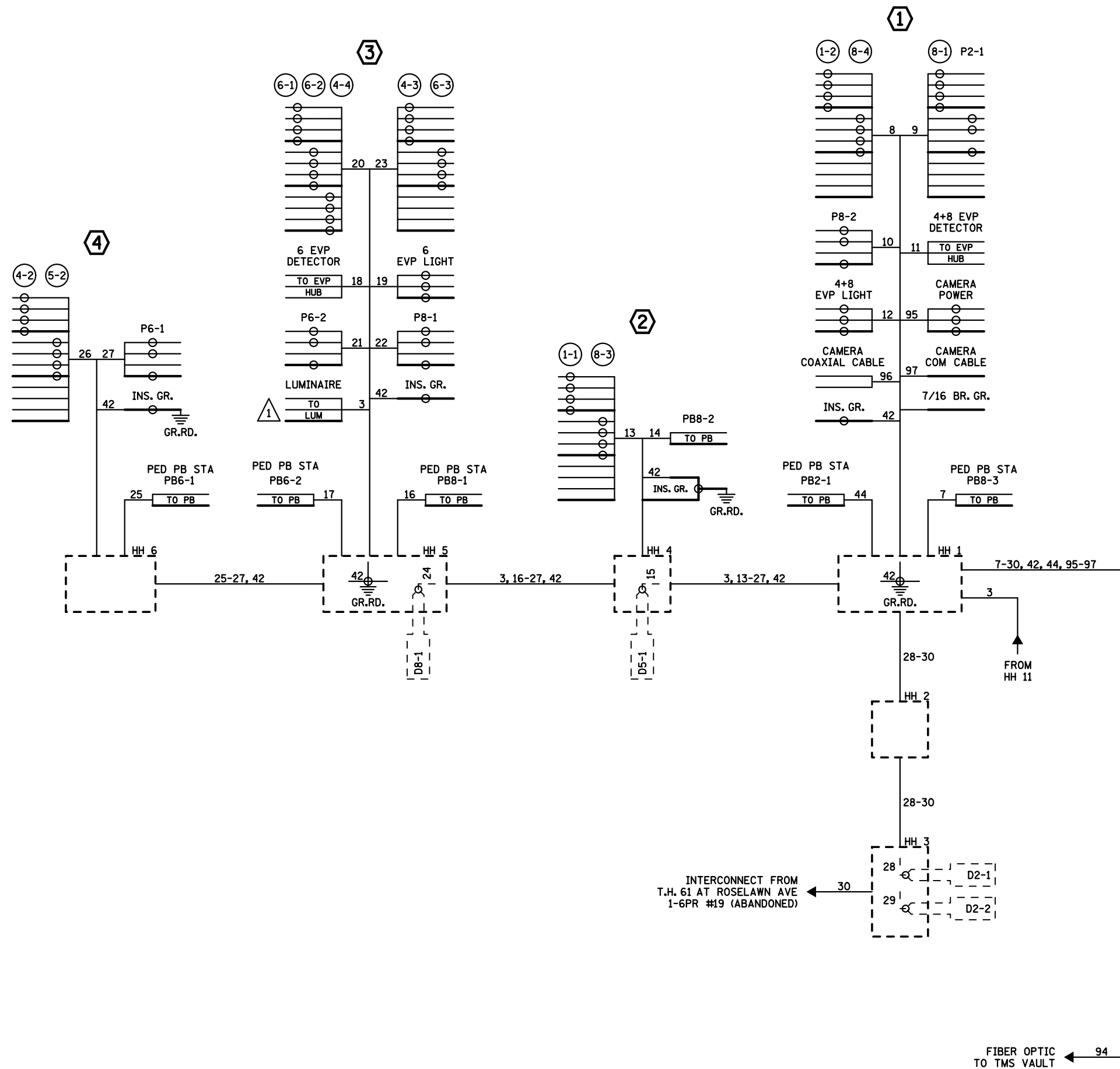
SYSTEM ID: 21037	T.E.
METER ADDRESS: 2286 MAPLEWOOD DR	
MASTER ID:	T.E.

MATCH LINES LAYOUT AND NOTES
TRAFFIC CONTROL SIGNAL SYSTEM
T.H. 61 AT C.S.A.H. 25 (CO RD B)
IN MAPLEWOOD, RAMSEY COUNTY

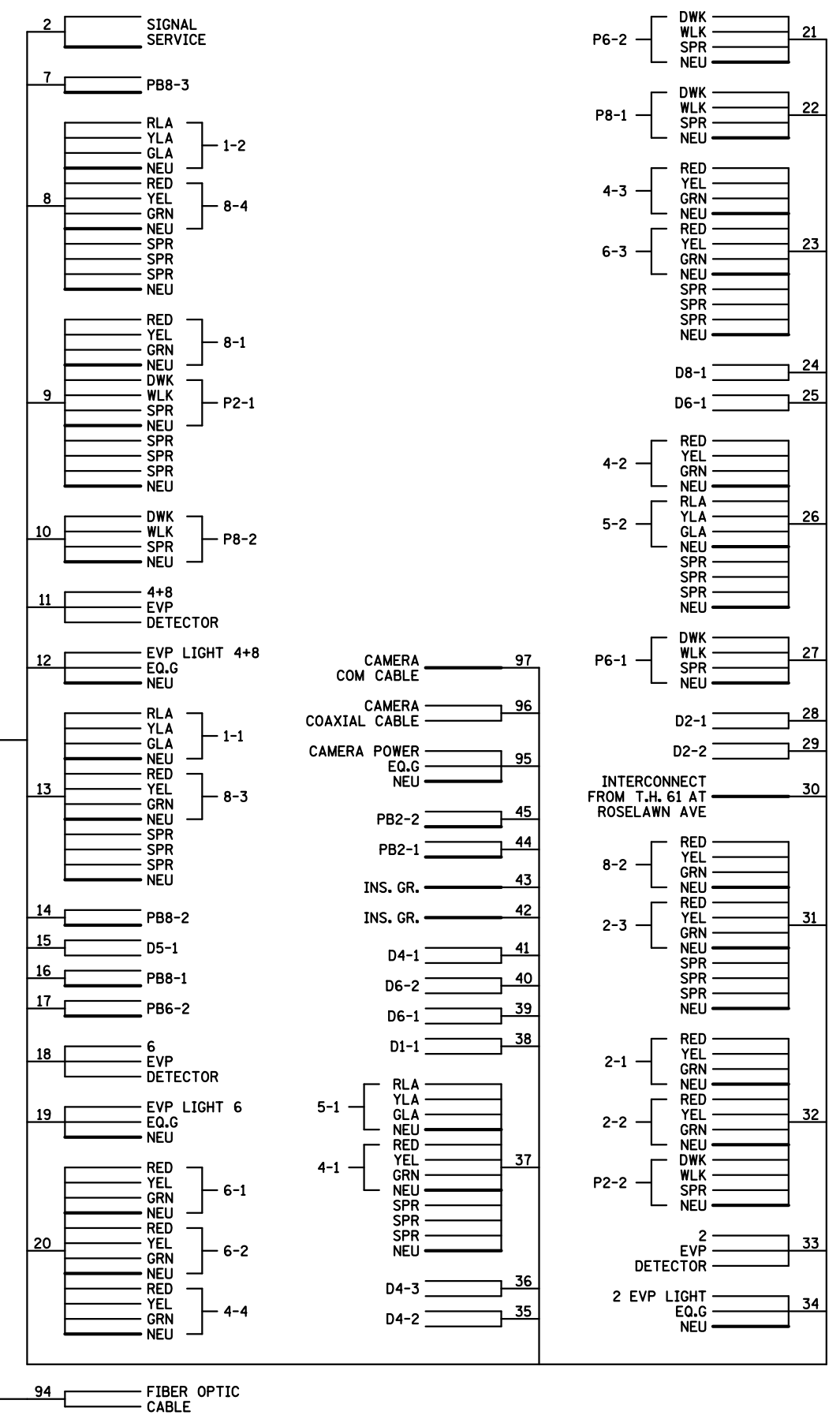
S.A.P. NO.	DRAWN BY:	CKD BY:	DATE:
CERTIFIED BY _____	LIC. NO. _____	DATE: _____	
STATE PROJ. NO.	(T.H. 61)	SHEET NO. 2 OF 4 SHEETS	

PLOTTED/REVISED: 5/20/2016

DISTRICT #: METRO
IPLOT NAME: wiring 1
PATH & FILENAME: IP_PWP-d077994\T21037_sgl.dgn



CONTROLLER CABINET



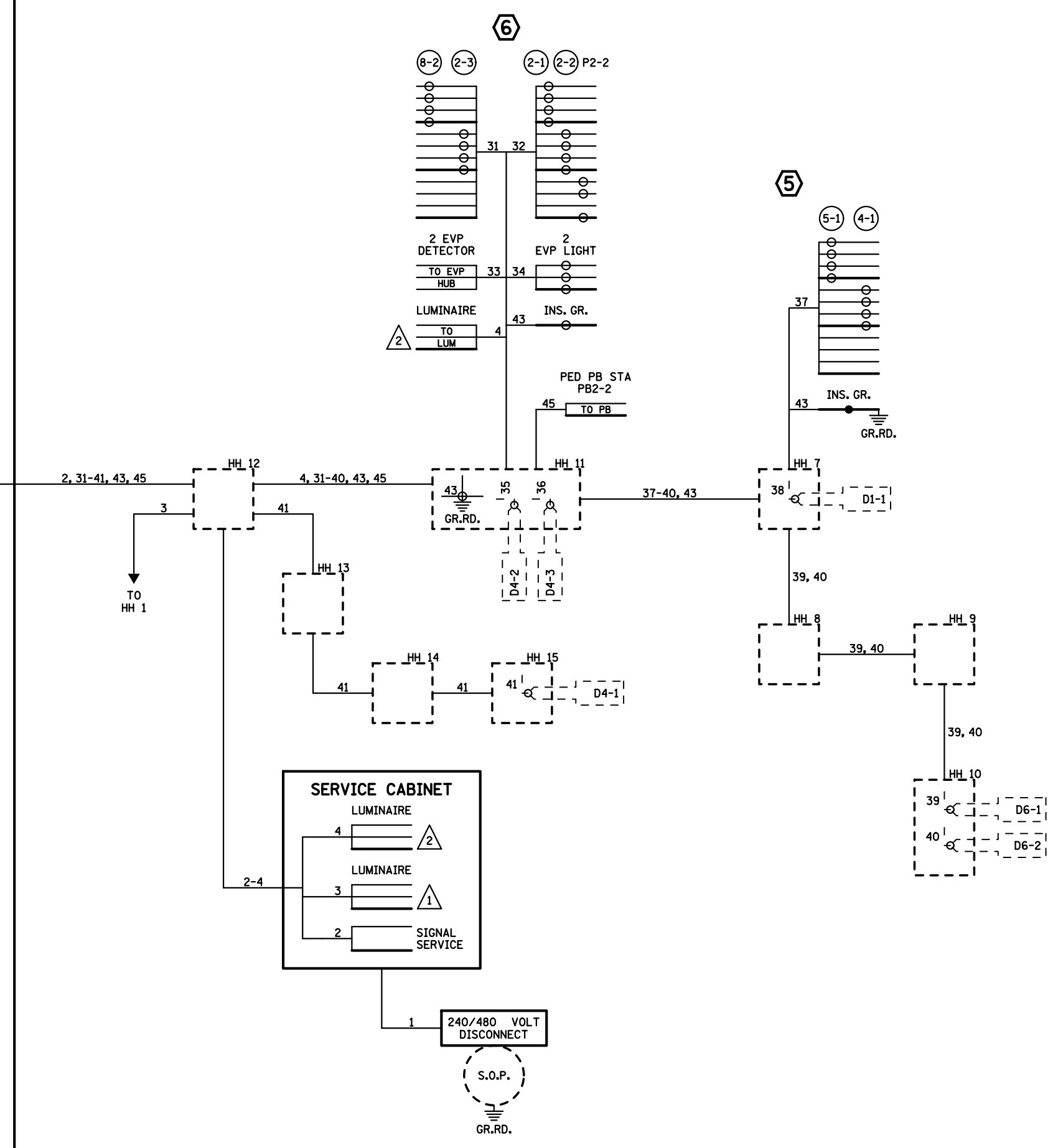
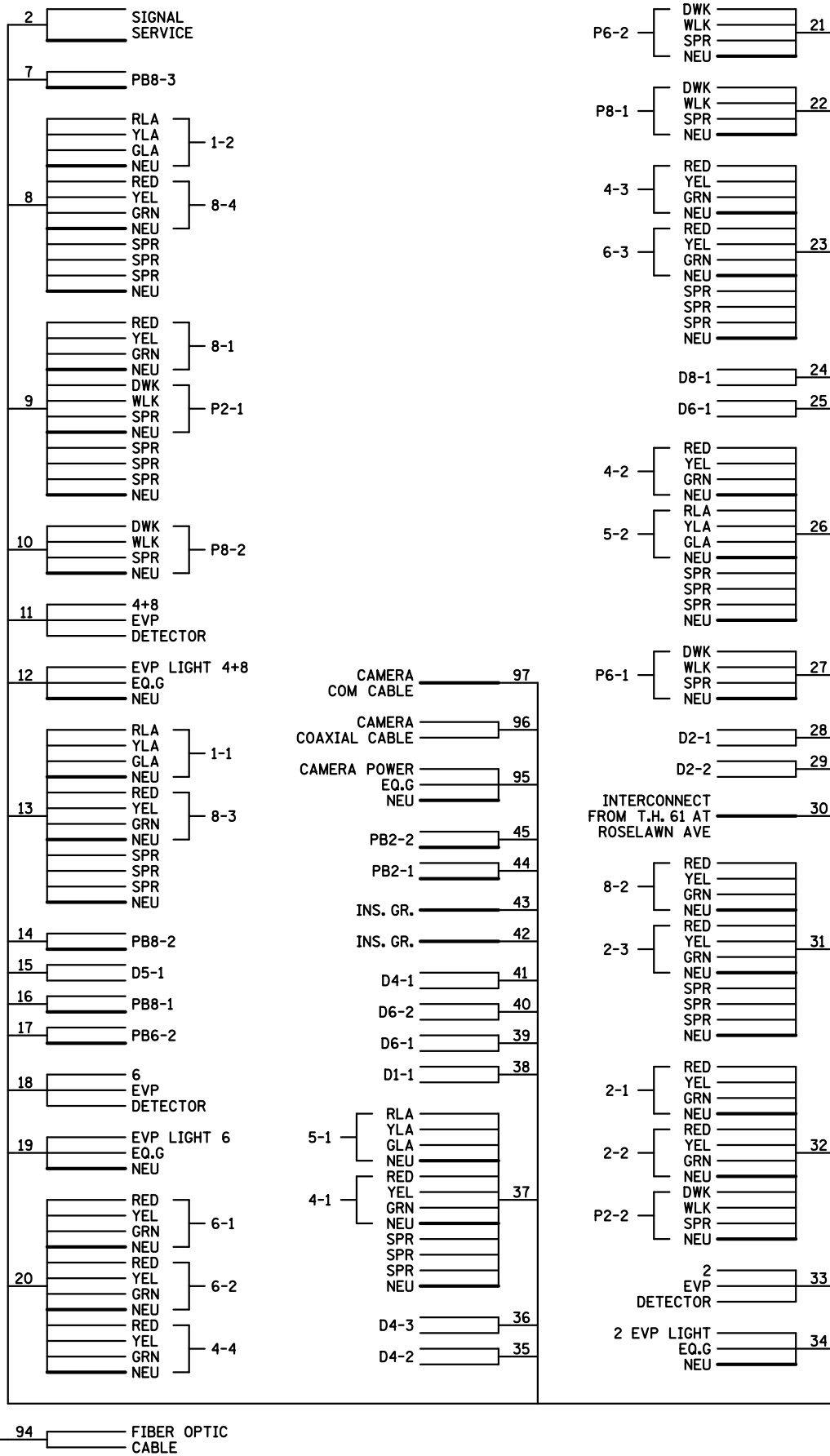
BY	DATE	REVISIONS
GDS	05-20-16	AS BUILT OF SP 6211-90

SYSTEM ID: 21037	T.E.
METER ADDRESS: 2286 MAPLEWOOD DR	
MASTER ID:	T.E.

FIELD WIRING DIAGRAM (1 OF 2)
TRAFFIC CONTROL SIGNAL SYSTEM
T.H. 61 AT C.S.A.H. 25 (CO RD B)
IN MAPLEWOOD, RAMSEY COUNTY

S.A.P. NO.	DRAWN BY:	CKD BY:	DATE:
CERTIFIED BY _____	LIC. NO. _____	DATE: _____	
STATE PROJ. NO.	(T.H. 61)	SHEET NO. 3 OF 4 SHEETS	

CONTROLLER CABINET



PLOTTED/REVISED: 5/20/2016

DISTRICT #: METRO
IPLOT NAME: wiring 2
PATH & FILENAME: IP_PWP-d077994NT21037_sgl.dgn

BY	DATE	REVISIONS
GDS	05-20-16	AS BUILT OF SP 6211-90

SYSTEM ID: 21037 T.E.
METER ADDRESS: 2286 MAPLEWOOD DR
MASTER ID: T.E.

FIELD WIRING DIAGRAM (2 OF 2)
TRAFFIC CONTROL SIGNAL SYSTEM
T.H. 61 AT C.S.A.H. 25 (CO RD B)
IN MAPLEWOOD, RAMSEY COUNTY

S.A.P. NO.	DRAWN BY:	CKD BY:	DATE:
CERTIFIED BY _____	LIC. NO. _____	DATE: _____	
STATE PROJ. NO.	(T.H. 61)	SHEET NO. 4 OF 4 SHEETS	