

① PA90 POLE FOUNDATION
 TYPE PA90-A-35
 ONE WAY SIGNAL OVERHEAD
 TYPE 10B POLE AT 90 DEG
 TYPE 10A POLE AT 180 DEG
 CD PED HEAD AT 90 DEG
 APS PB & SIGN (LT ARROW) (PB6-1)
 EVP DETECTOR AND CONFIRMATORY LIGHT (PHASE 8)
 MOUNTED 4' FROM THE END OF THE MAST ARM
 EVP DETECTOR (PHASE 4) EXTENDED TO HEIGHT OF 17'
 ABOVE THE ROAD ON POLE 1
 R9-3 SIGN (FACING POLE 2)
 EXTEND INTO HH 16:
 3" RSC
 1-12/C #12
 2-3/C #12
 2-3/C #20
 1-2/C #14

③ PA85 POLE FOUNDATION
 TYPE PA85-A-20
 ONE WAY SIGNAL OVERHEAD
 2-TYPE 10A AT 90 & 180 DEG
 EVP CONFIRMATORY LIGHT (PHASE 4) AT 4'
 R9-3 SIGNS (FACING POLE 4)
 EXTEND INTO HH 9:
 3" RSC
 1-12/C #12
 4-3/C #12

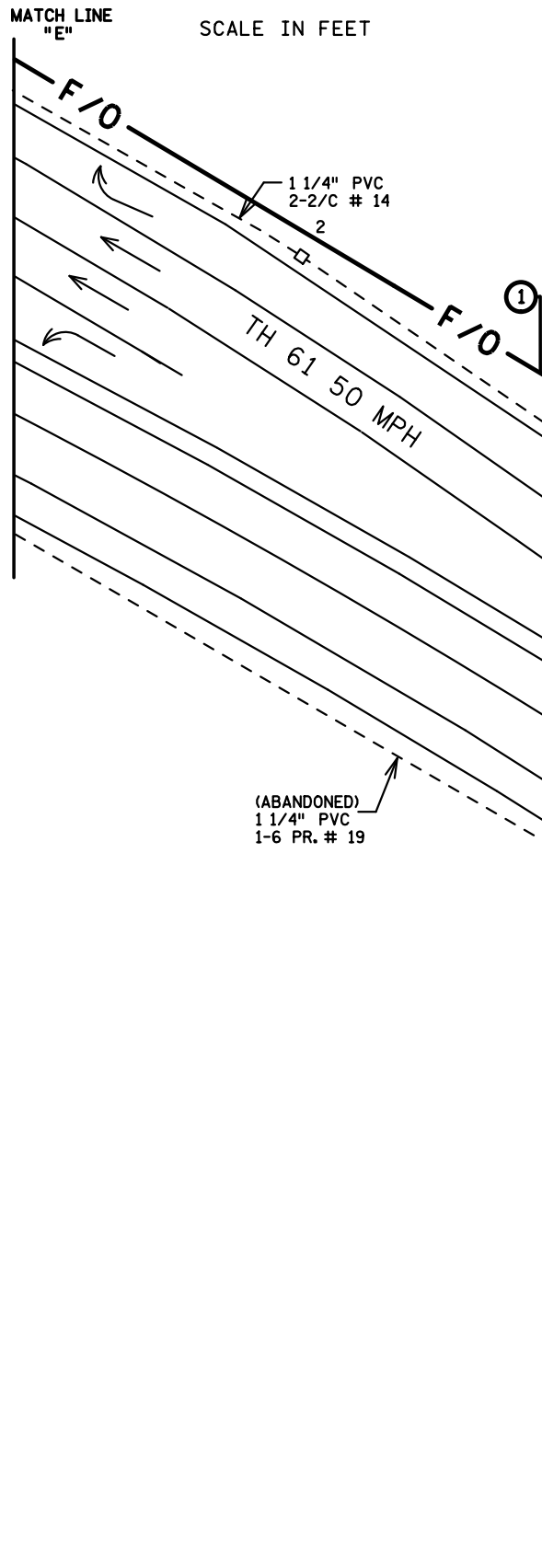
② PA100 POLE FOUNDATION
 TYPE PA100-A-45-X6-350/CAM 400 (AT 350 DEG)
 LUMINAIRE 200WATT HPS
 VIDEO CAMERA
 SWING AWAY HINGES
 3- ONE WAY SIGNALS OVERHEAD AT 0', 11' & 23'
 2-TYPE 10A AT 90 & 180 DEG
 R9-3 SIGN (FACING POLE 1)
 ONE WAY EVP DETECTOR & LIGHT (PHASE 2)
 EXTEND INTO HH 8:
 3" RSC
 2-12/C #12
 2-3/C #12
 1-3/C #20
 1-3/C #12 (LUM)
 1-7/16" GROUNDING BRAID TO GROUND ROD IN H.H.8
 1-3/c#14 (CAMERA POWER)
 1-COM CABLE
 1-COAXIAL CABLE

④ PA100 POLE FOUNDATION
 TYPE PA100-A-50-D40-9 (DAVIT AT 350 DEG)
 LUMINAIRE 200 WATT HPS
 2-SWING AWAY HINGES
 3 - ONE WAY SIGNALS OVERHEAD AT 0', 11' & 23'
 TYPE 10A POLE AT 90 DEG
 TYPE 10B POLE AT 180 DEG
 CD PED HEAD AT 180 DEG
 ONE WAY EVP DETECTOR & LIGHT (PHASE 6)
 R9-3 SIGN (FACING POLE 3)
 EXTEND INTO HH 14:
 3" RSC
 2-12/C #12
 4-3/C #12
 1-3/C #20
 1-3/C #12 (LUM)

① EQUIPMENT PAD - SEE LAYOUT DETAIL
 CONTROLLER CABINET
 SERVICE CABINET
 METER TO HH 17:
 2" RSC
 3-1/C # 2
 BETWEEN SIGNAL SERVICE CABINET AND HH 16
 2" RSC
 2-3/C #12 (LUM)
 SIGNAL CONTROLLER AND CABINET
 BETWEEN SIGNAL CABINET AND
 SIGNAL SERVICE CABINET:
 2" RSC
 2-1/C #4
 1-1/C #6 INS. GR.
 BETWEEN SIGNAL CABINET AND HH 1:
 4" RSC
 3-12/C #12
 6-3/C #12
 1-3/C #20
 2-6 PR. # 19 (ABANDONED)
 8-2/C #14
 1-3/c#14 (CAMERA POWER)
 1-COM CABLE
 1-COAXIAL CABLE
 BETWEEN SIGNAL CABINET AND HH 16:
 4" RSC
 3-12/C #12
 5-3/C #12
 3-3/C #20
 10-2/C #14
 BETWEEN HH 1 AND HH 16:
 2" RSC
 1-3/C #12 (LUM)
 FROM SIGNAL CABINET TO TMS PULL VAULT:
 3" RSC STUBOUT
 1.5" PVC
 1-6SM FIBER OPTIC PIGTAIL

② WOOD POLE
 120/240 VOLT DISCONNECT
 ABOVE DISCONNECT
 2" RSC RISER AND WEATHERHEAD:
 3-1/C #2
 BELOW DISCONNECT
 2" RSC RISER TO HH 17:
 3-1/C #2

① SEE THE TMS PLAN FOR FIBER OPTICS.



(ABANDONED)
 1 1/4" PVC
 1-6 PR. # 19

(ABANDONED)
 1 1/4" INTERDUCT
 1-6 PR. # 19

1-6 PR # 19 (ABANDONED)
 DIRECT BURIED
 TO TH 61 @ CSAH 25 (CO RD B)

PLOTTED/REVISED: 10/23/2015

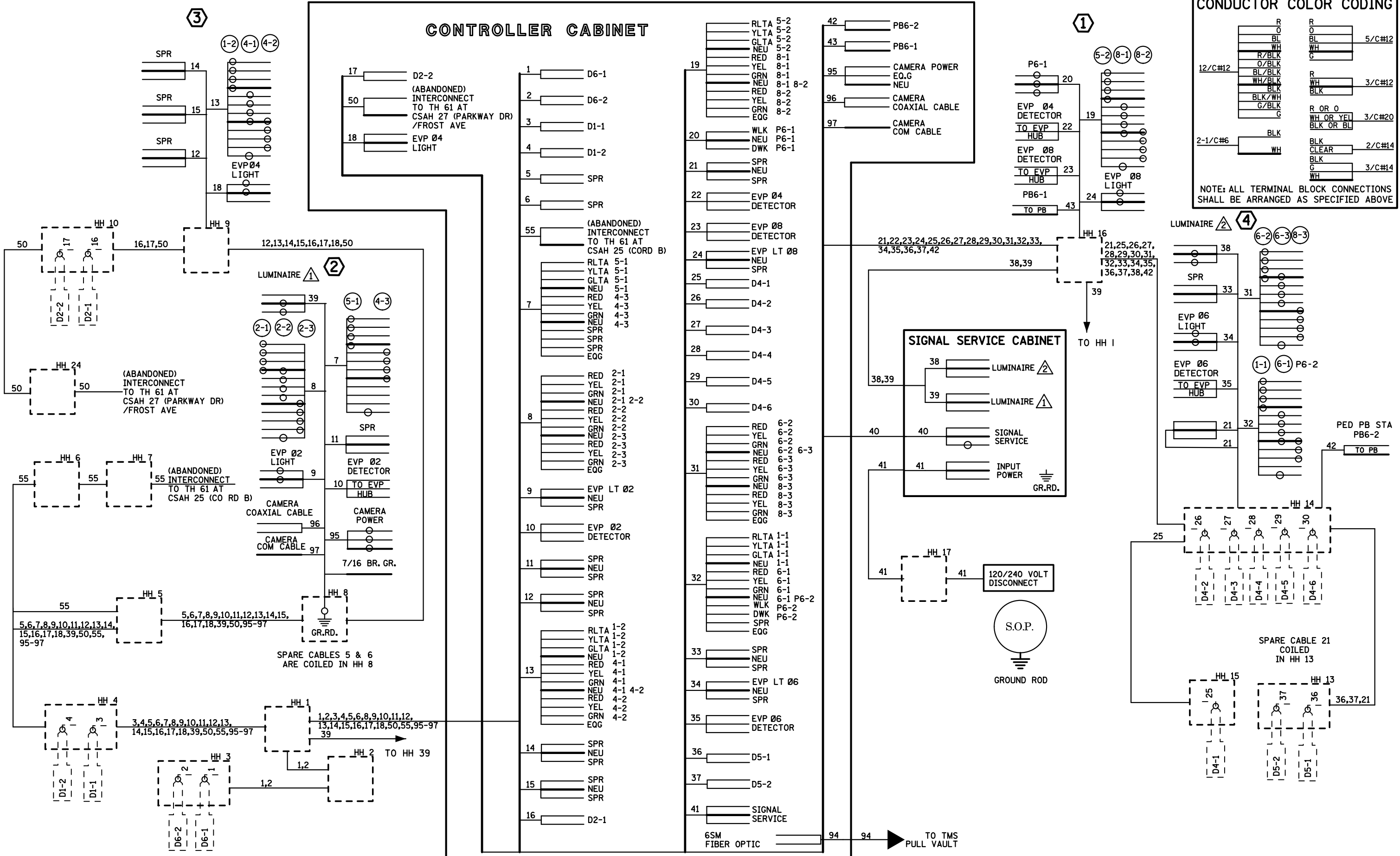
DISTRICT #: METRO
 IPLOT NAME: MATCHLINES POLE NOTES
 PATH & FILENAME: IP_PWP-d079832\T22131_sgl.dgn

BY	DATE	REVISIONS	SYSTEM ID: 22131	T.E.	S.A.P. NO.	DRAWN BY: SJK	CKD BY: EJA	DATE: 06-14-12
EJA	10-23-15	AS-BUILT OF SP 6222-168 FIBER & CAMERA	METER ADDRESS: 1920 HWY 61		CERTIFIED BY _____	LIC. NO. _____	DATE: _____	
			MASTER ID:	T.E.	MATCH LINES AND POLE NOTES TH 61 AT ROSELAWN AVE MAPLEWOOD, RAMSEY COUNTY			
					STATE PROJ. NO.	(T.H.61)	SHEET NO.	2 OF 3 SHEETS

PLOTTED/REVISED: 10/23/2015

DISTRICT #: METRO
PLOT NAME: WIRING DIAGRAM
PATH & FILENAME: IP_PWP-d079832V22131_sgl.dgn

CONTROLLER CABINET



CONDUCTOR COLOR CODING

R	R
O	O
BL	BL
WH	WH
R/BLK	5/C#12
O/BLK	
BL/BLK	
WH/BLK	
BLK	3/C#12
BLK/WH	
G/BLK	
G	
R OR O	3/C#20
WH OR YEL	
BLK OR BL	
BLK	2/C#14
CLEAR	
BLK	
G	3/C#14
WH	

NOTE: ALL TERMINAL BLOCK CONNECTIONS SHALL BE ARRANGED AS SPECIFIED ABOVE

BY	DATE	REVISIONS
EJA	10-23-15	AS-BUILT OF SP 6222-168 FIBER & CAMERA

SYSTEM ID: 22131	T.E. 5543
METER ADDRESS: 1920 HWY 61	
MASTER ID:	T.E.

FIELD WIRING DIAGRAM
TH 61 AT ROSELAWN AVE
MAPLEWOOD, RAMSEY COUNTY

S.A.P. NO.	DRAWN BY: SJK	CKD BY: EJA	DATE: 06-14-12
CERTIFIED BY _____	LIC. NO. _____	DATE: _____	
STATE PROJ. NO. (T.H. 61)		SHEET NO. 3 OF 3 SHEETS	