

**SIGNAL FACES**

ALL SIG. INDICATIONS SHALL BE 12"

FACE	R	Y	C	YLTA	GLTA
2-1	●	●	●	---	---
2-2	●	●	●	---	---
2-3	●	●	●	---	---
4-1	●	●	●	---	---
4-2	●	●	●	---	---
4-3	●	●	●	---	---
6-1	●	●	●	---	---
6-2	●	●	●	---	---

**SIGNAL SYSTEM OPERATION**

SYSTEM FLASH IS ALL-RED.  
 NORMAL OPERATION IS 4-PHASE WITH PHASE 5 PERMISSIVE/PROTECTED LEFT TURNS.  
 PHASES 2 AND 6 ON VEHICLE RECALL.

REVISED AT MN/DOT BY SJK/EJA 04-12-10

INTERSECTION LAYOUT  
 T.H. 35W AT W. 82ND ST. E. RAMP  
 IN BLOOMINGTON, HENNEPIN COUNTY

SYSTEM ID: 20585  
 METER ADDRESS: 8201 HUMBOLDT AVENUE

# 1735277

NO.	REVISIONS	BY	APP	DATE

DESIGNED:	CHECKED:
MAB	NJE
DRAWN:	APPROVED:
MAB	NJE



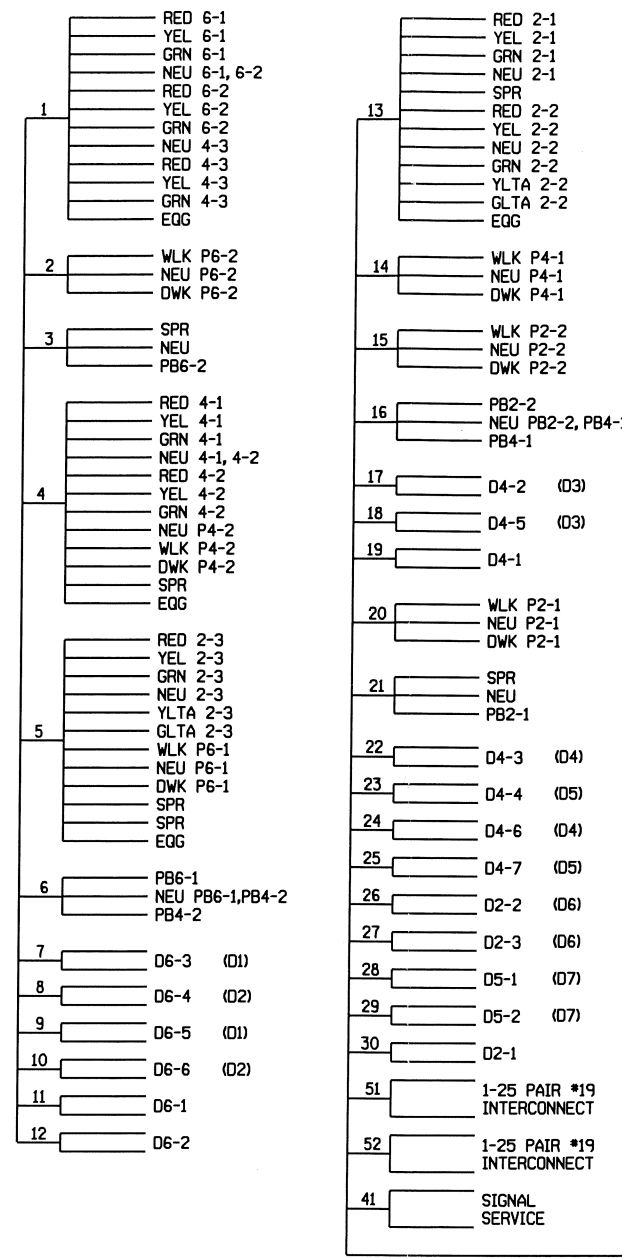
I HEREBY CERTIFY THAT THIS PLAN, SPECIFICATION OR REPORT WAS PREPARED BY ME OR UNDER MY DIRECT SUPERVISION AND THAT I AM A DULY LICENSED PROFESSIONAL ENGINEER UNDER THE LAWS OF THE STATE OF MINNESOTA.

CERTIFIED BY *Nickolas J. Empelung*  
 NICKOLAS J. EMPELUNG  
 LIC. NO. 44582 DATE 11/09/2017

**W 82ND ST AT 35W E RAMP (SYSTEM "H")**  
**SIGNAL PLANS - INTERSECTION LAYOUT**

STATE PROJ. NO. 2782-346 (T.H. 35W) SHEET NO. 135 OF 534 SHEETS

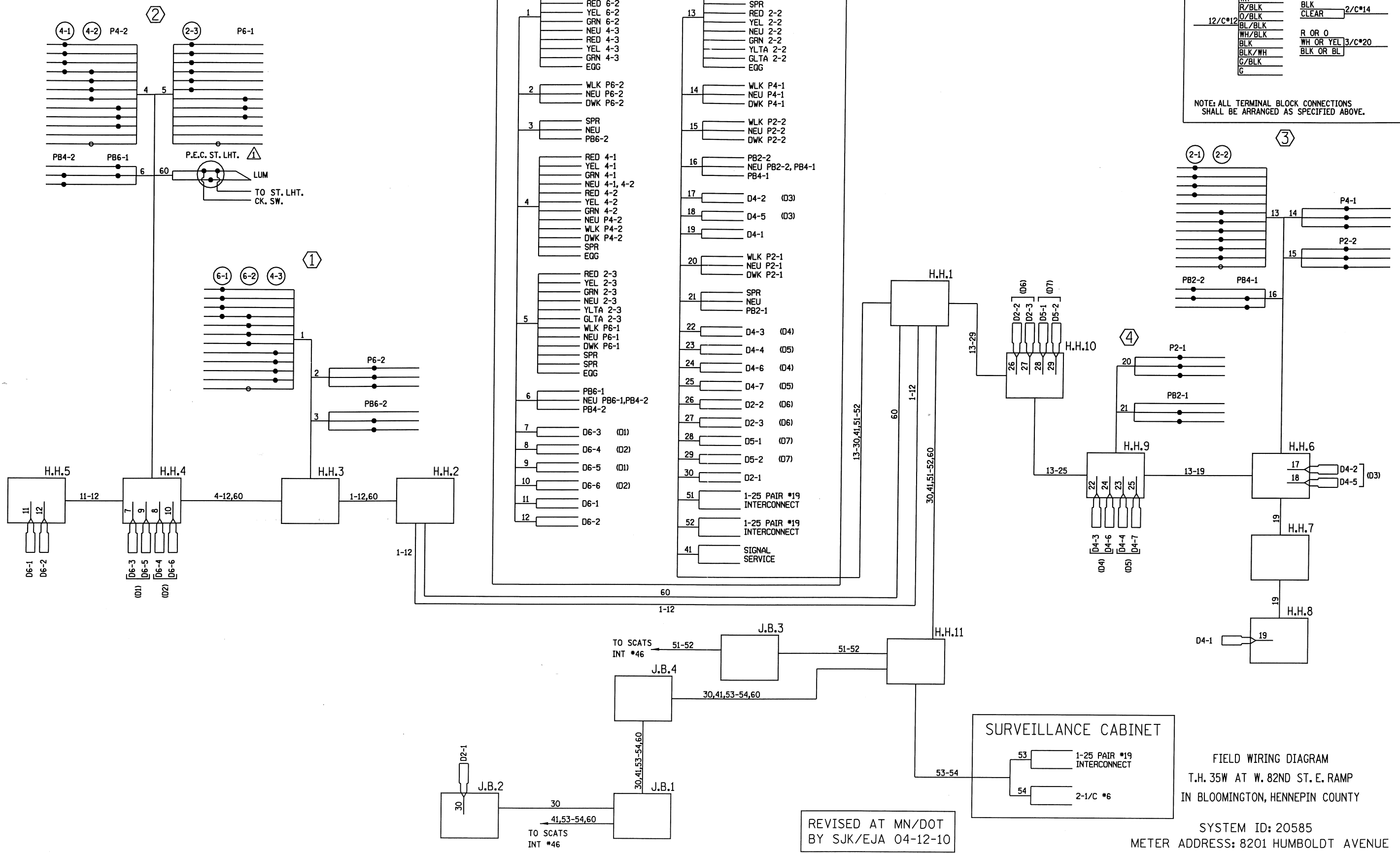
CONTROLLER CABINET



CONDUCTOR COLOR CODING

R	BLK	
O	WH	3/C*12
BL	RED	
WH		
R/BLK	BLK	2/C*14
O/BLK	CLEAR	
BL/BLK		
WH/BLK	R OR O	
BLK	WH OR YEL	3/C*20
BLK/WH	BLK OR BL	
G/BLK		
G		

NOTE: ALL TERMINAL BLOCK CONNECTIONS SHALL BE ARRANGED AS SPECIFIED ABOVE.



REVISED AT MN/DOT BY SJK/EJA 04-12-10

FIELD WIRING DIAGRAM  
T.H. 35W AT W. 82ND ST. E. RAMP  
IN BLOOMINGTON, HENNEPIN COUNTY

SYSTEM ID: 20585  
METER ADDRESS: 8201 HUMBOLDT AVENUE