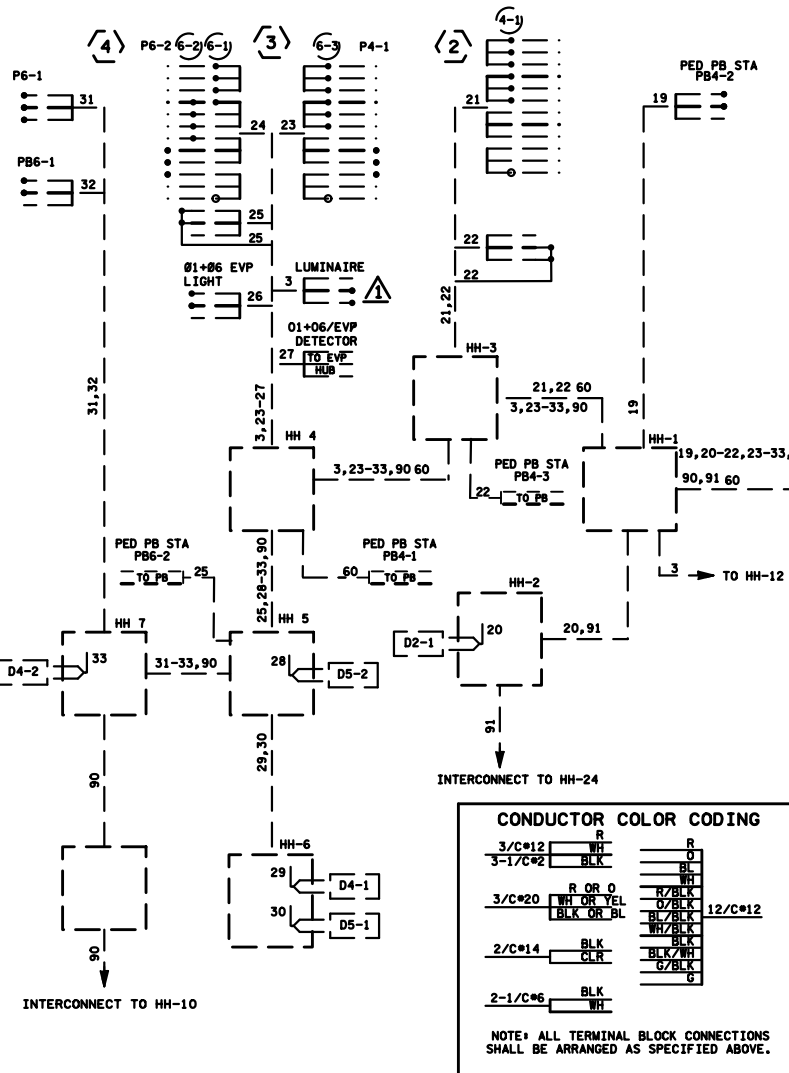




PLOTTED/REVISED: 8/22/2014

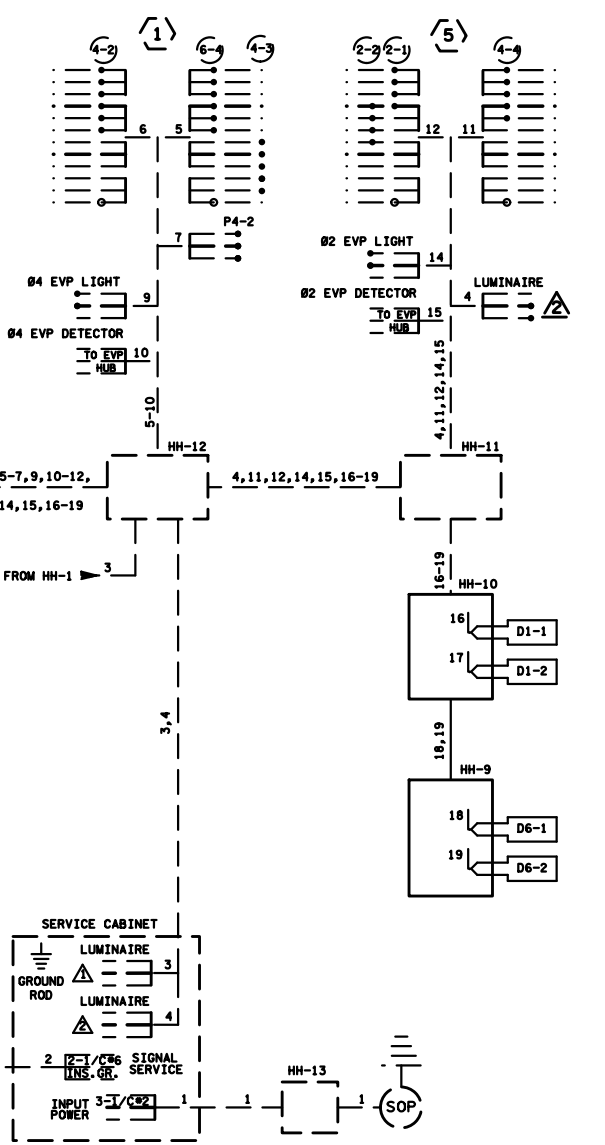
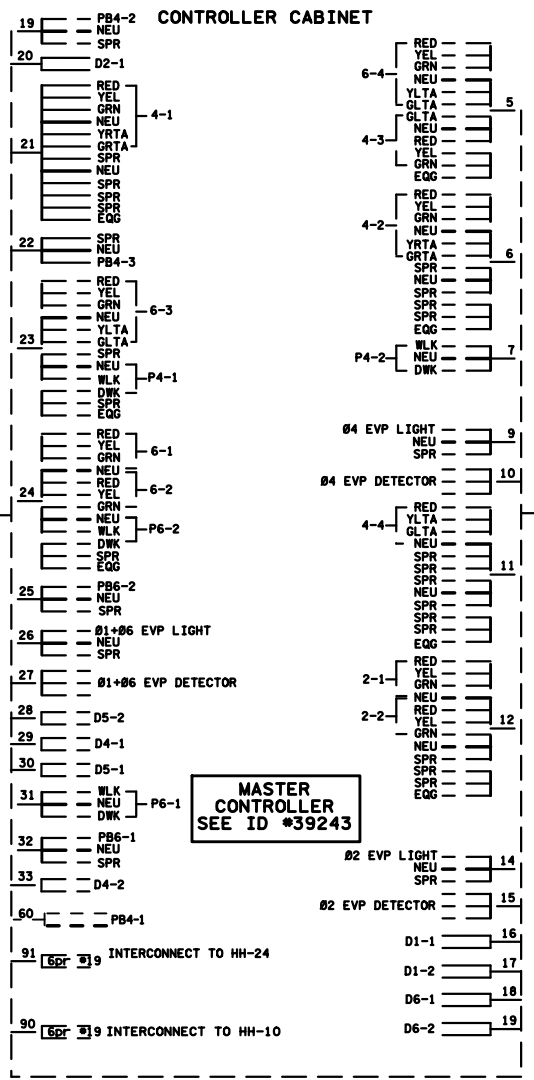
DISTRICT #: METRO  
 I/PLOT NAME: wiring diagram  
 PATH & FILENAME: IP\_PWP-dot8067AT-38241-ssj.dgn



**CONDUCTOR COLOR CODING**

3/C#12	R	R
3-1/C#2	WH	0
	BLK	BL
		WH
3/C#20	R OR 0	R/BLK
	WH OR YEL	0/BLK
	BLK OR BL	BL/BLK
		WH/BLK
2/C#14	BLK	BLK
	CLR	BLK/WH
		BLK/BLK
		G/BLK
2-1/C#6	BLK	G
	WH	

NOTE: ALL TERMINAL BLOCK CONNECTIONS SHALL BE ARRANGED AS SPECIFIED ABOVE.



BY	DATE	REVISIONS	SYSTEM ID:	T.E.
EJA	08-22-14	AS-BUILT OF SP 7080-51 APS & CD PEDS ADDED	38241	5776
			METER ADDRESS: 17390 KENWOOD TRAIL	
			MASTER ID: 38243	T.E.

**FIELD WIRING DIAGRAM**  
 TH 35 AT C.S.A.H. 50/ (KENWOOD TRAIL)  
 EAST RAMP  
 IN LAKEVILLE, DAKOTA COUNTY

S.A.P. NO.	DRAWN BY: SJK	CKD BY: EJA	DATE: 02-19-13
CERTIFIED BY: <i>Michael P. Sabwal</i>	L.I.C. NO. 19863	DATE: 03-21-13	
STATE PROJ. NO.	(T.H.35)	SHEET NO.	2 OF 2 SHEETS