

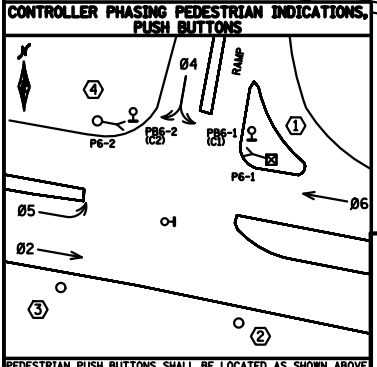
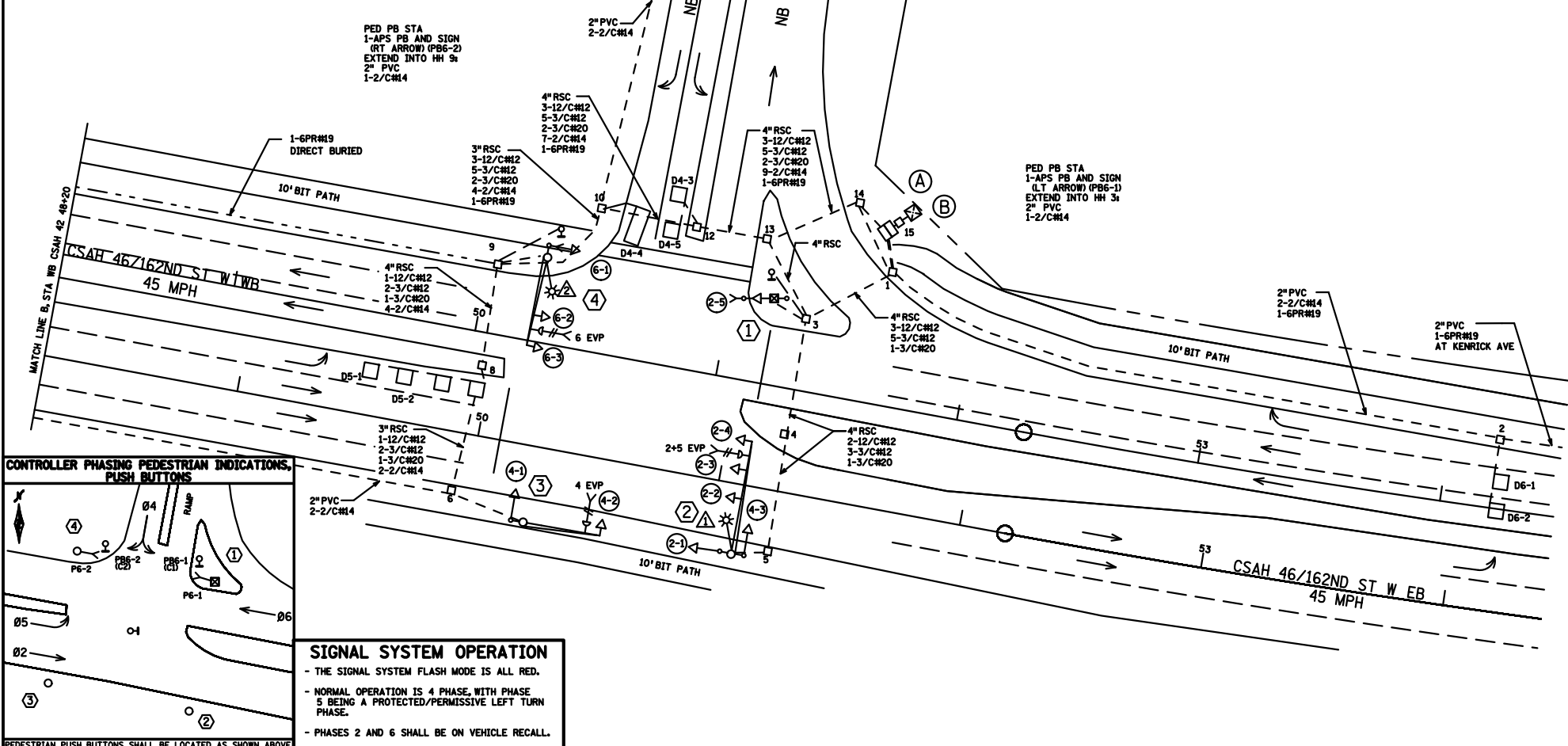
PLOTTED/REVISED: 8/25/2014

DISTRICT #: METRO  
PILOT NAME: layout  
PATH & FILENAME: IP\_PWP-107806761\_38168\_spl.dgn

### PVC LOOP DETECTOR CHART

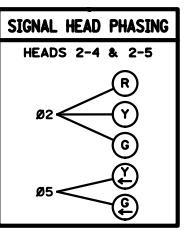
DESIGNATION	NO. OF LOOPS	LOCATION
D2-1, D2-2, D6-1, D6-2	1-6X6	300
D4-1, D4-2	1-6X6	180
D4-3	1-6X6	40
D4-4	1-6X15	0
D4-5	1-6X6	10
D5-1	2-6X6	20 & 50
D5-2	2-6X6	5 & 35

-ALL LOOP DETECTORS ARE 6' X 6' PVC UNLESS OTHERWISE SPECIFIED  
-LOCATION: DISTANCE FROM CROSSWALK/STOP LINE IN FEET



### SIGNAL SYSTEM OPERATION

- THE SIGNAL SYSTEM FLASH MODE IS ALL RED.
- NORMAL OPERATION IS 4 PHASE, WITH PHASE 5 BEING A PROTECTED/PERMISSIVE LEFT TURN PHASE.
- PHASES 2 AND 6 SHALL BE ON VEHICLE RECALL.



### SIGNAL HEAD CHART

FACE	R	Y	G	Y	G
2-1, 2-2, 2-3	○	○	○	○	○
2-4, 2-5	○	○	○	◀	◀
4-1, 6-1, 6-2, 6-3	○	○	○	○	○
4-2	○	○	○	○	◀
4-3	○	○	○	○	◀

-ALL SIGNAL INDICATIONS ARE 12" LEDS  
-ALL SIGNAL FACES HAVE A BACKGROUND SHIELD

BY	DATE	REVISIONS
EJA	08-25-14	AS-BUILT OF SP 7080-51 APS & CD PEDS ADDED

SYSTEM ID: 38168	T.E. 5779
METER ADDRESS: 10800 162ND ST W	
MASTER ID: 38169	T.E.

**INTERSECTION LAYOUT**  
**TH 35 AT C.S.A.H. 46 (162ND ST.)**  
**EAST RAMP**  
**IN LAKEVILLE, DAKOTA COUNTY**

S.A.P. NO.	DRAWN BY: SJK	CKD BY: EJA	DATE: 02-19-13
CERTIFIED BY: <i>Michael P. Selinsky</i>	LIC. NO. 19863	DATE: 03-21-13	
STATE PROJ. NO.	(T.H.35)	SHEET NO.	1 OF 3 SHEETS

PLOTTED/REVISED: 8/25/2014

DISTRICT #: METRO  
PILOT NAME: match lines pole notes  
PATH & FILENAME: IP\_PWP-207806761.36168\_spl.dgn

**1** PEDESTAL FOUNDATION  
13' SIGNAL PEDESTAL PLUS BASE  
TYPE 5B  
1-CD PED HEAD  
1-R9-3 SIGN (FACING POLE 2)  
EXTEND TO HH5:  
3" RSC  
1-12/C#12  
2-3/C#12  
1-2/C#14

**3** PA90 POLE FOUNDATION  
TYPE PA90-A-30  
ONE WAY SIGNAL OVERHEAD AT 0'  
ONE WAY EVP DETECTOR & CONFIRMATORY LIGHT (4)  
TYPE 10A AT 180 DEG  
1-R9-3 SIGN (FACING POLE 4)  
EXTEND TO HH6:  
3" RSC  
1-12/C#12  
2-3/C#12  
1-3/C#20

**2** PA100 POLE FOUNDATION  
TYPE PA100-A-45-D40-9 (DAVIT AT 350 DEG)  
3-ONE WAY SIGNALS OVERHEAD AT 0', 11' & 23'  
LUMINAIRE 250W HPS  
1-R10-12 SIGN (ADJACENT TO HEAD 2-4)  
1-TYPE D SIGN (D-1)  
ONE WAY EVP DETECTOR & CONFIRMATORY LIGHT (2+5)  
2-TYPE 10A AT 90 & 270 DEG  
1-R9-3 SIGN (FACING POLE 1)  
1-R6-1 (L) SIGN (ONE WAY)  
EXTEND TO HH5:  
3" RSC  
2-12/C#12  
3-3/C#12  
1-3/C#20

**4** PA90 POLE FOUNDATION  
TYPE PA90-A-35-D40-9 (DAVIT AT 350 DEG)  
2-ONE WAY SIGNALS OVERHEAD AT 0' & 11'  
LUMINAIRE 250W HPS  
ONE WAY EVP DETECTOR & CONFIRMATORY LIGHT (4)  
TYPE 10B AT 180 DEG  
1-CD PED HEAD  
1-R9-3 SIGN (FACING POLE 3)  
1-R6-1 (R) SIGN (ONE WAY)  
EXTEND TO HH5:  
3" RSC  
2-12/C#12  
3-3/C#12  
1-3/C#20  
1-2/C#14

**A** EQUIPMENT PAD  
CONTROLLER & CABINET  
SERVICE CABINET  
CABINET TO HH 1    CABINET TO HH 14  
4" RSC                    4" RSC  
3-12/C#12                3-12/C#12  
4-3/C#12                4-3/C#12  
2-2/C#14                9-2/C#14  
1-3/C#20                2-3/C#20  
1-6PR#19                1-6PR#19

**B** SOP  
DAKOTA ELECTRIC GROUND  
MOUNTED TRANSFORMER  
EXTEND TO HH 15:  
2" RSC  
2-1/C#6  
1-1/C#6 INS. GR.

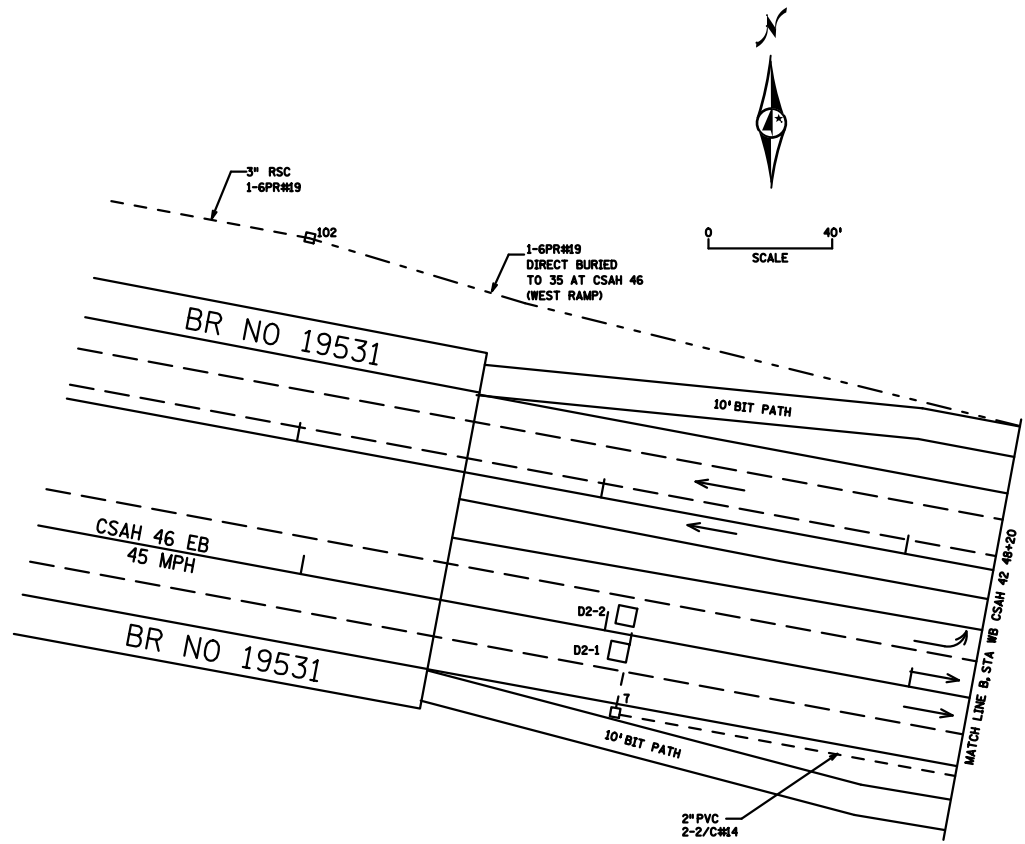
3/4", 2" & 3" RSC SLUBBED OUT OF  
CONTROLLER CABINET THREADED AND  
CAPPED BOTH ENDS.

SERVICE CABINET TO CONTROLLER CABINET  
2" RSC  
2-1/C#6  
1-1/C#6 INS. GR.

SERVICE CABINET TO HH 15  
2" RSC  
3-1/C#2

SERVICE CABINET TO HH 1  
3" RSC  
2-3/C#12 (LUM)

HH 1 TO HH 14  
2" RSC  
1-3/C#12 (LUM)



BY	DATE	REVISIONS
EJA	08-25-14	AS-BUILT OF SP 7080-51 APS & CD PEDS ADDED

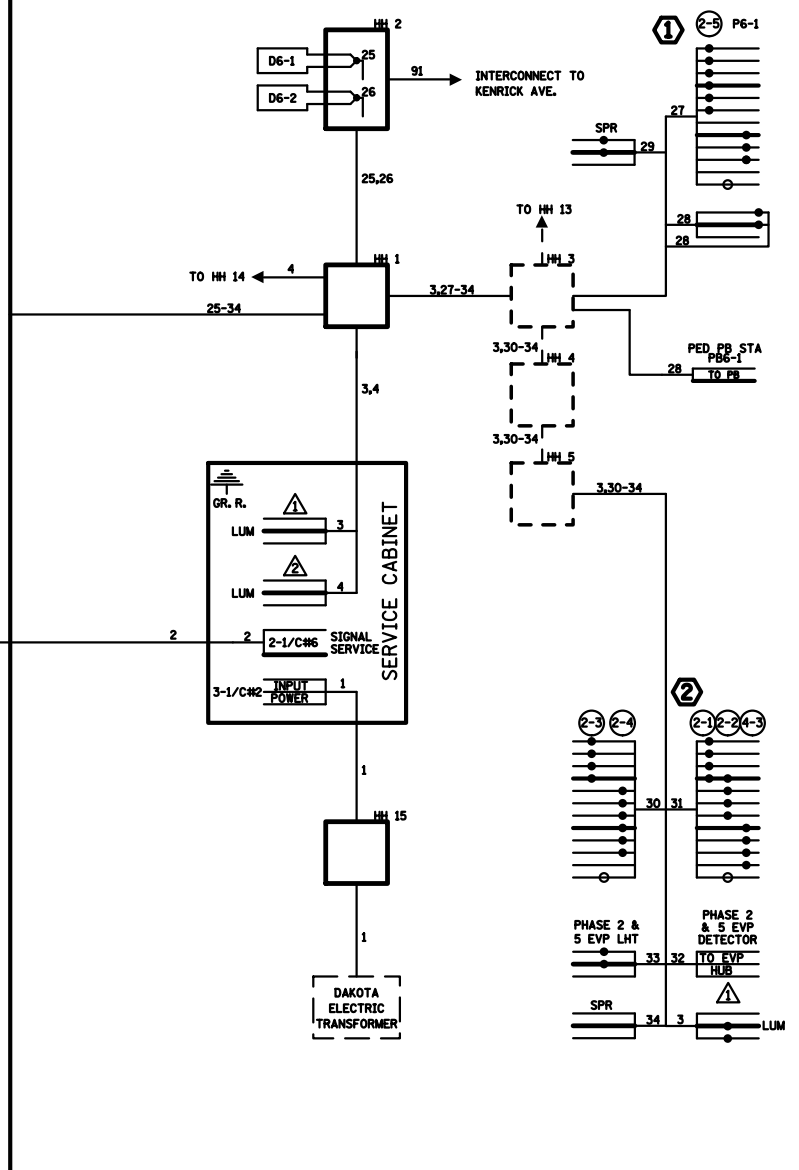
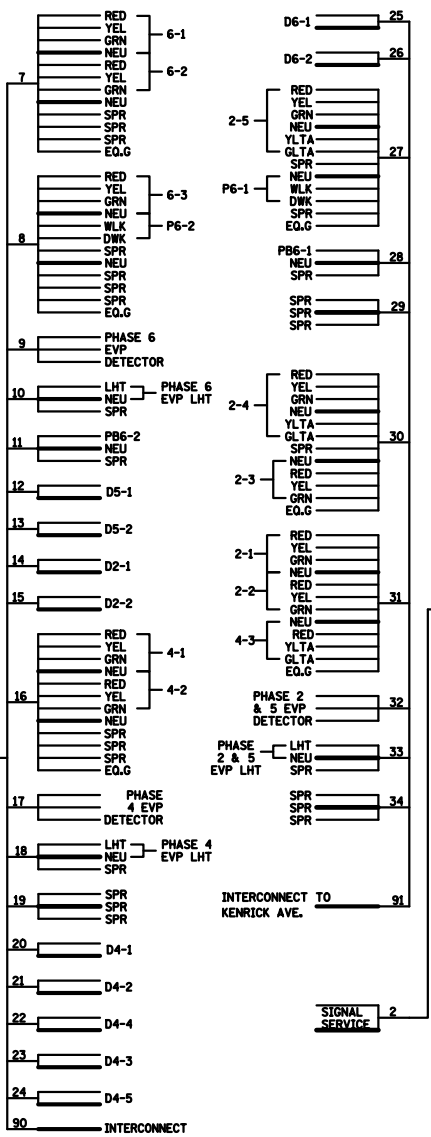
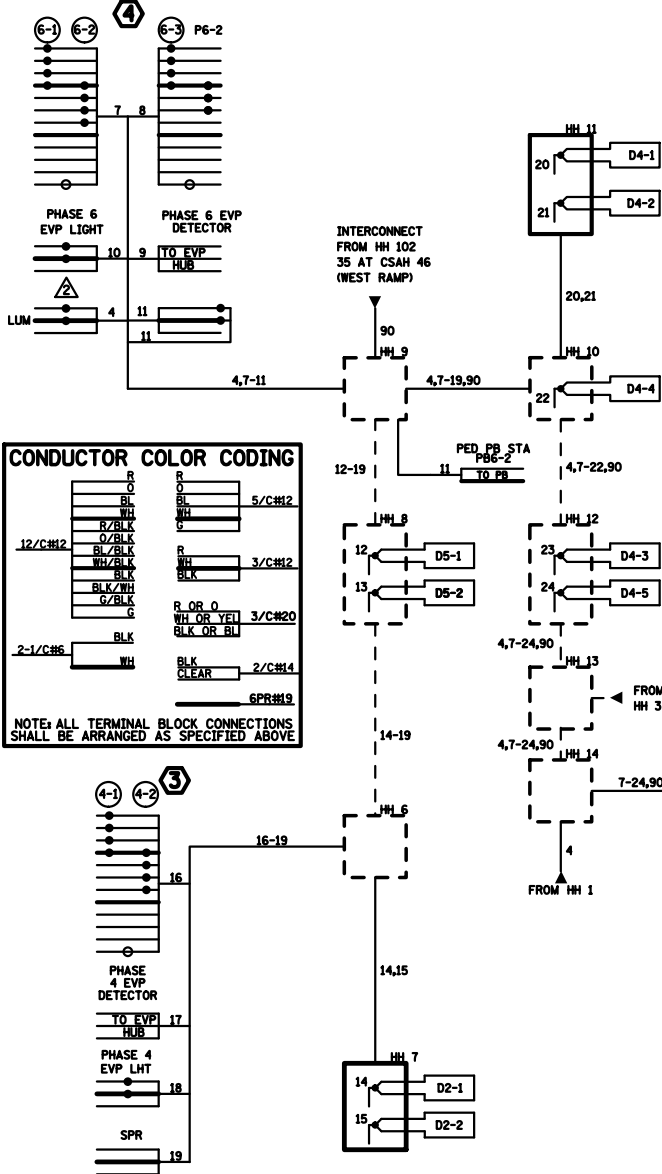
SYSTEM ID: 38168	T.E. 5779
METER ADDRESS: 10800 162ND ST W	
MASTER ID: 38169	T.E.

**MATCH LINES AND POLE NOTES**  
TH 35 AT C.S.A.H. 46 (162ND ST.)  
EAST RAMP  
IN LAKEVILLE, DAKOTA COUNTY

S.A.P. NO.	DRAWN BY: SJK	CKD BY: EJA	DATE: 02-19-13
CERTIFIED BY: <i>Michael P. Liburdy</i>	LIC. NO. 19863	DATE: 03-21-13	
STATE PROJ. NO.	(T.H.35)	SHEET NO.	2 OF 3 SHEETS

PLOTTED/REVISED: 8/25/2014

### CONTROLLER CABINET



DISTRICT #: METRO  
 I/PLOT NAME: wiring diagram  
 PATH & FILENAME: IP\_PWP-207806761\_38168\_spl.dgn

BY	DATE	REVISIONS
EJA	08-25-14	AS-BUILT OF SP 7080-51 APS & CD PEDS ADDED

SYSTEM ID: 38168	T.E. 5779
METER ADDRESS: 10800 162ND ST W	
MASTER ID: 38169	T.E.

**FIELD WIRING DIAGRAM**  
 TH 35 AT C.S.A.H. 46 (162ND ST.)  
 EAST RAMP  
 IN LAKEVILLE, DAKOTA COUNTY

S.A.P. NO.	DRAWN BY: SJK	CKD BY: EJA	DATE: 02-19-13
CERTIFIED BY: <i>Michael P. Schwalz</i>	L.T.C. NO. 19863	DATE: 03-21-13	
STATE PROJ. NO.	(T.H.35)	SHEET NO. 3 OF 3 SHEETS	