

PLOTTED/REVISED: 5/18/2016

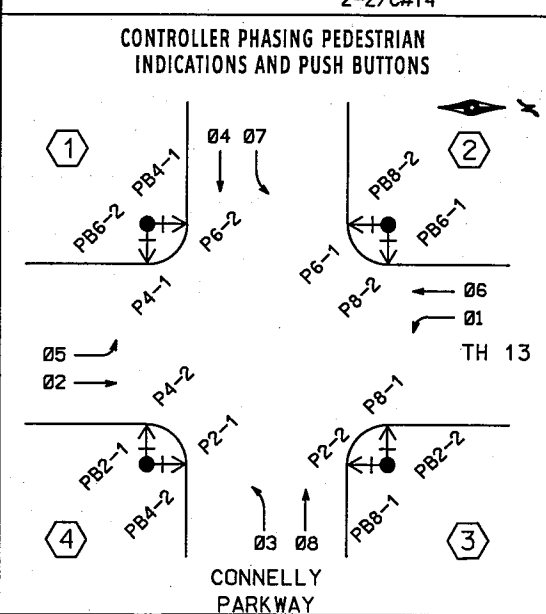
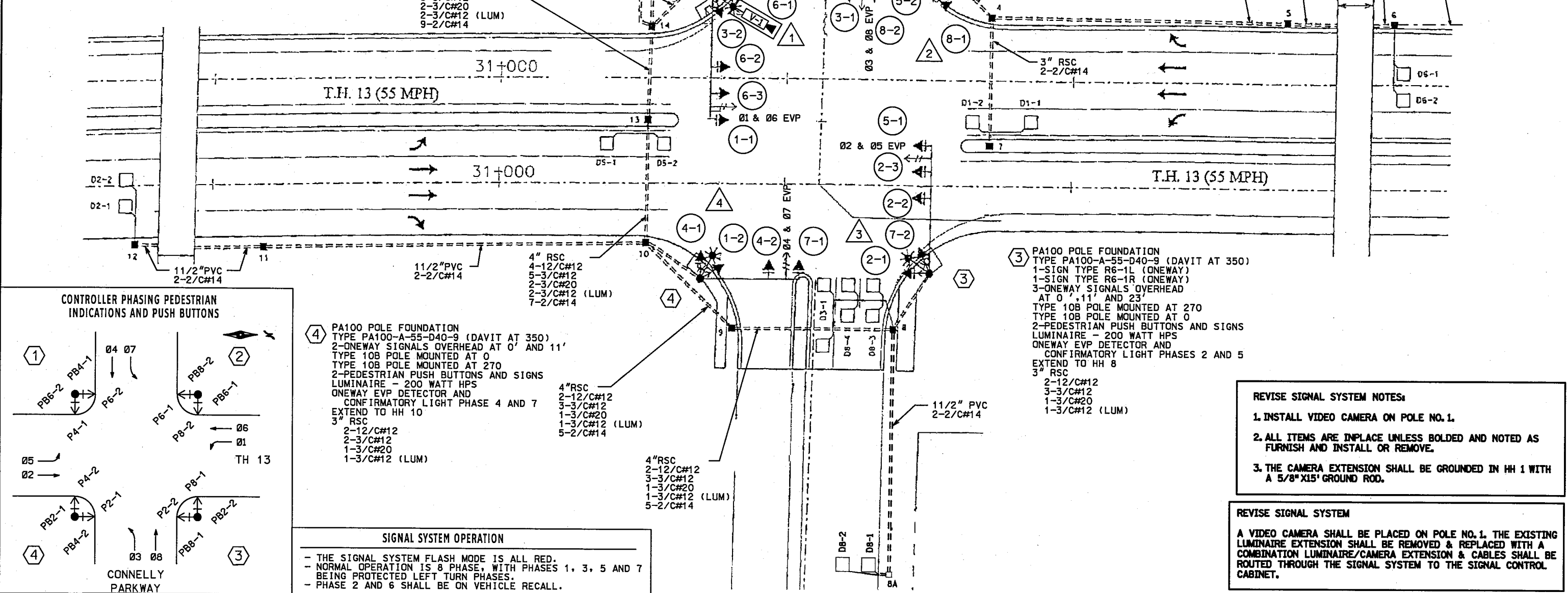
PVC LOOP DETECTORS		
NUMBER	SIZE	LOCATION
D1-1	6X6	40'
D1-2	6X6	10'
D2-1	6X6	394'
D2-2	6X6	394'
D3-1	2-6X6	10' & 40'
D4-1	6X6	131'
D4-2	6X6	131'
D4-3	2-6X6	5' & 20'
D4-4	2-6X6	5' & 20'
D5-1	6X6	40'
D5-2	6X6	10'
D6-1	6X6	394'
D6-2	6X6	394'
D7-1	2-6X6	10' & 40'
D8-1	6X6	131'
D8-2	6X6	131'
D8-3	2-6X6	5' & 20'
D8-4	2-6X6	5' & 20'

① PA100 POLE FOUNDATION
 TYPE PA100-A-55-D40-9 (DAVIT AT 350)
 REMOVE - D40-9 (DAVIT)
 F&I - X6-350/CAM 400 EXTENSION (MOUNTED AT 350 DEF) (INCLUDES LIGHTNING ROD, 7/16" GROUND BRAID & GROUND ROD)
 INSTALL - 1-VIDEO CAMERA WITH MOUNT
 1-SIGN TYPE R6-1L (ONEWAY)
 1-SIGN TYPE R6-1R (ONEWAY)
 3-ONEWAY SIGNALS OVERHEAD AT 0', 11' AND 23'
 TYPE 10B POLE MOUNTED AT 270
 TYPE 10B POLE MOUNTED AT 0
 2-PEDESTRIAN PUSH BUTTONS AND SIGNS LUMINAIRE - 200 WATT HPS
 ONEWAY EVP DETECTOR AND CONFIRMATORY LIGHT PHASES 1 AND 6
 EXTEND TO HH 1
 3" RSC
 2-12/C#12
 3-3/C#12
 1-3/C#20
 1-3/C#12 (LUM)
 F&I - 1-7/16" GROUND BRAID TO GROUND ROD
 1-3/C#14 (CAMERA POWER)
 1-COM CABLE
 1-COAXIAL CABLE

② PA100 POLE FOUNDATION
 TYPE PA100-A-45-D40-9 (DAVIT AT 350)
 2-ONEWAY SIGNALS OVERHEAD AT 0' AND 11'
 TYPE 10B POLE MOUNTED AT 0
 TYPE 10B POLE MOUNTED AT 270
 2-PEDESTRIAN PUSH BUTTONS AND SIGNS LUMINAIRE - 200 WATT HPS
 ONEWAY EVP DETECTOR AND CONFIRMATORY LIGHT PHASE 3 AND 8
 EXTEND TO HH 3
 3" RSC
 2-12/C#12
 2-3/C#12
 1-3/C#20
 1-3/C#12 (LUM)
 (A) EQUIPMENT PAD (SEE DETAIL) CONTROLLER AND CABINET SERVICE CABINET (SEE DETAIL) CONTROLLER CABINET TO HH 1
 4" RSC
 4-12/C#12
 5-3/C#12
 9-2/C#14
 2-3/C#14
 1-6PR#19
 F&I - 1-7/16" GROUND BRAID TO GROUND ROD
 1-3/C#14 (CAMERA POWER)
 1-COM CABLE
 1-COAXIAL CABLE
 CONTROLLER CABINET TO HH 14
 4" RSC
 4-12/C#12
 5-3/C#12
 9-2/C#14
 2-3/C#14
 1-6PR#19
 STUB OUT THREAD AND CAP
 3" RSC
 SERVICE CABINET TO CONTROLLER CABINET
 11/2" RSC
 2-1/C#6
 1-1/C#6 INS GR
 SERVICE CABINET TO HH 14
 2" RSC
 4-3/C#12 (LUM)

SIGNAL HEAD INDICATIONS						
FACE	R LED	Y	G	RLTA LED	YLTA	GLTA
1-1					←	←
1-2					←	←
2-1	●	●	●			
2-2	●	●	●			
2-3	●	●	●			
3-1				←	←	←
3-2				←	←	←
4-1	●	●	●			
4-2	●	●	●			
5-1				←	←	←
5-2				←	←	←
6-1	●	●	●			
6-2	●	●	●			
6-3	●	●	●			
7-1				←	←	←
7-2				←	←	←
8-1	●	●	●			
8-2	●	●	●			

③ S.O.P. WOOD POLE AND TRANSFORMER
 2" RSC TO SERVICE CABINET
 3-1/C#0



④ PA100 POLE FOUNDATION
 TYPE PA100-A-55-D40-9 (DAVIT AT 350)
 2-ONEWAY SIGNALS OVERHEAD AT 0' AND 11'
 TYPE 10B POLE MOUNTED AT 0
 TYPE 10B POLE MOUNTED AT 270
 2-PEDESTRIAN PUSH BUTTONS AND SIGNS LUMINAIRE - 200 WATT HPS
 ONEWAY EVP DETECTOR AND CONFIRMATORY LIGHT PHASE 4 AND 7
 EXTEND TO HH 10
 3" RSC
 2-12/C#12
 2-3/C#12
 1-3/C#20
 1-3/C#12 (LUM)
 4" RSC
 2-12/C#12
 3-3/C#12
 2-3/C#20
 2-3/C#12 (LUM)
 7-2/C#14
 4" RSC
 2-12/C#12
 3-3/C#12
 1-3/C#20
 1-3/C#12 (LUM)
 5-2/C#14

SIGNAL SYSTEM OPERATION

- THE SIGNAL SYSTEM FLASH MODE IS ALL RED.
- NORMAL OPERATION IS 8 PHASE, WITH PHASES 1, 3, 5 AND 7 BEING PROTECTED LEFT TURN PHASES.
- PHASE 2 AND 6 SHALL BE ON VEHICLE RECALL.

③ PA100 POLE FOUNDATION
 TYPE PA100-A-55-D40-9 (DAVIT AT 350)
 1-SIGN TYPE R6-1L (ONEWAY)
 1-SIGN TYPE R6-1R (ONEWAY)
 3-ONEWAY SIGNALS OVERHEAD AT 0', 11' AND 23'
 TYPE 10B POLE MOUNTED AT 270
 TYPE 10B POLE MOUNTED AT 0
 2-PEDESTRIAN PUSH BUTTONS AND SIGNS LUMINAIRE - 200 WATT HPS
 ONEWAY EVP DETECTOR AND CONFIRMATORY LIGHT PHASES 2 AND 5
 EXTEND TO HH 8
 3" RSC
 2-12/C#12
 3-3/C#12
 1-3/C#20
 1-3/C#12 (LUM)

REVISE SIGNAL SYSTEM NOTES:

1. INSTALL VIDEO CAMERA ON POLE NO. 1.
2. ALL ITEMS ARE INPLACE UNLESS BOLDED AND NOTED AS FURNISH AND INSTALL OR REMOVE.
3. THE CAMERA EXTENSION SHALL BE GROUNDED IN HH 1 WITH A 5/8" X 15' GROUND ROD.

REVISE SIGNAL SYSTEM

A VIDEO CAMERA SHALL BE PLACED ON POLE NO. 1. THE EXISTING LUMINAIRE EXTENSION SHALL BE REMOVED & REPLACED WITH A COMBINATION LUMINAIRE/CAMERA EXTENSION & CABLES SHALL BE ROUTED THROUGH THE SIGNAL SYSTEM TO THE SIGNAL CONTROL CABINET.

DISTRICT #: METRO

PLOT NAME: layout

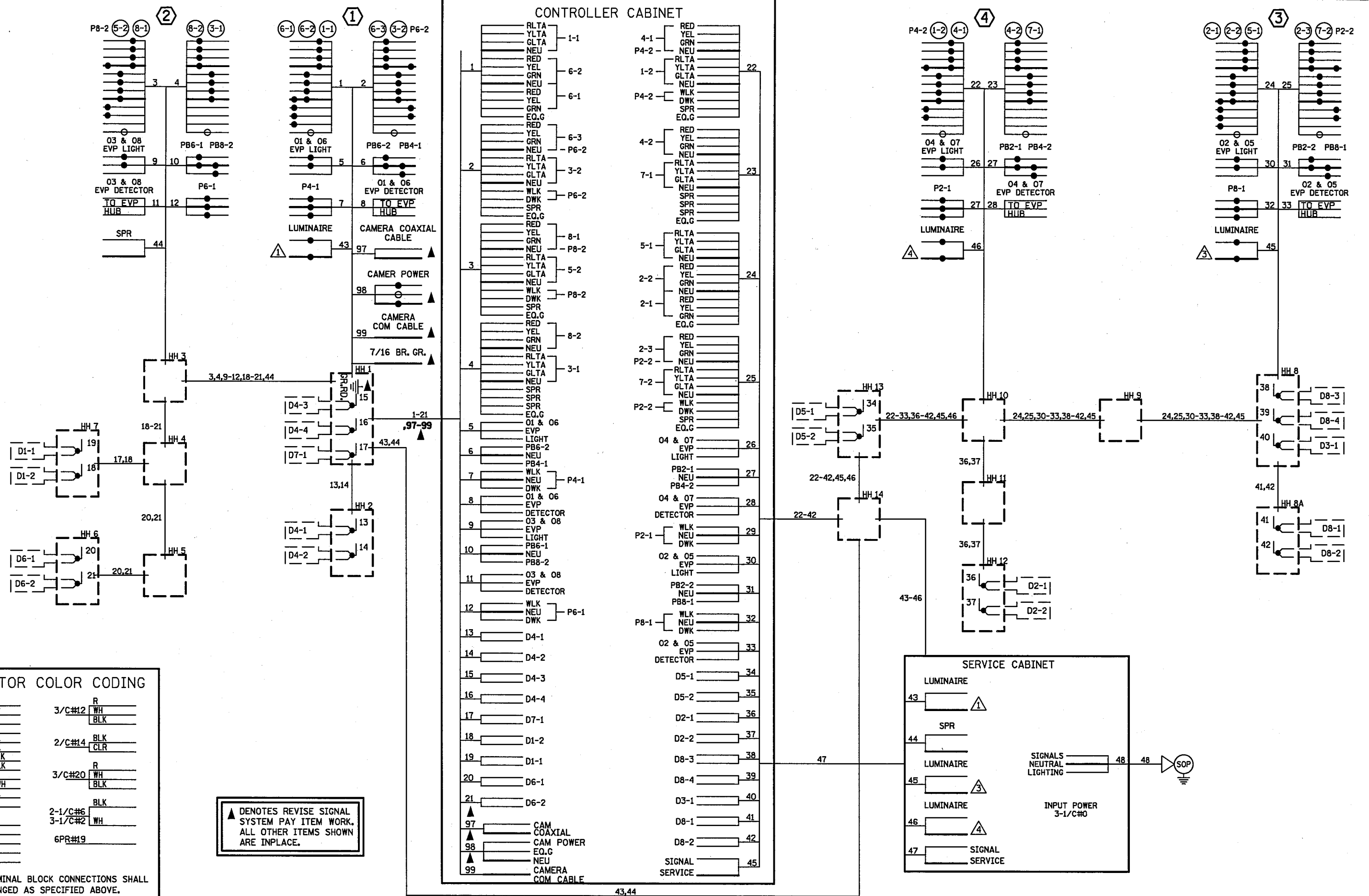
PATH & FILENAME: IP_PWP-d1755016T22248A_SGL.dgn

BY	DATE	REVISIONS	SYSTEM ID: 22248	T.E.	S.A.P. NO.	DRAWN BY: BAM	CKD BY: CDB	DATE: 4/19/16
			METER ADDRESS:		CERTIFIED BY: <i>Michael P. Selinsky</i>			LIC. NO. 19863
			MASTER ID:	T.E.	STATE PROJ. NO. 8825-519		SHEET NO. SS40 OF SS55 SHEETS	

INTERSECTION LAYOUT
 REVISE SIGNAL SYSTEM "N"
 T.H. 13 AT CONNELLY PARKWAY
 IN SAVAGE, SCOTT COUNTY

PLOTTED/REVISED: 5/2/2016

DISTRICT #: METRO
PLOT NAME: T22248A_SGL1
PATH & FILENAME: IP_PWP-df755016T22248A_SGL.dgn



CONDUCTOR COLOR CODING

R	3/C#12	R
O		WH
BL		BLK
WH	2/C#14	BLK
R/BLK		CLR
O/BLK		
BL/BLK	3/C#20	R
WH/BLK		WH
BLK		BLK
BLK/WH	2-1/C#6	BLK
G/BLK	3-1/C#2	WH
G		
R	5/C#12	6PR#19
O		
BL		
WH		
G		

▲ DENOTES REVISE SIGNAL SYSTEM PAY ITEM WORK. ALL OTHER ITEMS SHOWN ARE INPLACE.

NOTE: ALL TERMINAL BLOCK CONNECTIONS SHALL BE ARRANGED AS SPECIFIED ABOVE.

BY	DATE	REVISIONS	SYSTEM ID: 22248	T.E.	S.A.P. NO.	DRAWN BY: BAM	CKD BY: CDB	DATE: 4/19/16
			METER ADDRESS:		CERTIFIED BY: <i>Michael P. Libinsky</i>	LIC. NO. 19863	DATE: 4/19/16	
			MASTER ID:	T.E.	STATE PROJ. NO. 8825-519	SHEET NO. SS41 OF SS55 SHEETS		

WIRING DIAGRAM
REVISE SIGNAL SYSTEM "N"
T.H. 13 AT CONNELLY PARKWAY
IN SAVAGE, SCOTT COUNTY

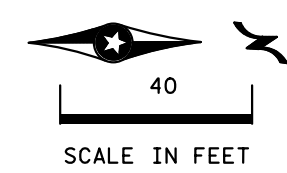
PLOTTED/REVISED: 12/17/2012

DISTRICT #: METRO
IPLOT NAME: layout
PATH & FILENAME: IP_PWP-d078032NT22248LWR_sq.dgn

PVC LOOP DETECTORS		
NUMBER	SIZE	LOCATION
D1-1	6X6	40'
D1-2	6X6	10'
D2-1	6X6	394'
D2-2	6X6	394'
D3-1	2-6X6	10' & 40'
D4-1	6X6	131
D4-2	6X6	131
D4-3	2-6X6	5' & 20'
D4-4	2-6X6	5' & 20'
D5-1	6X6	40'
D5-2	6X6	10'
D6-1	6X6	394'
D6-2	6X6	394'
D7-1	2-6X6	10' & 40'
D8-1	6X6	131'
D8-2	6X6	131'
D8-3	2-6X6	5' & 20'
D8-4	2-6X6	5' & 20'

(A) EQUIPMENT PAD (SEE DETAIL)
CONTROLLER AND CABINET
SERVICE CABINET (SEE DETAIL)
CONTROLLER CABINET TO HH 1
4" RSC
4-12/C#12
5-3/C#12
9-2/C#14
2-3/C#20
1-6PR#19
CONTROLLER CABINET TO HH 14
4" RSC
4-12/C#12
5-3/C#12
9-2/C#14
2-3/C#20
1-6PR#19

STUB OUT THREAD AND CAP
3" RSC
SERVICE CABINET TO CONTROLLER CABINET
11/2" RSC
2-1/C#6
1-1/C#6 INS GR
SERVICE CABINET TO HH 14
2" RSC
4-3/C#12 (LUM)

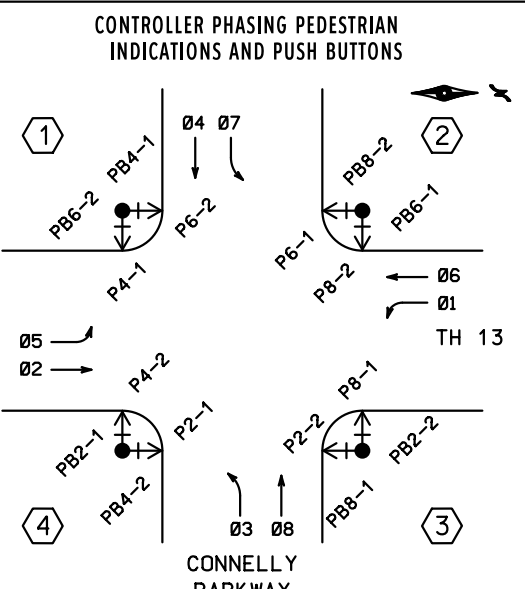
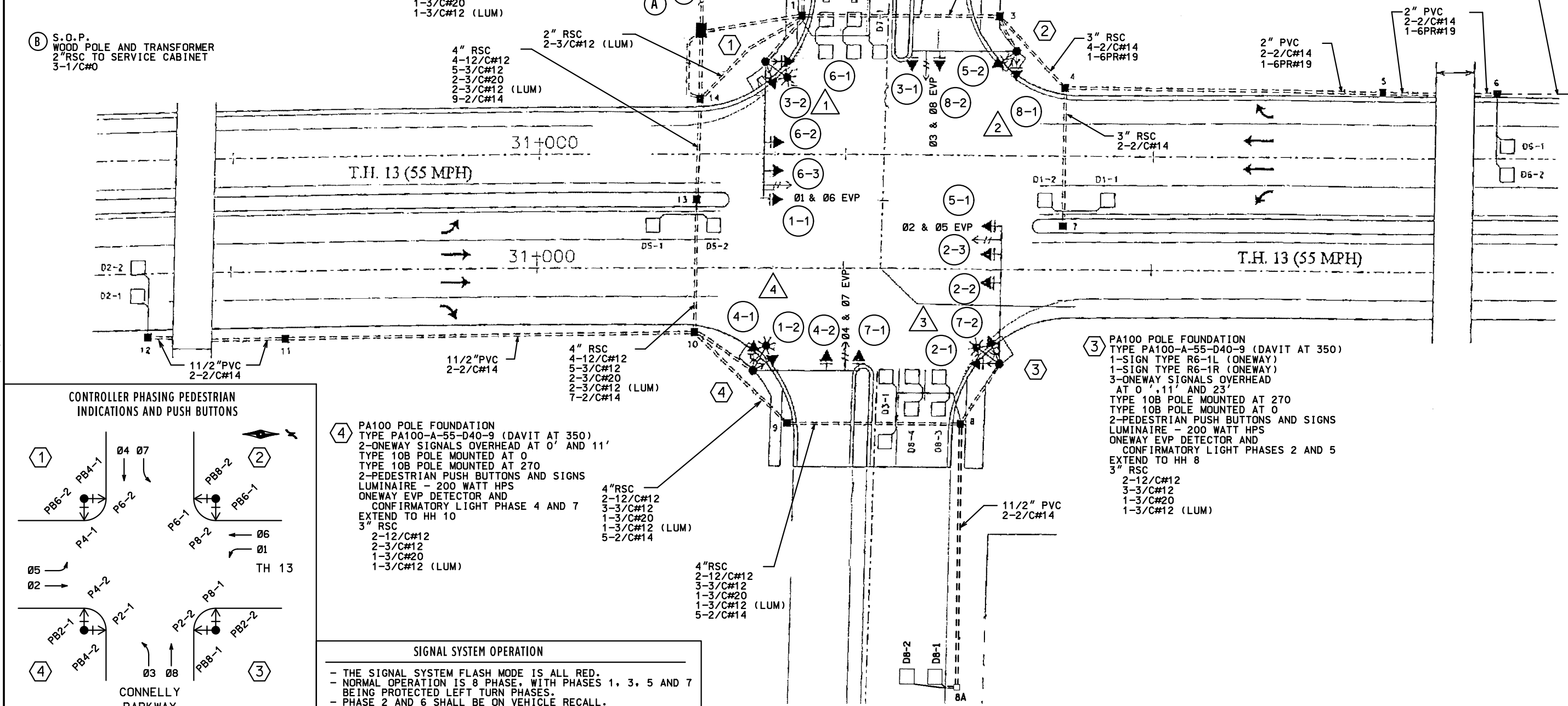


SIGNAL HEAD INDICATIONS							
FACE	R LED	Y	G	RLTA LED	YLTA	GLTA	
1-1				←	←	←	
1-2				←	←	←	
2-1	●	●	●				
2-2	●	●	●				
2-3	●	●	●				
3-1				←	←	←	
3-2				←	←	←	
4-1	●	●	●				
4-2	●	●	●				
5-1				←	←	←	
5-2				←	←	←	
6-1	●	●	●				
6-2	●	●	●				
6-3	●	●	●				
7-1				←	←	←	
7-2				←	←	←	
8-1	●	●	●				
8-2	●	●	●				

(1) PA100 POLE FOUNDATION
TYPE PA100-A-55-D40-9 (DAVIT AT 350)
1-SIGN TYPE R6-1L (ONEWAY)
1-SIGN TYPE R6-1R (ONEWAY)
3-ONEWAY SIGNALS OVERHEAD
AT 0', 11' AND 23'
TYPE 10B POLE MOUNTED AT 270
TYPE 10B POLE MOUNTED AT 0
2-PEDESTRIAN PUSH BUTTONS AND SIGNS
LUMINAIRE - 200 WATT HPS
ONEWAY EVP DETECTOR AND
CONFIRMATORY LIGHT PHASES 1 AND 6
EXTEND TO HH 1
3" RSC
2-12/C#12
3-3/C#12
1-3/C#20
1-3/C#12 (LUM)

(2) PA100 POLE FOUNDATION
TYPE PA100-A-45-D40-9 (DAVIT AT 350)
2-ONEWAY SIGNALS OVERHEAD AT 0' AND 11'
TYPE 10B POLE MOUNTED AT 0
TYPE 10B POLE MOUNTED AT 270
2-PEDESTRIAN PUSH BUTTONS AND SIGNS
LUMINAIRE - 200 WATT HPS
ONEWAY EVP DETECTOR
AND CONFIRMATORY LIGHT PHASE 3 AND 8
EXTEND TO HH 3
3" RSC
2-12/C#12
2-3/C#12
1-3/C#20
1-3/C#12 (LUM)

(B) S.O.P.
WOOD POLE AND TRANSFORMER
2" RSC TO SERVICE CABINET
3-1/C#0



(4) PA100 POLE FOUNDATION
TYPE PA100-A-55-D40-9 (DAVIT AT 350)
2-ONEWAY SIGNALS OVERHEAD AT 0' AND 11'
TYPE 10B POLE MOUNTED AT 0
TYPE 10B POLE MOUNTED AT 270
2-PEDESTRIAN PUSH BUTTONS AND SIGNS
LUMINAIRE - 200 WATT HPS
ONEWAY EVP DETECTOR AND
CONFIRMATORY LIGHT PHASE 4 AND 7
EXTEND TO HH 10
3" RSC
2-12/C#12
2-3/C#12
1-3/C#20
1-3/C#12 (LUM)

(3) PA100 POLE FOUNDATION
TYPE PA100-A-55-D40-9 (DAVIT AT 350)
1-SIGN TYPE R6-1L (ONEWAY)
1-SIGN TYPE R6-1R (ONEWAY)
3-ONEWAY SIGNALS OVERHEAD
AT 0', 11' AND 23'
TYPE 10B POLE MOUNTED AT 270
TYPE 10B POLE MOUNTED AT 0
2-PEDESTRIAN PUSH BUTTONS AND SIGNS
LUMINAIRE - 200 WATT HPS
ONEWAY EVP DETECTOR AND
CONFIRMATORY LIGHT PHASES 2 AND 5
EXTEND TO HH 8
3" RSC
2-12/C#12
3-3/C#12
1-3/C#20
1-3/C#12 (LUM)

SIGNAL SYSTEM OPERATION

- THE SIGNAL SYSTEM FLASH MODE IS ALL RED.
- NORMAL OPERATION IS 8 PHASE, WITH PHASES 1, 3, 5 AND 7 BEING PROTECTED LEFT TURN PHASES.
- PHASE 2 AND 6 SHALL BE ON VEHICLE RECALL.

BY	DATE	REVISIONS
SJK	12-10-12	CLEANED UP PRINT

SYSTEM ID: 22248
METER ADDRESS:
MASTER ID:

T.E.
T.E.

INTERSECTION LAYOUT
TH 13 AT CONNELLY PARKWAY
IN SAVAGE, SCOTT COUNTY

S.A.P. NO. _____
DRAWN BY: _____ CKD BY: _____ DATE: _____
CERTIFIED BY: _____ LIC. NO. _____ DATE: _____
STATE PROJ. NO. (T.H.13) SHEET NO. 1 OF 2 SHEETS

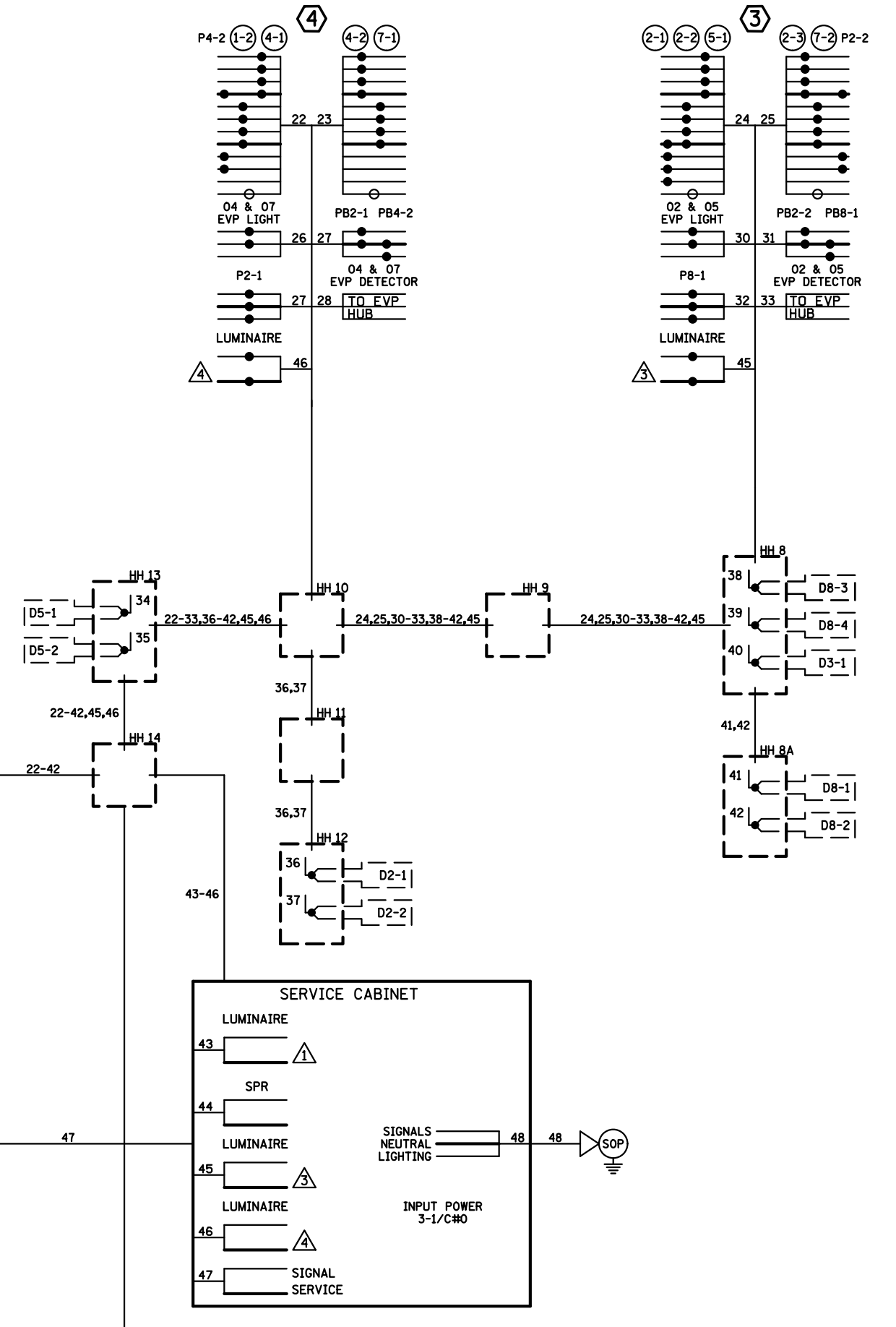
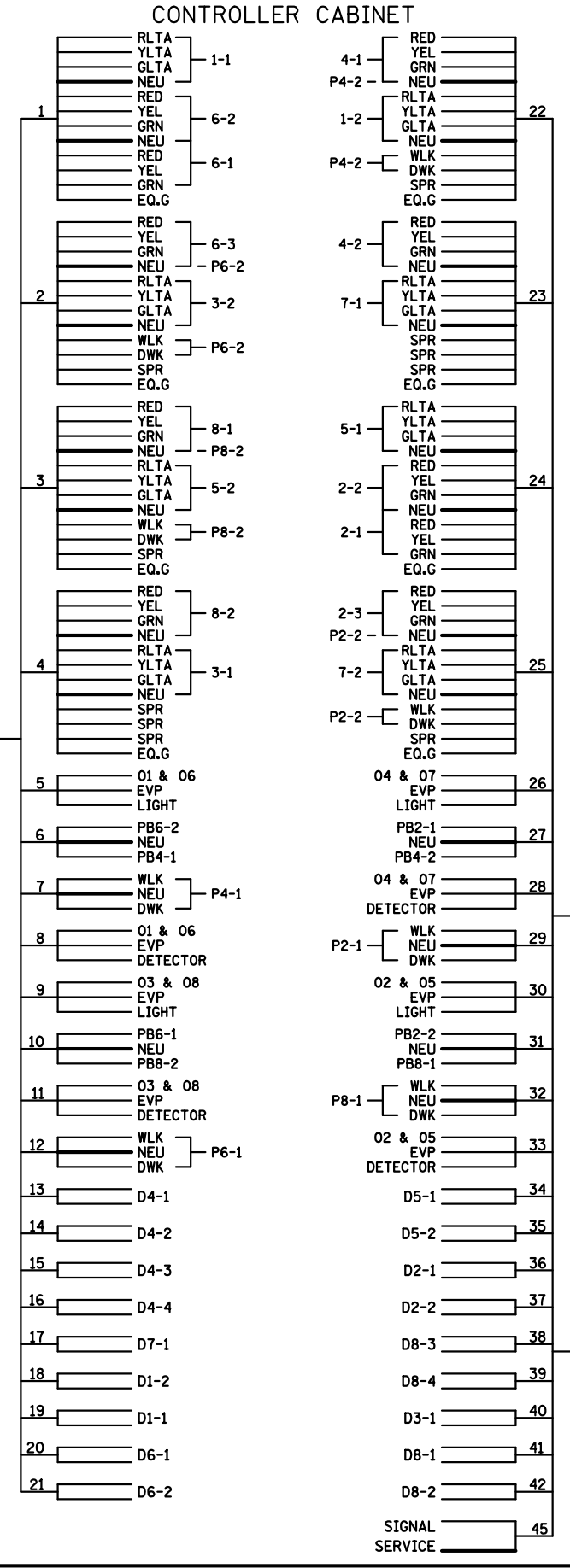
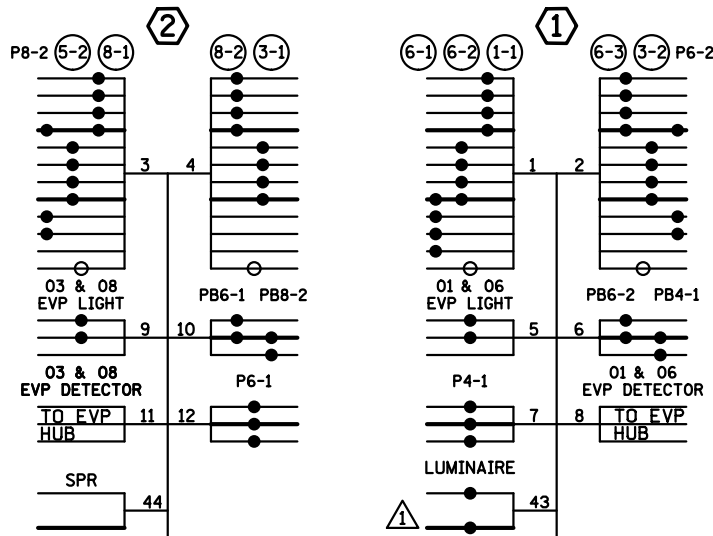
PLOTTED/REVISED: 12/17/2012

DISTRICT #: METRO
 IPLOT NAME: wiring diagram
 PATH & FILENAME: IP_PWP-d078032NT22248LWR_sq.dgn

CONDUCTOR COLOR CODING

R	3/C#12	R
O		WH
BL		BLK
WH	2/C#14	BLK
R/BLK		CLR
O/BLK	3/C#20	R
BL/BLK		WH
WH/BLK		BLK
BLK	2-1/C#6	BLK
BLK/WH	3-1/C#2	WH
G/BLK		
G		
R	5/C#12	6PR#19
O		
BL		
WH		
G		

NOTE: ALL TERMINAL BLOCK CONNECTIONS SHALL BE ARRANGED AS SPECIFIED ABOVE.



BY	DATE	REVISIONS
SJK	12-10-12	CLEANED UP PRINT

SYSTEM ID: 22248	T.E.
METER ADDRESS:	
MASTER ID:	T.E.

WIRING DIAGRAM
 TH 13 AT CONNELLY PARKWAY
 IN SAVAGE, SCOTT COUNTY

S.A.P. NO.	DRAWN BY:	CKD BY:	DATE:
CERTIFIED BY _____	LIC. NO. _____	DATE: _____	
STATE PROJ. NO.	(T.H.13)	SHEET NO.	2 OF 2 SHEETS