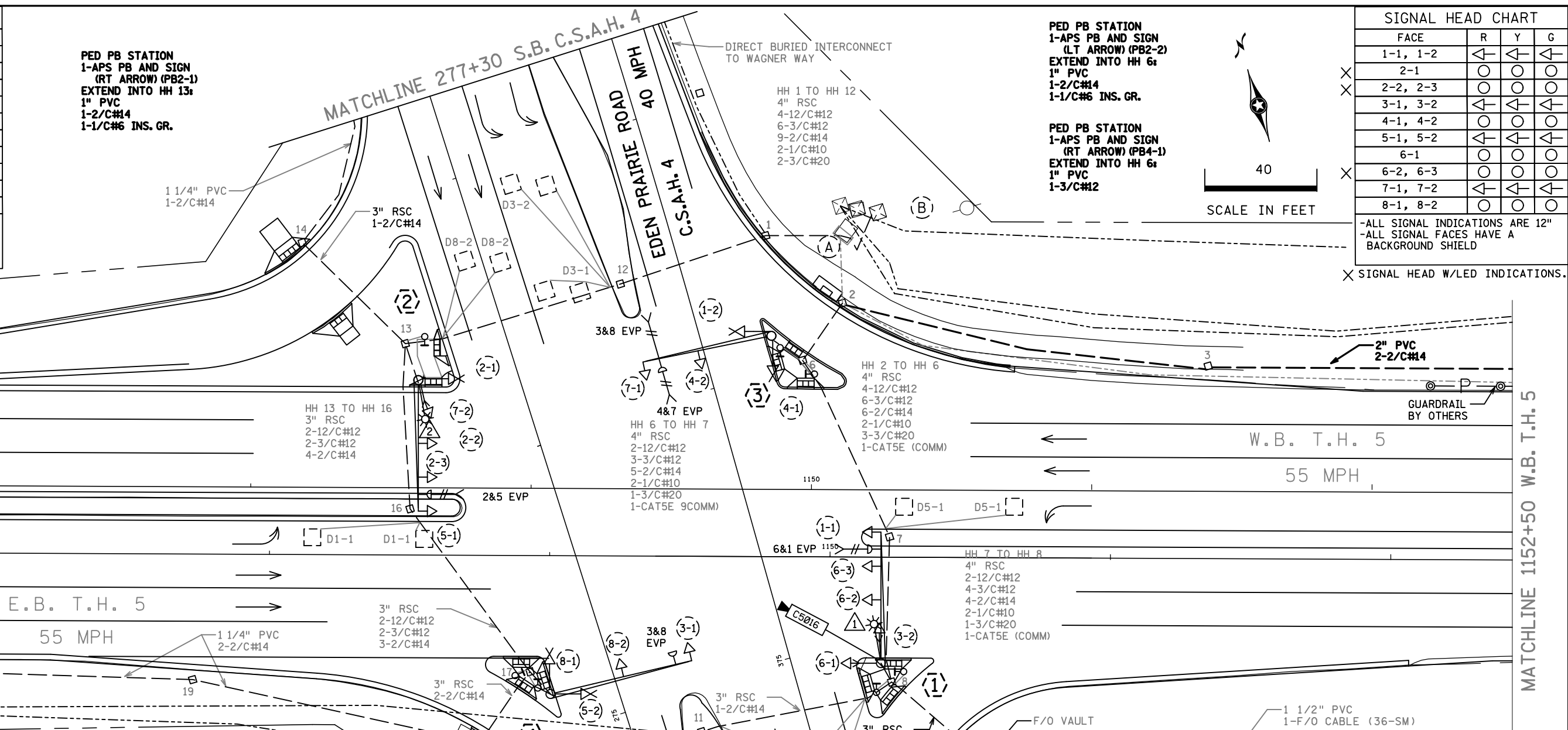


DISTRICT #: Metro
 IPLOT NAME: layout
 PATH & FILENAME: Projects\DM_R05\005\0000\Traffic\Signals\481\TH5 @ (4) EDEN PRAIRIE RD 1734974\1734974_spl.dgn PLOTTED/REVISED: 12-JUN-2023

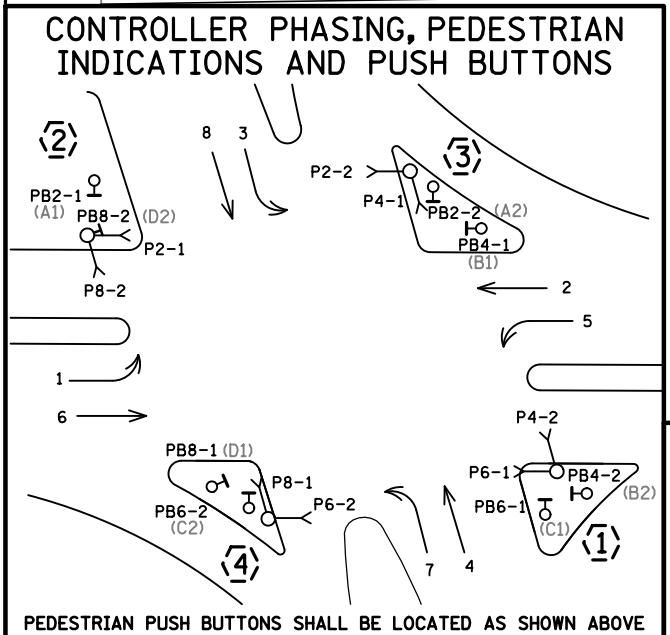
LOOP DETECTOR CHART		
NUMBER	SIZE (FT)	LOCATION
D1-1	2-6X6	15 & 55
D2-1,D2-2	6X6	420
D3-1,D3-2	2-6X6	15 & 55
D4-1	2-6X6	225
D4-2	2-6X6	25
D5-1	2-6X6	15 & 55
D6-1,D6-2	6X6	420
D7-1	2-6X6	15 & 55
D8-1	2-6X6	225
D8-2	2-6X6	25

-ALL LOOP DETECTORS ARE PVC
 -LOCATION: DISTANCE FROM CROSSWALK/STOP BAR IN FEET



SIGNAL HEAD CHART			
FACE	R	Y	G
1-1, 1-2	←	←	←
2-1	○	○	○
2-2, 2-3	○	○	○
3-1, 3-2	←	←	←
4-1, 4-2	○	○	○
5-1, 5-2	←	←	←
6-1	○	○	○
6-2, 6-3	○	○	○
7-1, 7-2	←	←	←
8-1, 8-2	○	○	○

-ALL SIGNAL INDICATIONS ARE 12"
 -ALL SIGNAL FACES HAVE A BACKGROUND SHIELD



SIGNAL SYSTEM OPERATION

THE SIGNAL SYSTEM FLASH MODE IS ALL RED.

NORMAL OPERATION IS 8 PHASE, WITH PHASES 1, 3, 5 AND 7 BEING PROTECTED LEFT TURN PHASES

PHASES 2 AND 6 SHALL BE ON VEHICLE RECALL.

BY: EJA	DATE: 03-04-15	REVISIONS: AS-BUILT OF SP 2701-49 AND CORRECTION TO WIRE SIZES	SYSTEM ID: 1734974	T.E.	S.A.P. NO.	DRAWN BY: MAS	CKD BY: GAK	DATE: 12/8/14
SJK	06/12/23	PTZ CAMERA UPGRADE - SP 8825-890	METER ADDRESS:		CERTIFIED BY: _____	LIC. NO. _____	DATE: 12/18/14	
			MASTER ID:	T.E.	STATE PROJ. NO. (T.H.5)			SHEET NO. 1 OF 4 SHEETS

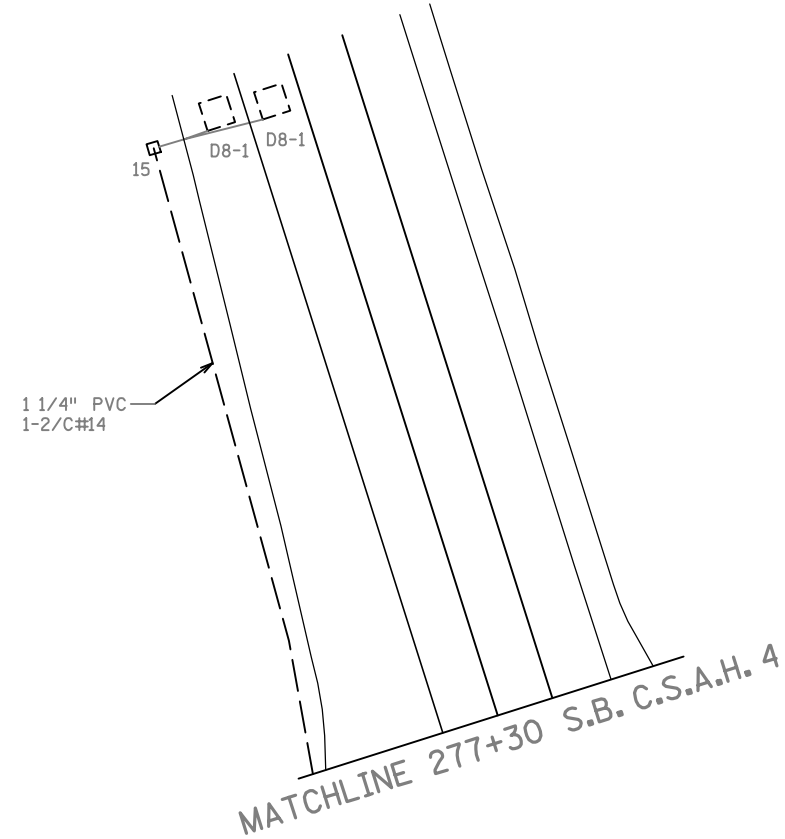
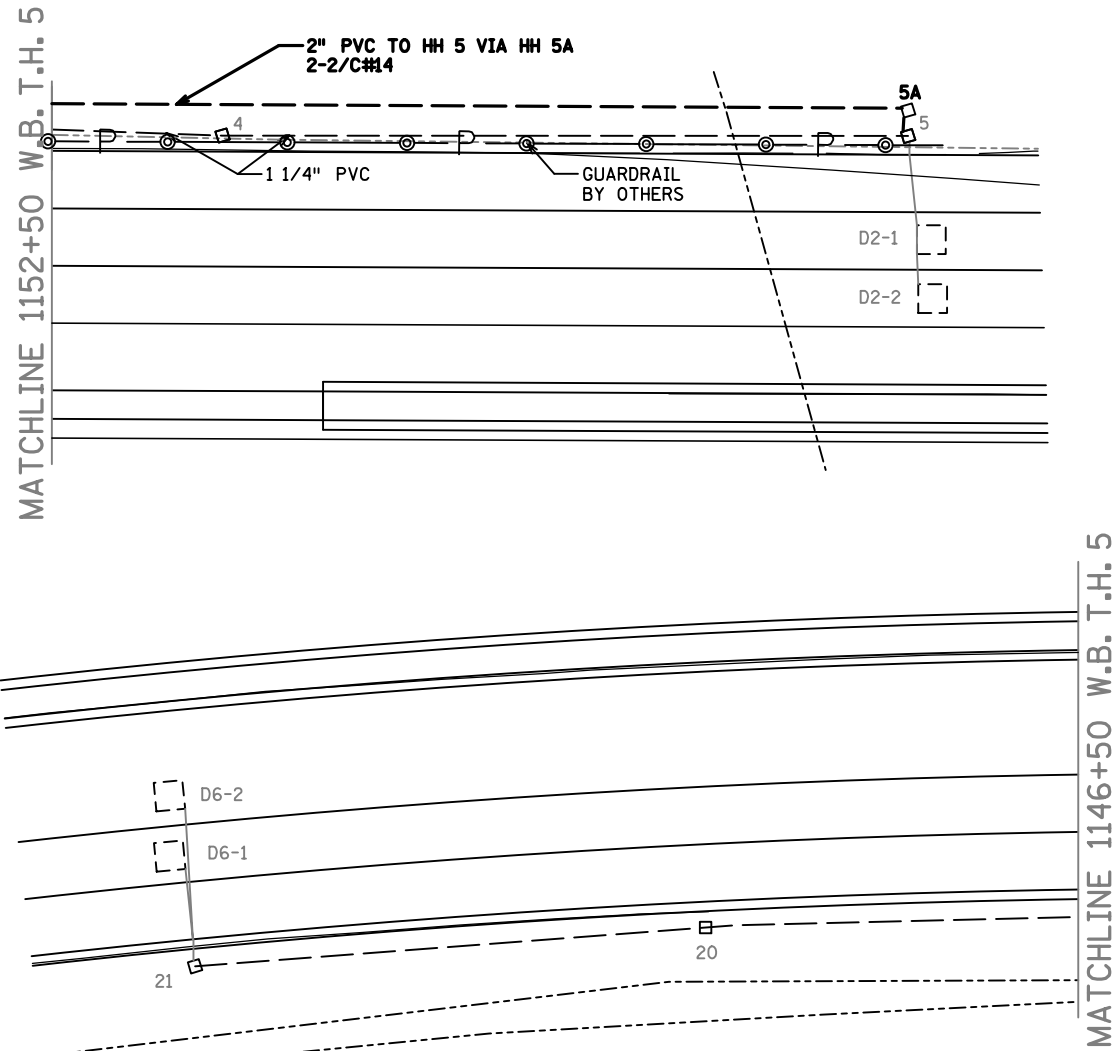
DISTRICT #: Metro
 IPLOT NAME: match lines
 PATH & FILENAME: Projects\DM罗斯\005\0000\Traffic\Signals\481\TH5 @ (4) EDEN PRAIRIE RD 1734974\1734974_spl.dgn PLOTTED/REVISED: 12-JUN-2023

- ① TYPE A100-A-45-X6-350/CAM 400(AT 355 DEG)
 LUMINAIRE-250 WATT HPS
 1-PTZ CAMERA (C5016)
 3-ONE WAY SIGNALS OVERHEAD AT 0', 11' AND 23'
 ONE WAY EVP DETECTOR AND CONFIRMATORY LIGHT(PHASES 6&1)
 2-TYPE 10B AT 0 AND 270 DEG
 2-CD PED HEADS
 3" RSC TO HH 8 WITH:
 2-12/C#12
 2-3/C#12
 1-3/C#20
 2-1/C#10(LUM)
 1-7/16" GROUNDING BRAID TO GROUND ROD IN HH 8
 1-CAT5E (COMM)

- ② TYPE A100-A-45-D40-9 (DAVIT AT 355 DEG)
 LUMINAIRE-250 HPS
 3-ONE WAY SIGNALS OVERHEAD AT 0', 11' AND 23'
 ONE WAY EVP DETECTOR AND CONFIRMATORY LIGHT(PHASES 2&5)
 2-TYPE 10B AT 0 AND 270 DEG
 2-CD PED HEADS
 1-APS PB AND SIGN (LT ARROW)(PB8-2)
 WITH ADAPTOR BRACKET
 3" RSC INTO HH 13 WITH:
 2-12/C#12
 3-3/C#12
 1-3/C#20
 2-1/C#10

- ③ TYPE A100-A-45
 2-ONE WAY SIGNALS OVERHEAD AT 0' AND 20'
 2-ONE WAY EVP DETECTORS (PHASES 3&8,4&7)
 ONE CONFIRMATORY LIGHT (PHASES 4&7)
 2-TYPE 10B AT 0 AND 270 DEG
 2-CD PED HEADS
 3" RSC INTO HH 6 WITH:
 2-12/C#12
 2-3/C#12
 1-3/C#20

- ④ TYPE A100-A-50
 2-ONE WAY SIGNALS OVERHEAD AT 0' AND 25'
 ONE WAY EVP CONFIRMATORY LIGHT(PHASES 3&8)
 2-TYPE 10B AT 0 AND 270 DEG
 2-CD PED HEADS
 3" RSC INTO HH 17 WITH:
 2-12/C#12
 1-3/C#12
 1-3/C#20



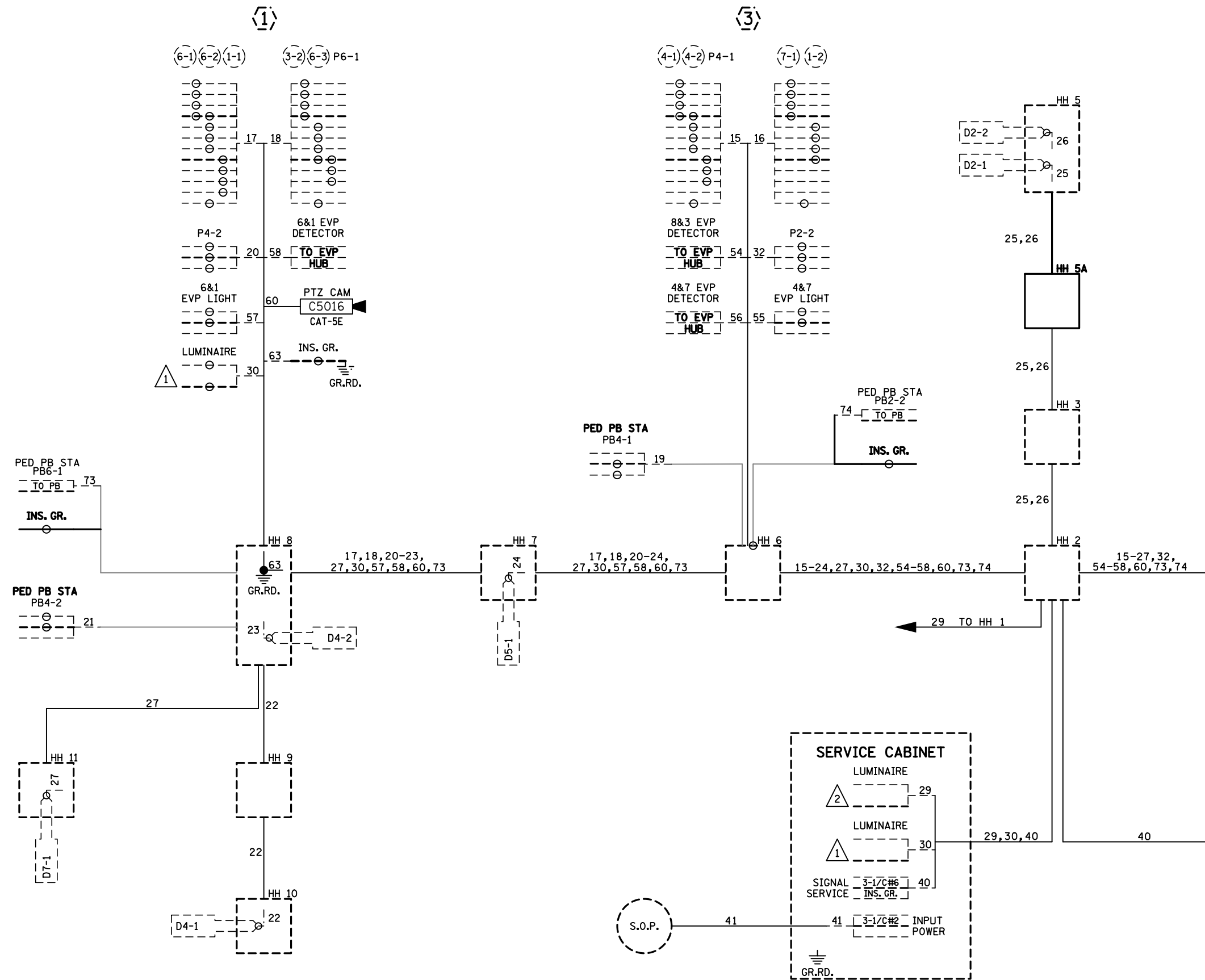
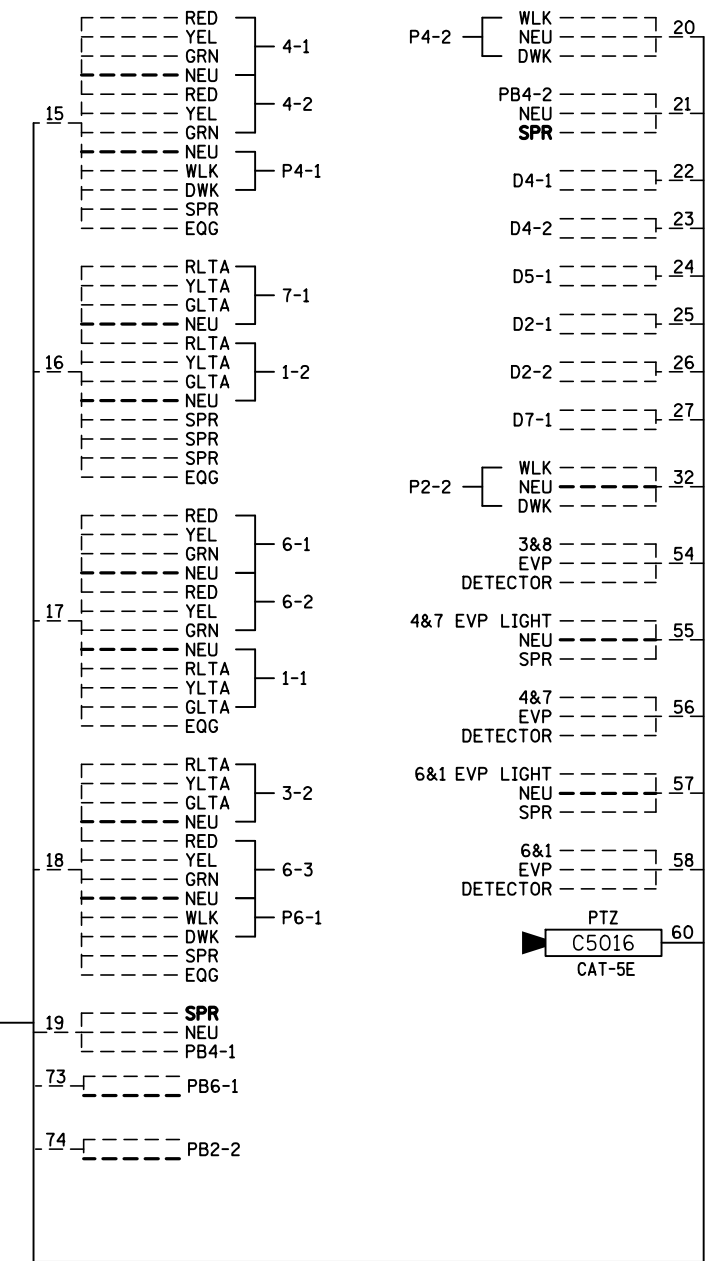
- Ⓐ PAD, CABINET AND CONTROLLER
 4" RSC TO HH 2 4" RSC TO HH 1
 4-12/C#12 4-12/C#12
 6-3/C#12 6-3/C#12
 8-2/C#14 9-2/C#14
 3-3/C#20 2-3/C#20
 2-1/C#6
 1-1/C#6 BR. GR.
 1-CAT5E (COMM)
 3" RSC STUBBED OUT AND CAPPED

- Ⓑ SOP 25' WOOD POLE CL 2
 SERVICE EQUIPMENT
 1 1/4" RSC TO HH 2 WITH :
 2-1/C#6
 1-1/C#6 BR. GR.
 4-1/C#10

BY	DATE	REVISIONS	SYSTEM ID: 1734974 T.E.	S.A.P. NO.	DRAWN BY: MAS	CKD BY: GAK	DATE: 12/8/14
SJK	06/12/23	PTZ CAMERA UPGRADE	METER ADDRESS:	CERTIFIED BY _____	LIC. NO. _____	DATE: 12/18/14	
			MASTER ID: T.E.	POLE NOTES AND MATCHLINES T.H. 5 AT (4) EDEN PRAIRIE ROAD IN EDEN PRAIRIE, HENNEPIN COUNTY			
				STATE PROJ. NO.	(T.H.5)	SHEET NO.	2 OF 4 SHEETS

DISTRICT #: Metro
 IPLOT NAME: wire 1
 PATH & FILENAME: Projects\DM_POS\005\0000\Traffic\Signals\481\TH5 @ (4) EDEN PRAIRIE RD 1734974\1734974_spl.dgn PLOTTED/REVISED: 12-JUN-2023

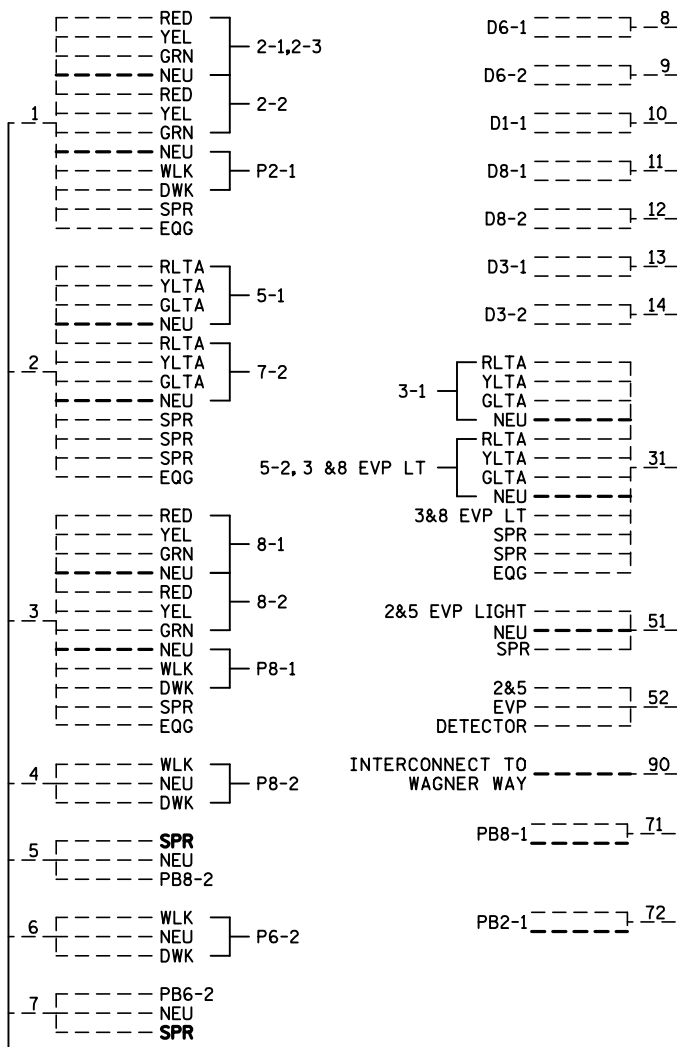
CONTROLLER CABINET



BY	DATE	REVISIONS	SYSTEM ID: 1734974 T.E.	S.A.P. NO.	DRAWN BY: MAS	CKD BY: GAK	DATE: 12/8/14
EJA	03-04-15	AS-BUILT OF SP 2701-49 AND CORRECTION TO WIRE SIZES	METER ADDRESS:	CERTIFIED BY _____ LIC. NO. _____ DATE: 12/18/14			
SJK	06/12/23	PTZ CAMERA UPGRADE	MASTER ID:	STATE PROJ. NO. (T.H.5) SHEET NO. 3 OF 4 SHEETS			

DISTRICT #: Metro
 IPLOT NAME: wire 2
 PATH & FILENAME: Projects\DM_POS\005\0000\Traffic\Signals\481\TH5 @ (4) EDEN PRAIRIE RD 1734974\1734974_spl.dgn PLOTTED/REVISED: 12-JUN-2023

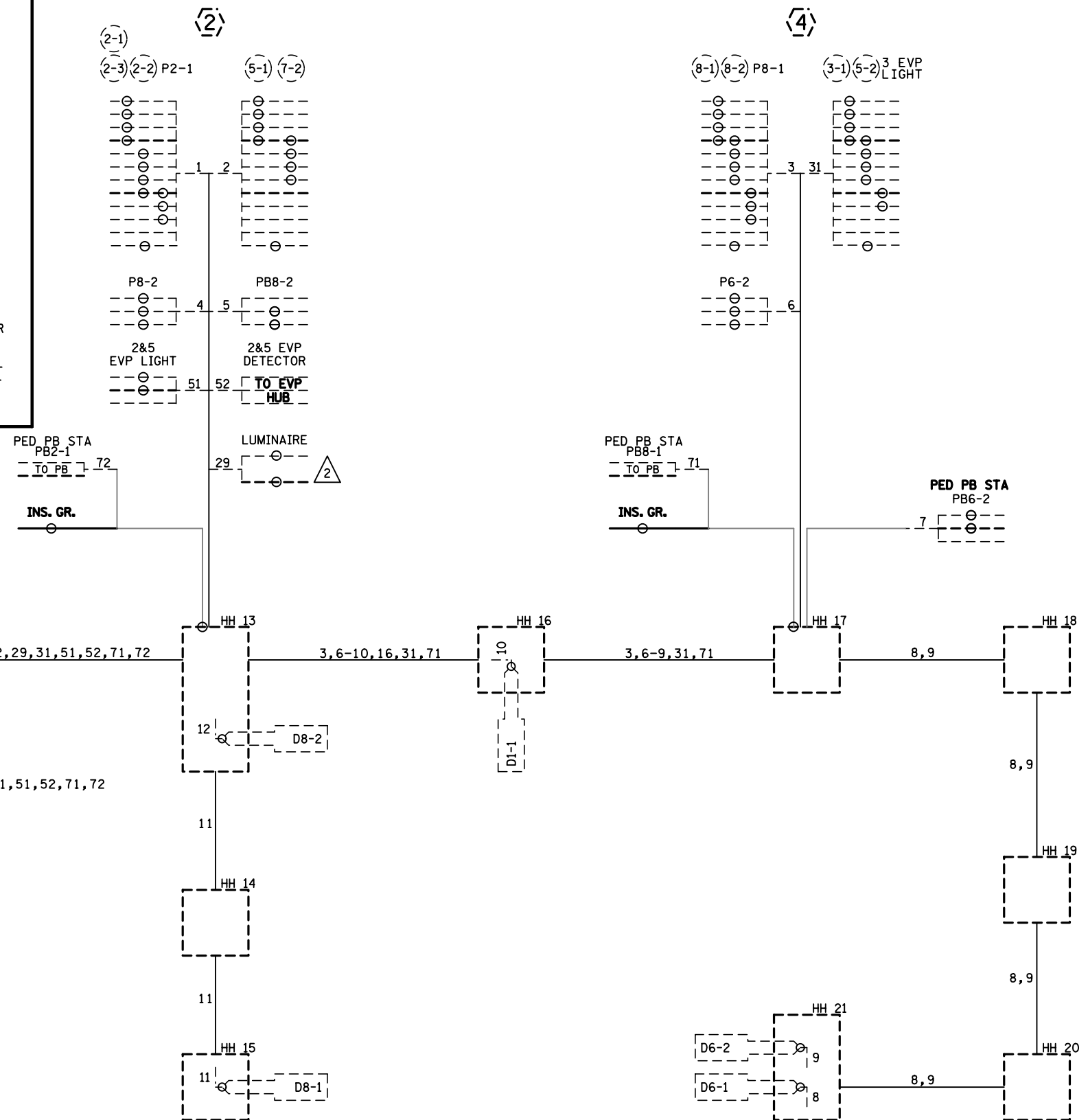
CONTROLLER CABINET



CONDUCTOR COLOR CODE

1/C#6	G
6PR#19	
COXIAL	
CABLE	
(6SM)	
CABLE	
3-1/C#2	R INPUT POWER
	WH
	BLK
3-1/C#6	BLK SIGNAL SERVICE
	WH
	G
3/C#12	R
	WH
	BLK
3/C#14	BLK
	G
	WH
2/C#14	BLK
	WH OR CLR
3/C#20	R OR O
	WH OR YEL
	BLK OR BL

NOTE: ALL POLE CONNECTIONS SHALL BE ARRANGED AS SPECIFIED ABOVE.



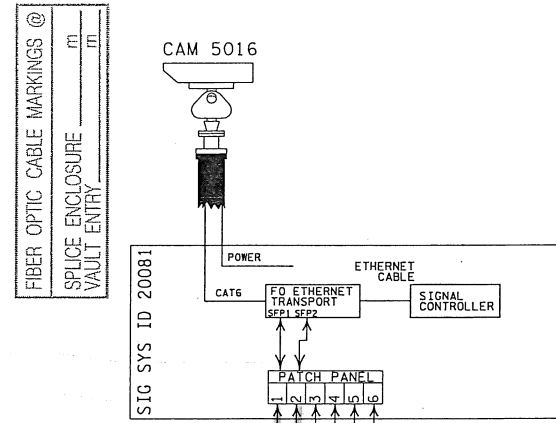
BY	DATE	REVISIONS
EJA	03-04-15	AS-BUILT OF SP 2701-49 AND CORRECTION TO WIRE SIZES
SJK	06/12/23	PTZ CAMERA UPGRADE

SYSTEM ID: 1734974	T.E.
METER ADDRESS:	
MASTER ID:	T.E.

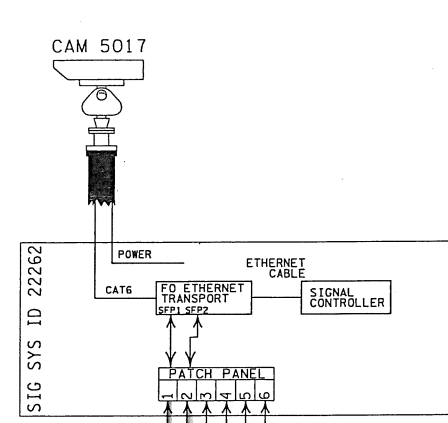
WIRING DIAGRAM (2 OF 2)
T.H. 5 AT (4) EDEN PRAIRIE ROAD
IN EDEN PRAIRIE, HENNEPIN COUNTY

S.A.P. NO.	DRAWN BY: MAS	CKD BY: GAK	DATE: 12/8/14
CERTIFIED BY _____	LIC. NO. _____	DATE: 12/18/14	
STATE PROJ. NO.	(T.H.5)	SHEET NO. 4 OF 4 SHEETS	

SEE SHEET SZ34



TH 5 AT EDEN PRAIRIE
 NE QUAD



TH 5 AT VENTURE LN
 SE QUAD

PIGTAIL ID#:
 CAM1713

PIGTAIL ID#:
 CAM1713

PIGTAIL OTDR
 LENGTH
 km

PIGTAIL OTDR
 LENGTH
 km

TRUNK ID 5.21

TRUNK ID 5.20

- 1
- 2
- 3
- 4
- 5
- 6
- 7
- 8
- 9
- 10
- 11
- 12
- 13
- 14
- 15
- 16
- 17
- 18
- 19
- 20
- 21
- 22
- 23
- 24
- 25
- 26
- 27
- 28
- 29
- 30
- 31
- 32
- 33
- 34
- 35
- 36

- 1
- 2
- 3
- 4
- 5
- 6
- 7
- 8
- 9
- 10
- 11
- 12
- 13
- 14
- 15
- 16
- 17
- 18
- 19
- 20
- 21
- 22
- 23
- 24
- 25
- 26
- 27
- 28
- 29
- 30
- 31
- 32
- 33
- 34
- 35
- 36

SPLICE VAULT ON
 TH 5 APPROX. 700'
 EAST OF EDEN PRAIRIE
 (SOUTH SIDE)

OTDR LENGTH
 km
 TO PANEL

SEE SHEET SZ36

c:\project\ise\pw_work\ing\hansl.sco\dl463633\1002-98\fiber.dgn

REV. NO.	DATE: / /
REV. NO.	DATE: / /

CERTIFIED BY [Signature] LIC.NO. 26530 OCT. 25 2012 STATE PROJ. NO. 1002-98 (TH 5) SHEET NO. SZ35 OF SZ50 SHEETS