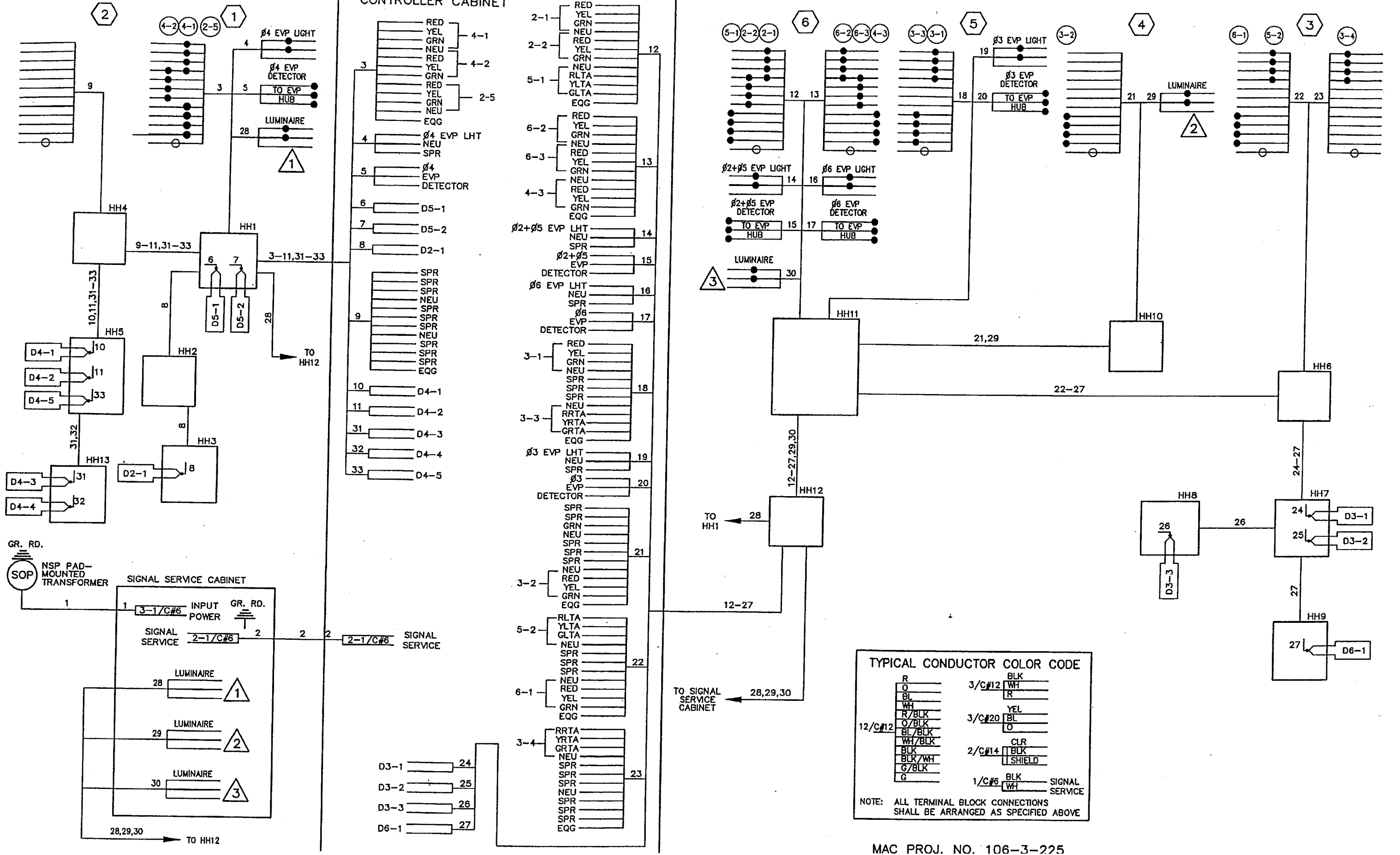




PLOTTED/REVISED: 26-JUL-2018

IPLOT NAME: 122309sgl  
PATH & FILENAME: Projects\DM罗斯005\0000\TrafficSignals\22309V22309sgl.dgn



MAC PROJ. NO. 106-3-225

BY	DATE	REVISIONS	SYSTEM ID: 1736204	T.E.	S.A.P. NO.	DRAWN BY:	CKD BY:	DATE:
J3T	07-26-18	ADD 2-5 SIGNAL HEAD	METER ADDRESS: 5169 POST RD		CERTIFIED BY _____	LIC. NO. _____	DATE: _____	
			MASTER ID: Ext: 22309	T.E.	STATE PROJ. NO. 2732	(T.H.5)	SHEET NO. _____	OF _____ SHEETS