

LOOP DETECTOR CHART		
NUMBER	SIZE (FT)	LOCATION
D1-1, D5-1	2-6x6	20 & 50
D1-2, D5-2	2-6x6	5 & 35
D2-1, D2-2	6x6	300
D4-1	6x6	250
D4-2, D8-2	2-6x6	5 & 10
D4-3, D8-3	2-6x6	5 & 20
D6-1	6x6	475
D8-1	6x6	475

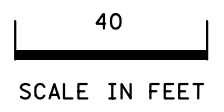
-ALL LOOP DETECTORS ARE PVC
-LOCATION: DISTANCE FROM CROSSWALK/STOP BAR IN FEET

② STA 650+05, 52' LT.
PA100 POLE FOUNDATION
TYPE PA100-A-45-D40-9 (DAVIT AT 350 DEG)
1- PAIR SWING AWAY HINGES
2-ONE-WAY SIGNALS OVERHEAD AT 0' AND 11'
TYPE 10B POLE MOUNTED 0 DEG
TYPE 10B POLE MOUNTED 270 DEG
2-C. D. PED HEADS
1-ONE WAY EVP DETECTOR AND CONFIRMATORY LIGHT (PHASES 1+6)
LUMINAIRE-250W HPS
2-TYPE D SIGNS
EXTEND INTO HH 3:
3" RSC
2-12/C #12
2-3/C #12
1-3/C #12 (LUM)
1-3/C #20

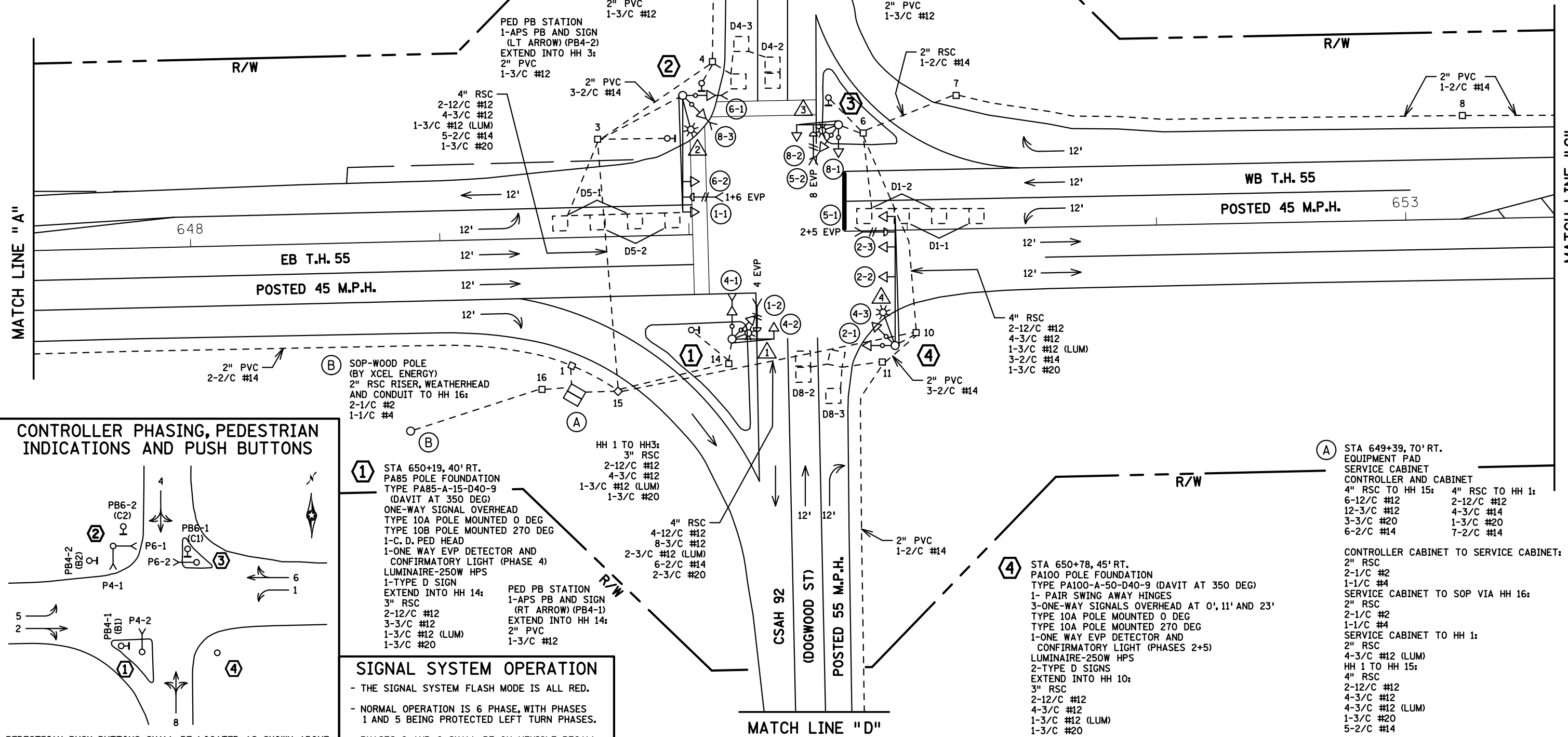
③ STA 650+64, 38' LT.
PA85 POLE FOUNDATION
TYPE PA85-A-15-D40-9
(DAVIT AT 350 DEG)
ONE-WAY SIGNAL OVERHEAD
TYPE 10B POLE MOUNTED 0 DEG
TYPE 10A POLE MOUNTED 270 DEG
1-C. D. PED HEAD
1-ONE WAY EVP DETECTOR AND CONFIRMATORY LIGHT (PHASE 8)
LUMINAIRE-250W HPS
1-TYPE D SIGN
EXTEND INTO HH 6:
3" RSC
2-12/C #12
3-3/C #12
1-3/C #12 (LUM)
1-3/C #20

SIGNAL HEAD CHART				
FACE	R	Y	G	
1-1, 1-2	←	←	←	
2-1, 2-2, 2-3	○	○	○	
4-1, 4-2, 4-3	○	○	○	
5-1, 5-2	←	←	←	
6-1, 6-2	○	○	○	
8-1, 8-2, 8-3	○	○	○	

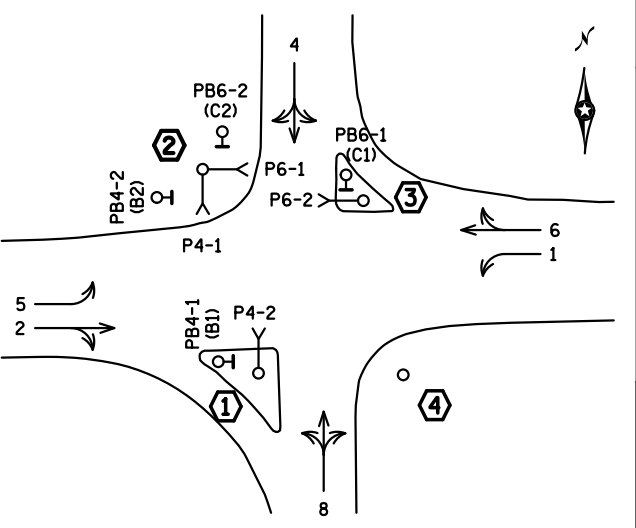
-ALL SIGNAL INDICATIONS ARE 12" LED
-ALL SIGNAL HEADS HAVE BACKGROUND SHIELDS



PLOTTED/REVISED: 11/4/2014



CONTROLLER PHASING, PEDESTRIAN INDICATIONS AND PUSH BUTTONS



① STA 650+19, 40' RT.
PA85 POLE FOUNDATION
TYPE PA85-A-15-D40-9 (DAVIT AT 350 DEG)
ONE-WAY SIGNAL OVERHEAD
TYPE 10A POLE MOUNTED 0 DEG
TYPE 10B POLE MOUNTED 270 DEG
1-C. D. PED HEAD
1-ONE WAY EVP DETECTOR AND CONFIRMATORY LIGHT (PHASE 4)
LUMINAIRE-250W HPS
1-TYPE D SIGN
EXTEND INTO HH 14:
3" RSC
2-12/C #12
3-3/C #12
1-3/C #12 (LUM)
1-3/C #20

HH 1 TO HH3:
3" RSC
2-12/C #12
4-3/C #12
1-3/C #12 (LUM)
1-3/C #20

PED PB STATION
1-APS PB AND SIGN (RT ARROW) (PB4-1)
EXTEND INTO HH 14:
2" PVC
1-3/C #12

SIGNAL SYSTEM OPERATION

- THE SIGNAL SYSTEM FLASH MODE IS ALL RED.
- NORMAL OPERATION IS 6 PHASE, WITH PHASES 1 AND 5 BEING PROTECTED LEFT TURN PHASES.
- PHASES 2 AND 6 SHALL BE ON VEHICLE RECALL.

④ STA 650+78, 45' RT.
PA100 POLE FOUNDATION
TYPE PA100-A-50-D40-9 (DAVIT AT 350 DEG)
1- PAIR SWING AWAY HINGES
3-ONE-WAY SIGNALS OVERHEAD AT 0', 11' AND 23'
TYPE 10A POLE MOUNTED 0 DEG
TYPE 10A POLE MOUNTED 270 DEG
1-ONE WAY EVP DETECTOR AND CONFIRMATORY LIGHT (PHASES 2+5)
LUMINAIRE-250W HPS
2-TYPE D SIGNS
EXTEND INTO HH 10:
3" RSC
2-12/C #12
4-3/C #12
4-3/C #12 (LUM)
1-3/C #12 (LUM)
1-3/C #20
1-3/C #20

④ STA 649+39, 70' RT.
EQUIPMENT PAD
SERVICE CABINET
CONTROLLER AND CABINET
4" RSC TO HH 15:
6-12/C #12
12-3/C #12
3-3/C #20
6-2/C #14

CONTROLLER CABINET TO SERVICE CABINET:
2" RSC
2-1/C #2
1-1/C #4
SERVICE CABINET TO SOP VIA HH 16:
2" RSC
2-1/C #2
1-1/C #4
SERVICE CABINET TO HH 1:
2" RSC
4-3/C #12 (LUM)
HH 1 TO HH 15:
4" RSC
2-12/C #12
4-3/C #12
4-3/C #12 (LUM)
1-3/C #12 (LUM)
1-3/C #20
5-2/C #14

DISTRICT #: METRO
IPLOT NAME: layout
PATH & FILENAME: IP_PWP-d0782008Y22448_sgl.dgn

BY	DATE	REVISIONS
RLH	11-04-04	ADD EVP
REB	10-12-12	UPDATE ADA
GDS	11-04-14	AS BUILT OF SP 2722-81 (APS AND C.D. PEDS)

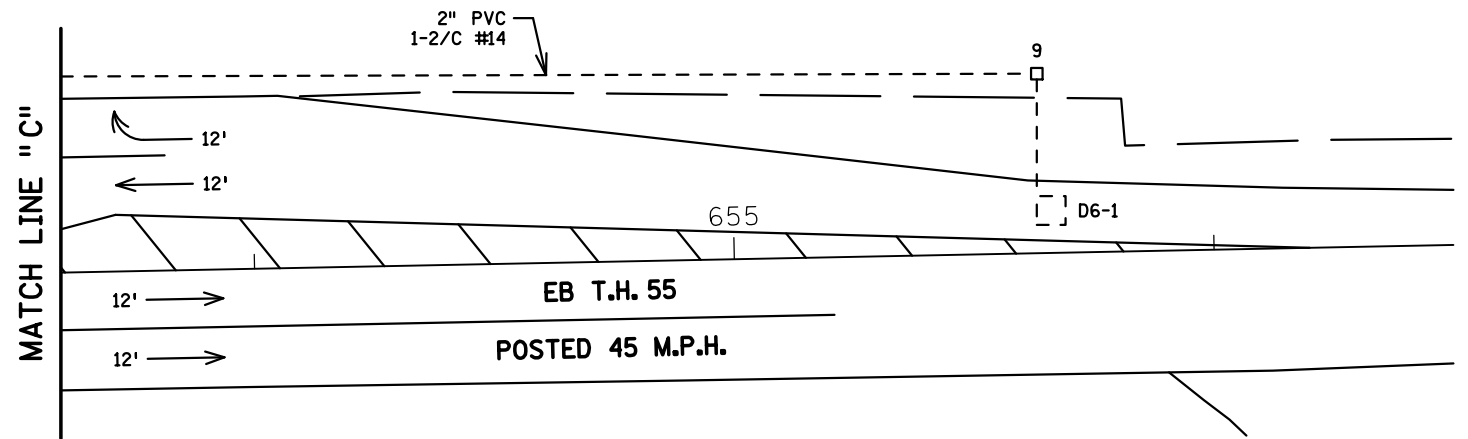
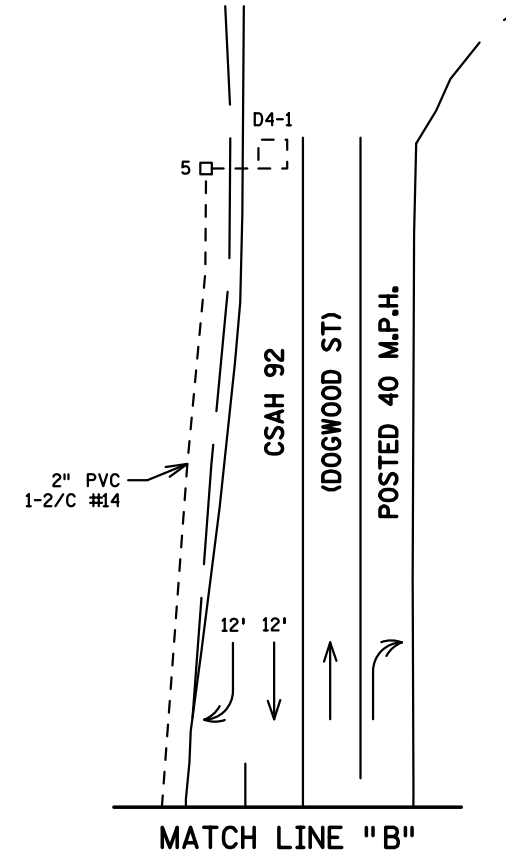
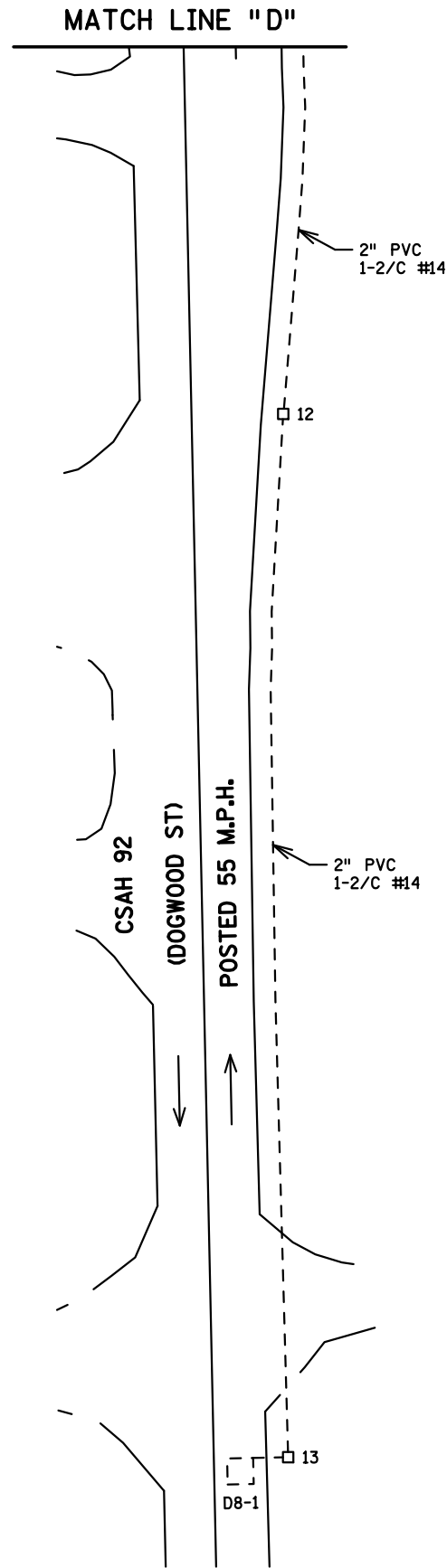
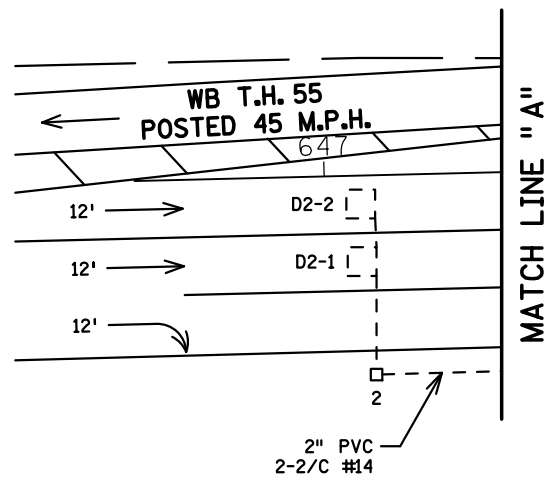
SYSTEM ID: 22448 T.E.
METER ADDRESS: T.H. 55 AT CSAH 92
MASTER ID: T.E.

**INTERSECTION LAYOUT
TRAFFIC CONTROL SIGNAL SYSTEM
T.H. 55 AT C.S.A.H. 92 (DOGWOOD ST.)
IN GREENFIELD, HENNEPIN COUNTY**

S.A.P. NO. _____ DRAWN BY: _____ CKD BY: _____ DATE: _____
CERTIFIED BY _____ LIC. NO. _____ DATE: _____
STATE PROJ. NO. (T.H.55) SHEET NO. 1 OF 3 SHEETS

PLOTTED/REVISED: 11/4/2014

DISTRICT #: METRO
 IPLOT NAME: match lines
 PATH & FILENAME: IP_PWP-d0782008T22448_sgl.dgn



BY	DATE	REVISIONS
RLH	11-04-04	ADD EVP
REB	10-12-12	UPDATE ADA
GDS	11-04-14	AS BUILT OF SP 2722-81 (APS AND C.D. PEDS)

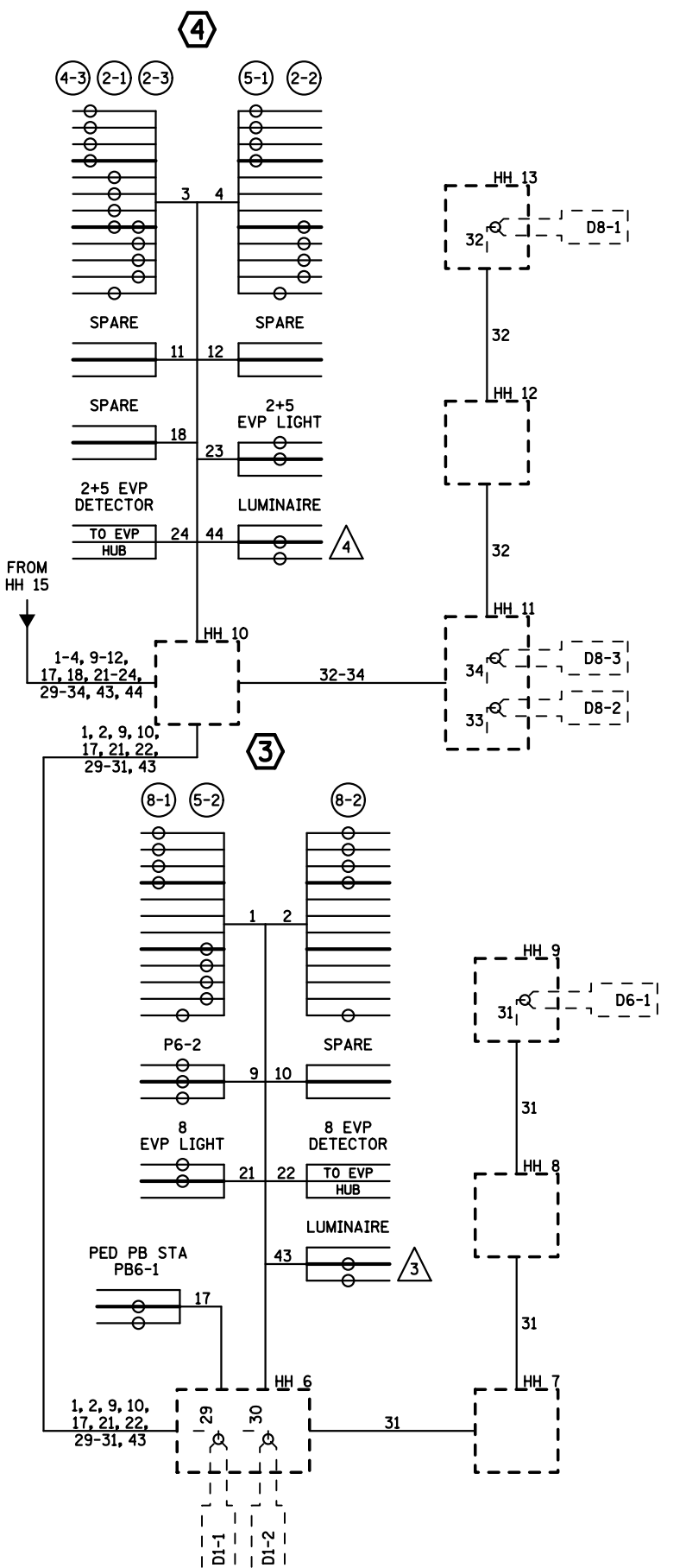
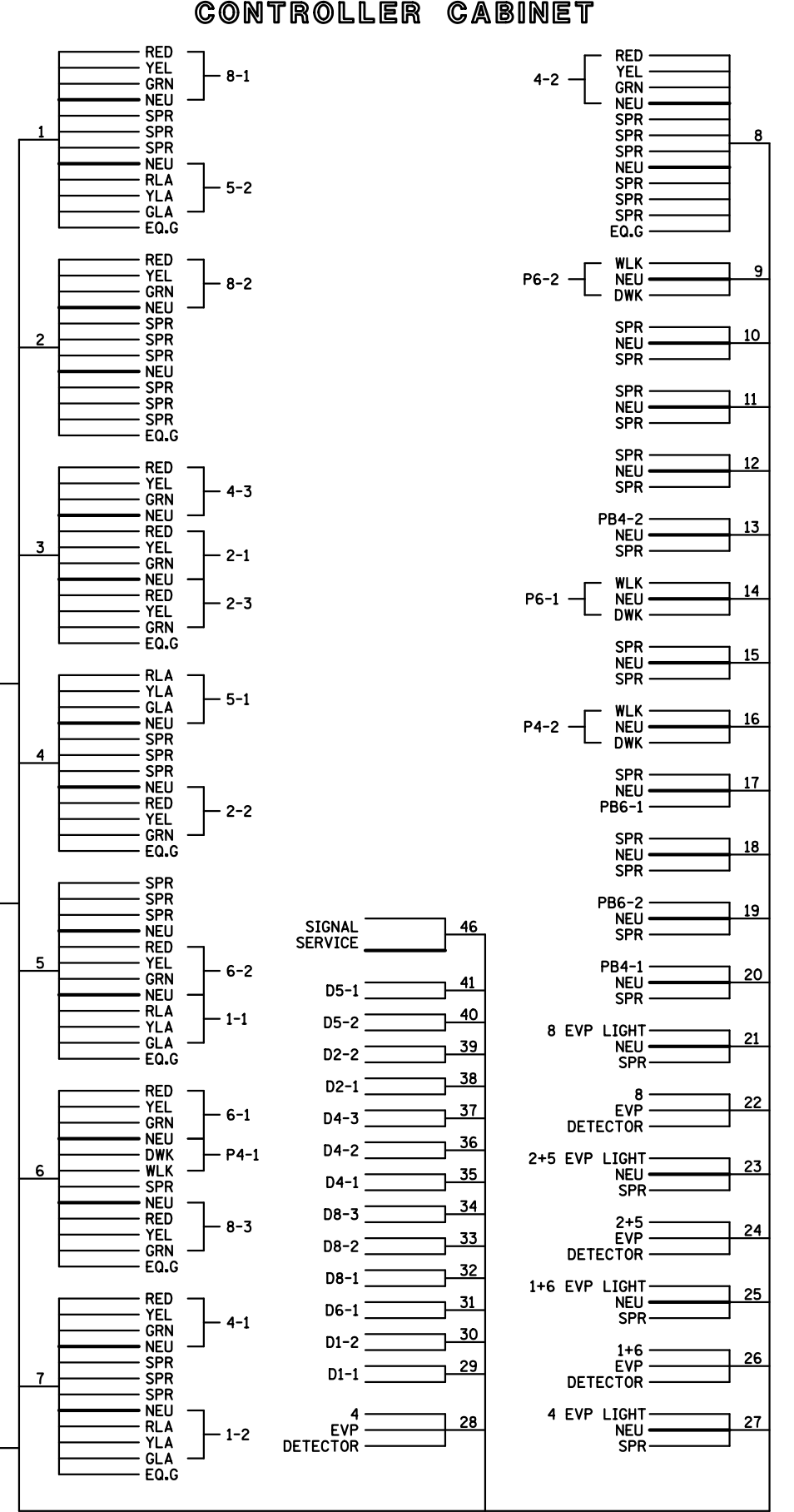
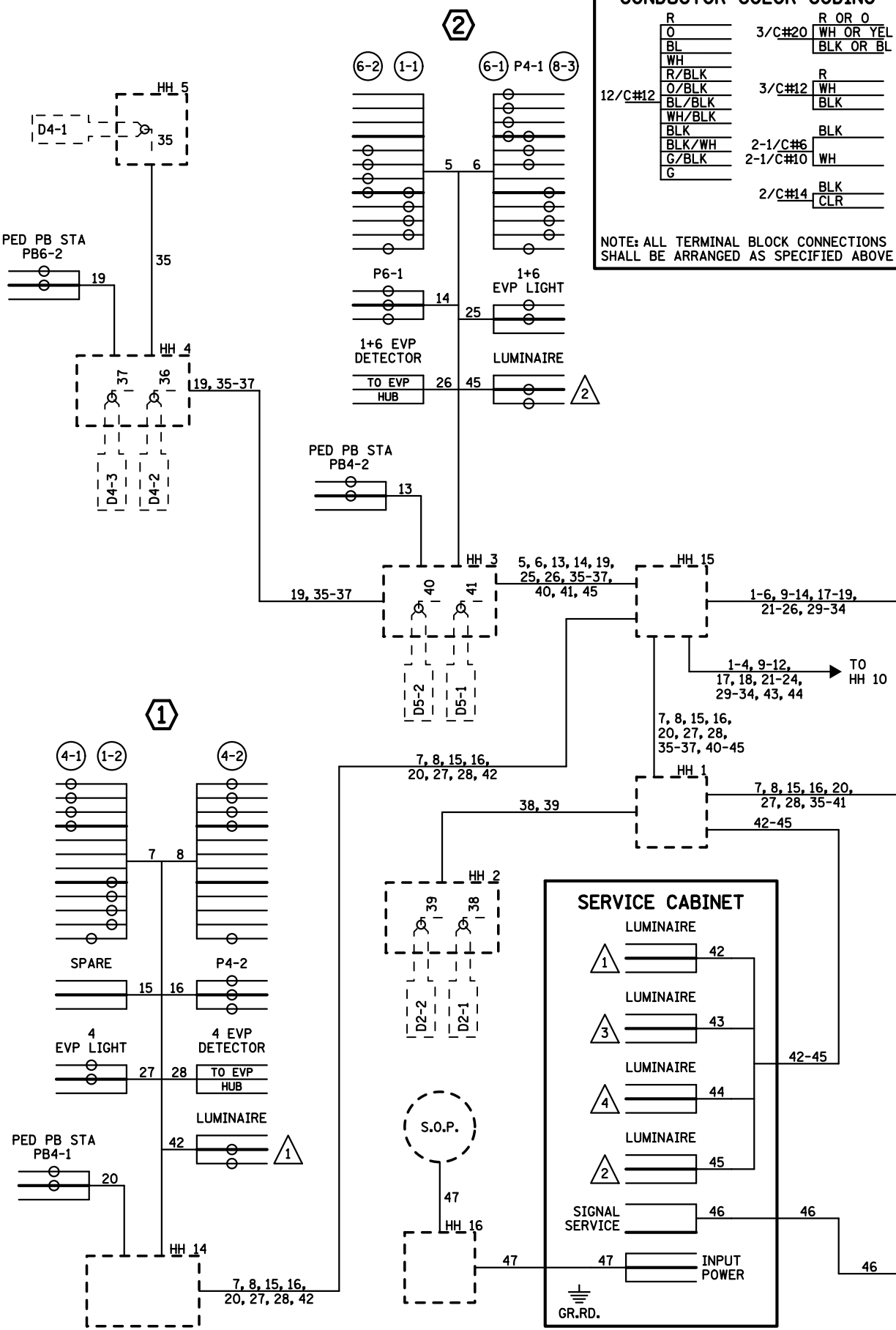
SYSTEM ID: 22448	T.E.
METER ADDRESS: T.H. 55 AT CSAH 92	
MASTER ID:	T.E.

**MATCH LINES LAYOUT
 TRAFFIC CONTROL SIGNAL SYSTEM
 T.H. 55 AT C.S.A.H. 92 (DOGWOOD ST.)
 IN GREENFIELD, HENNEPIN COUNTY**

S.A.P. NO.	DRAWN BY:	CKD BY:	DATE:
CERTIFIED BY _____	LIC. NO. _____	DATE: _____	
STATE PROJ. NO.	(T.H.55)	SHEET NO. 2 OF 3 SHEETS	

PLOTTED/REVISED: 11/4/2014

DISTRICT #: METRO
PLOT NAME: wiring
PATH & FILENAME: IP_PWP-d0782008Y22448_sq1.dgn



BY	DATE	REVISIONS
RLH	11-04-04	ADD EVP
REB	10-12-12	UPDATE ADA
GDS	11-04-14	AS BUILT OF SP 2722-81 (APS AND C.D. PEDS)

SYSTEM ID: 22448	T.E.
METER ADDRESS: T.H. 55 AT CSAH 92	
MASTER ID:	T.E.

FIELD WIRING DIAGRAM
TRAFFIC CONTROL SIGNAL SYSTEM
T.H. 55 AT C.S.A.H. 92 (DOGWOOD ST.)
IN GREENFIELD, HENNEPIN COUNTY

S.A.P. NO.	DRAWN BY:	CKD BY:	DATE:
CERTIFIED BY _____	LICENSED PROFESSIONAL ENGINEER		LIC. NO. _____ DATE: _____
STATE PROJ. NO.	(T.H.55)	SHEET NO. 3 OF 3 SHEETS	