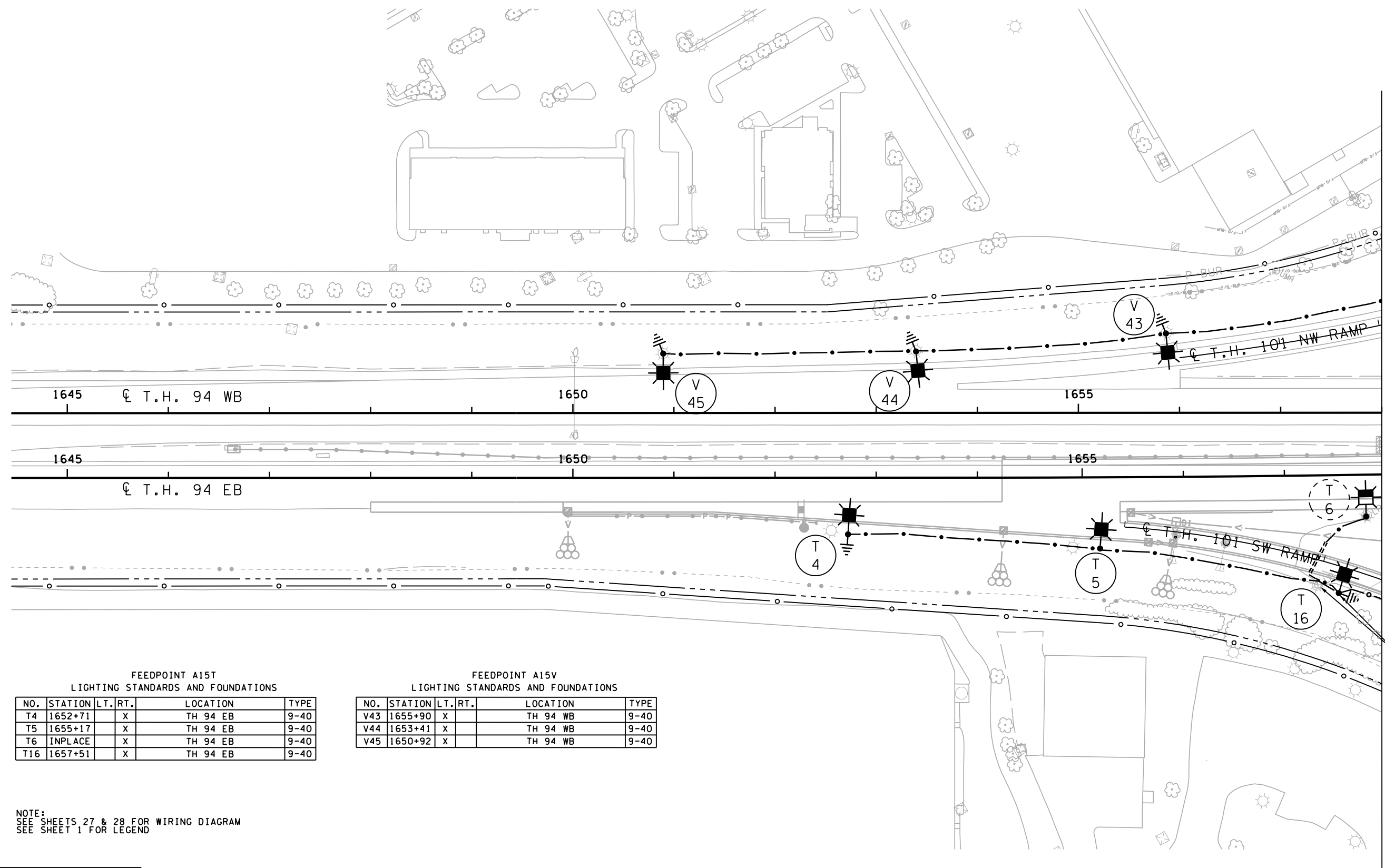
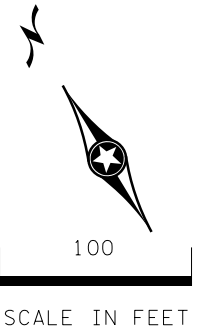


PLOTTED/REVISED: 23-NOV-2022

PATH & FILENAME: Minneapolis_MN\01_Projects\176174_194_MPLGR_DB\4) DGN_Sheets\Illumination\C02278097_101.dgn



MATCH LINE STA 1658+00

FEEDPOINT A15T
LIGHTING STANDARDS AND FOUNDATIONS

| NO. | STATION | LT. | RT. | LOCATION | TYPE |
|-----|---------|-----|-----|----------|------|
| T4 | 1652+71 | X | | TH 94 EB | 9-40 |
| T5 | 1655+17 | X | | TH 94 EB | 9-40 |
| T6 | INPLACE | X | | TH 94 EB | 9-40 |
| T16 | 1657+51 | X | | TH 94 EB | 9-40 |

FEEDPOINT A15V
LIGHTING STANDARDS AND FOUNDATIONS

| NO. | STATION | LT. | RT. | LOCATION | TYPE |
|-----|---------|-----|-----|----------|------|
| V43 | 1655+90 | X | | TH 94 WB | 9-40 |
| V44 | 1653+41 | X | | TH 94 WB | 9-40 |
| V45 | 1650+92 | X | | TH 94 WB | 9-40 |

NOTE:
SEE SHEETS 27 & 28 FOR WIRING DIAGRAM
SEE SHEET 1 FOR LEGEND

| | | | |
|--|--|--|--|
| | | | |
| | | | |

| NO | DATE | DWN | CKD | REVISIONS |
|----|------|-----|-----|-----------|
| | | | | |

C.S. McCrossan **Michael Baker**
INTERNATIONAL

I HEREBY CERTIFY THAT THIS SHEET WAS PREPARED BY ME OR UNDER MY DIRECT SUPERVISION AND THAT I AM A DULY LICENSED PROFESSIONAL ENGINEER UNDER THE LAWS OF THE STATE OF MINNESOTA.

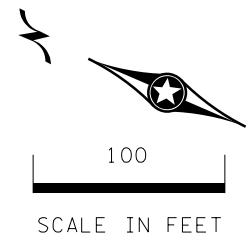
PRINT NAME: STEVEN STUART, PE
SIGNATURE: _____
DATE 12-24-2021 LICENSE #57479

LIGHTING PLAN
POB TO STA 1658+00

I-94 MAPLE GROVE TO ROGERS DB (S.P. 2780-97)
SHEET NO. SL24 OF SL61 SHEETS

PLOTTED/REVISED: 23-NOV-2022

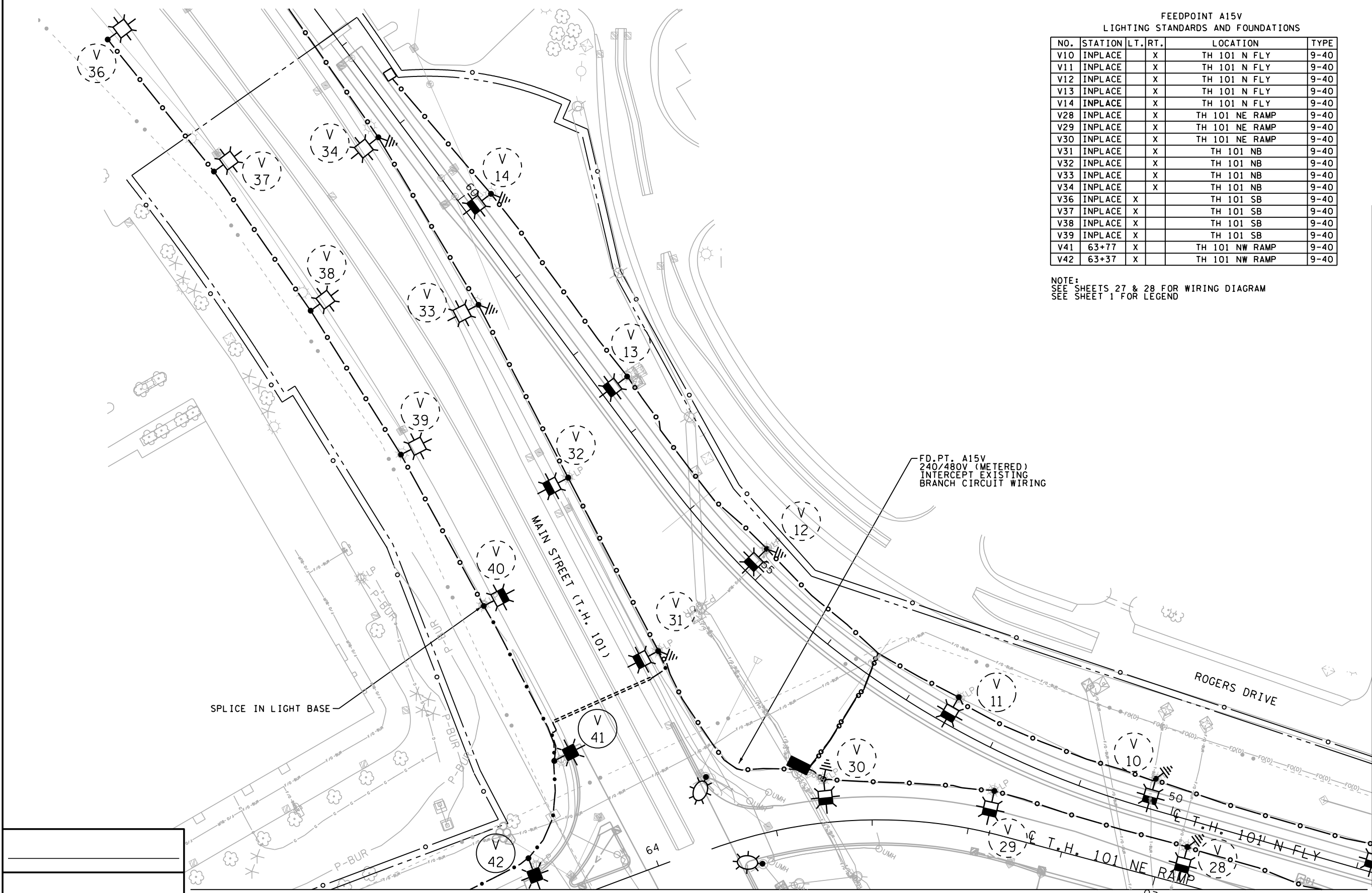
PATH & FILENAME: Minneapolis_MN\01_Projects\176174_194_MPLGR_DB\4) DGN_Sheets\Illumination\C0278097_1103.dgn



FEEDPOINT A15V
LIGHTING STANDARDS AND FOUNDATIONS

| NO. | STATION | LT. | RT. | LOCATION | TYPE |
|-----|---------|-----|-----|----------------|------|
| V10 | INPLACE | | X | TH 101 N FLY | 9-40 |
| V11 | INPLACE | | X | TH 101 N FLY | 9-40 |
| V12 | INPLACE | | X | TH 101 N FLY | 9-40 |
| V13 | INPLACE | | X | TH 101 N FLY | 9-40 |
| V14 | INPLACE | | X | TH 101 N FLY | 9-40 |
| V28 | INPLACE | | X | TH 101 NE RAMP | 9-40 |
| V29 | INPLACE | | X | TH 101 NE RAMP | 9-40 |
| V30 | INPLACE | | X | TH 101 NE RAMP | 9-40 |
| V31 | INPLACE | | X | TH 101 NB | 9-40 |
| V32 | INPLACE | | X | TH 101 NB | 9-40 |
| V33 | INPLACE | | X | TH 101 NB | 9-40 |
| V34 | INPLACE | | X | TH 101 NB | 9-40 |
| V36 | INPLACE | X | | TH 101 SB | 9-40 |
| V37 | INPLACE | X | | TH 101 SB | 9-40 |
| V38 | INPLACE | X | | TH 101 SB | 9-40 |
| V39 | INPLACE | X | | TH 101 SB | 9-40 |
| V41 | 63+77 | X | | TH 101 NW RAMP | 9-40 |
| V42 | 63+37 | X | | TH 101 NW RAMP | 9-40 |

NOTE:
SEE SHEETS 27 & 28 FOR WIRING DIAGRAM
SEE SHEET 1 FOR LEGEND



MATCH LINE SHEET 25 OF 61

MATCH LINE STA 1671+00

| NO | DATE | DWN | CKD | REVISIONS |
|----|------|-----|-----|-----------|
| | | | | |

C.S. McCrossan **Michael Baker**
INTERNATIONAL

I HEREBY CERTIFY THAT THIS SHEET WAS PREPARED BY ME OR UNDER MY DIRECT SUPERVISION AND THAT I AM A DULY LICENSED PROFESSIONAL ENGINEER UNDER THE LAWS OF THE STATE OF MINNESOTA.

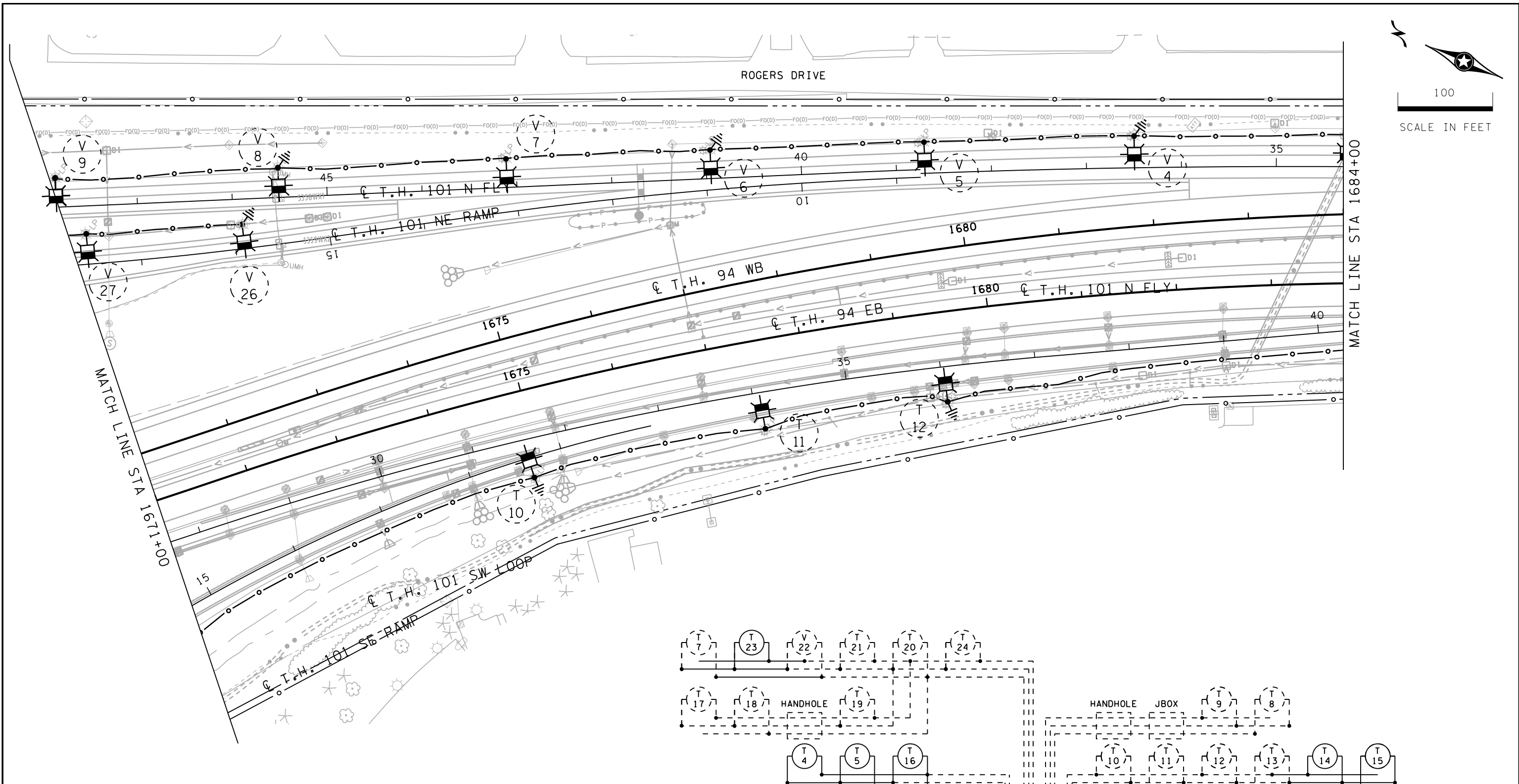
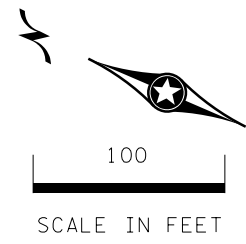
PRINT NAME: STEVEN STUART, PE
SIGNATURE: _____
DATE 12-24-2021 LICENSE #57479

LIGHTING PLAN
STA 57+84 TO STA 62+00

I-94 MAPLE GROVE TO ROGERS DB (S.P. 2780-97)
SHEET NO. SL26 OF SL61 SHEETS

PLOTTED/REVISED: 23-NOV-2022

PATH & FILENAME: Minneapolis_MN\01_Projects\176174_194_MPLGR_DB\4) DGN\Sheets\Illumination\C02278097_1104.dgn



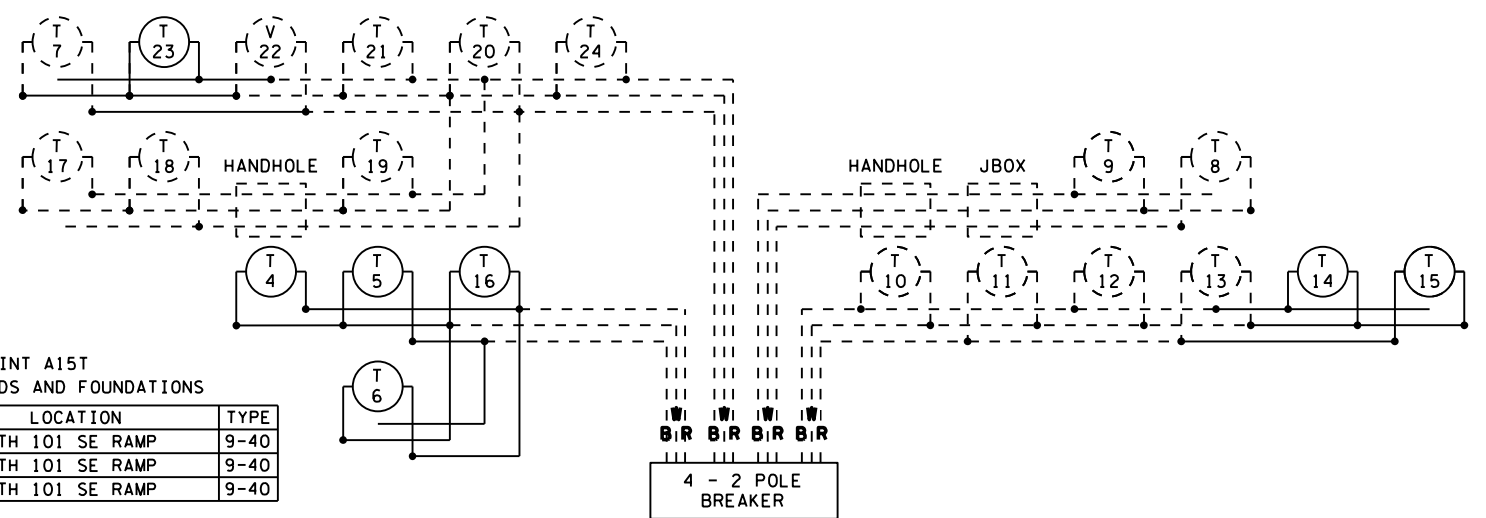
FEEDPOINT A15V & A15T
LIGHTING STANDARDS AND FOUNDATIONS

| NO. | STATION | LT. | RT. | LOCATION | TYPE |
|-----|---------|-----|-----|----------------|------|
| V4 | INPLACE | X | | TH 101 N FLY | 9-40 |
| V5 | INPLACE | X | | TH 101 N FLY | 9-40 |
| V6 | INPLACE | X | | TH 101 N FLY | 9-40 |
| V7 | INPLACE | X | | TH 101 N FLY | 9-40 |
| V8 | INPLACE | X | | TH 101 N FLY | 9-40 |
| V9 | INPLACE | X | | TH 101 N FLY | 9-40 |
| V26 | INPLACE | X | | TH 101 NE RAMP | 9-40 |
| V27 | INPLACE | X | | TH 101 NE RAMP | 9-40 |

FEEDPOINT A15T
LIGHTING STANDARDS AND FOUNDATIONS

| NO. | STATION | LT. | RT. | LOCATION | TYPE |
|-----|---------|-----|-----|----------------|------|
| T10 | INPLACE | X | | TH 101 SE RAMP | 9-40 |
| T11 | INPLACE | X | | TH 101 SE RAMP | 9-40 |
| T12 | INPLACE | X | | TH 101 SE RAMP | 9-40 |

NOTE:
SEE SHEET 28 FOR WIRING DIAGRAM
SEE SHEET 1 FOR LEGEND



CABINET TYPE L1
240/480 VOLT
FD. PT. A15T
W DENOTES NEUTRAL CONDUCTOR
B AND R DENOTE CURRENT CARRYING CONDUCTORS

| NO | DATE | DWN | CKD | REVISIONS |
|----|------|-----|-----|-----------|
| | | | | |

C.S. McCrossan **Michael Baker**
INTERNATIONAL

I HEREBY CERTIFY THAT THIS SHEET WAS PREPARED BY ME OR UNDER MY DIRECT SUPERVISION AND THAT I AM A DULY LICENSED PROFESSIONAL ENGINEER UNDER THE LAWS OF THE STATE OF MINNESOTA.

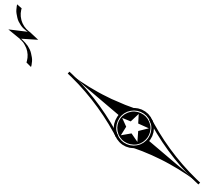
PRINT NAME: STEVEN STUART, PE
SIGNATURE: _____
DATE 12-24-2021 LICENSE #57479

LIGHTING PLAN
STA 1671+00 TO STA 1684+00

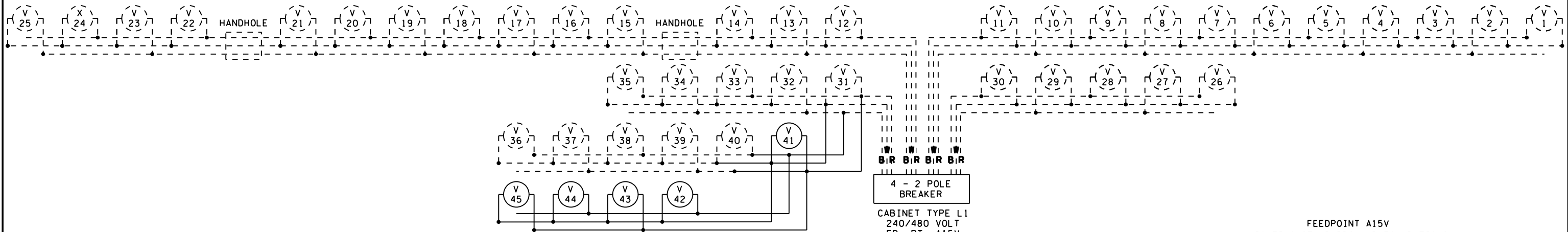
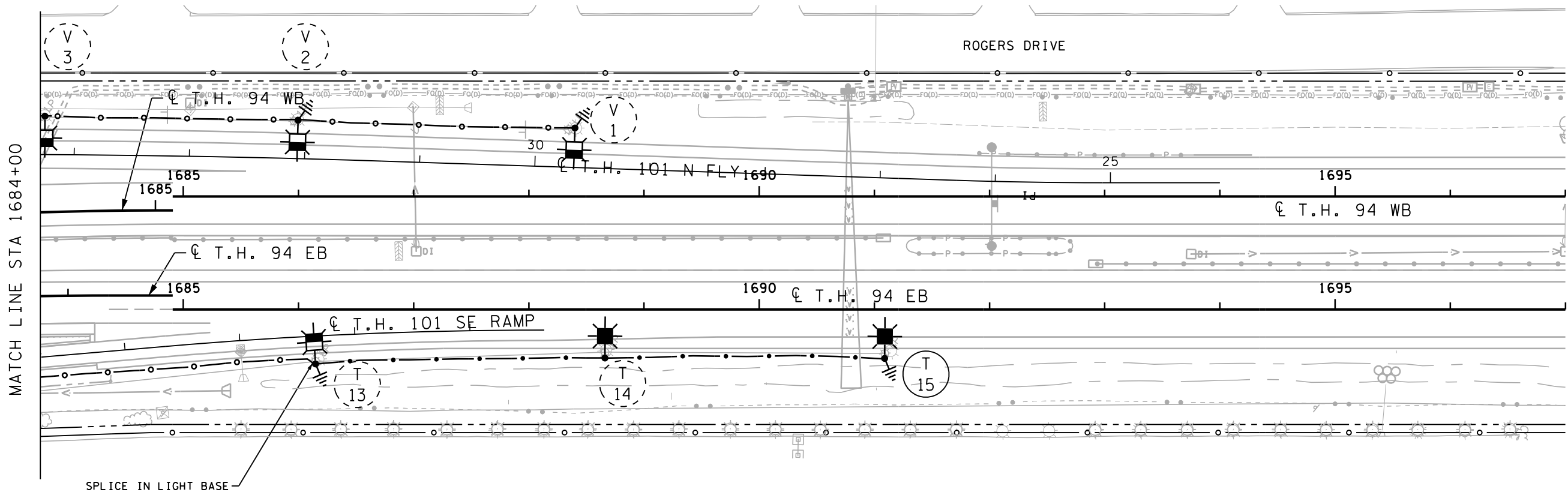
I-94 MAPLE GROVE TO ROGERS DB (S.P. 2780-97)
SHEET NO. SL27 OF SL61 SHEETS

PLOTTED/REVISED: 23-NOV-2022

PATH & FILENAME: Minneapolis_MN\01_Projects\176174_194_MPLGR_DB\4) DGN_Sheets\Illumination\02278097_1105.dgn



100
SCALE IN FEET



W DENOTES NEUTRAL CONDUCTOR
B AND R DENOTE CURRENT CARRYING CONDUCTORS

FEEDPOINT A15V
LIGHTING STANDARDS AND FOUNDATIONS

| NO. | STATION | LT. | RT. | LOCATION | TYPE |
|-----|---------|-----|-----|----------|------|
| V1 | INPLACE | X | | TH 94 WB | 9-40 |
| V2 | INPLACE | X | | TH 94 WB | 9-40 |
| V3 | INPLACE | X | | TH 94 WB | 9-40 |

FEEDPOINT A15T
LIGHTING STANDARDS AND FOUNDATIONS

| NO. | STATION | LT. | RT. | LOCATION | TYPE |
|-----|---------|-----|-----|----------|------|
| T13 | INPLACE | | X | TH 94 EB | 9-40 |
| T14 | 1688+66 | | X | TH 94 EB | 9-40 |
| T15 | 1691+09 | | X | TH 94 EB | 9-40 |

NOTE:
SEE SHEET 1 FOR LEGEND

| | | | |
|--|--|--|--|
| | | | |
| | | | |

| NO | DATE | DWN | CKD | REVISIONS |
|----|------|-----|-----|-----------|
| | | | | |

C.S. McCrossan **Michael Baker**
INTERNATIONAL

I HEREBY CERTIFY THAT THIS SHEET WAS PREPARED BY ME OR UNDER MY DIRECT SUPERVISION AND THAT I AM A DULY LICENSED PROFESSIONAL ENGINEER UNDER THE LAWS OF THE STATE OF MINNESOTA.

PRINT NAME: STEVEN STUART, PE
SIGNATURE: _____
DATE 12-24-2021 LICENSE #57479

LIGHTING PLANS
STA 1684+00 TO STA 1697+00

I-94 MAPLE GROVE TO ROGERS DB (S.P. 2780-97)
SHEET NO. SL28 OF SL61 SHEETS