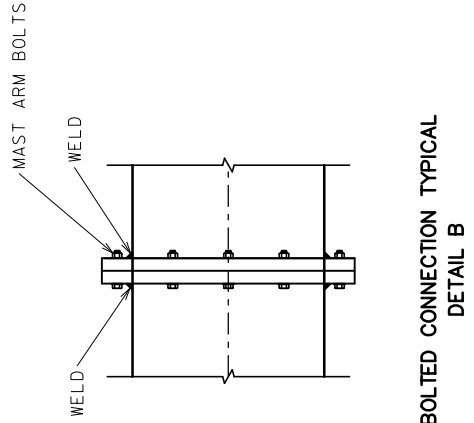
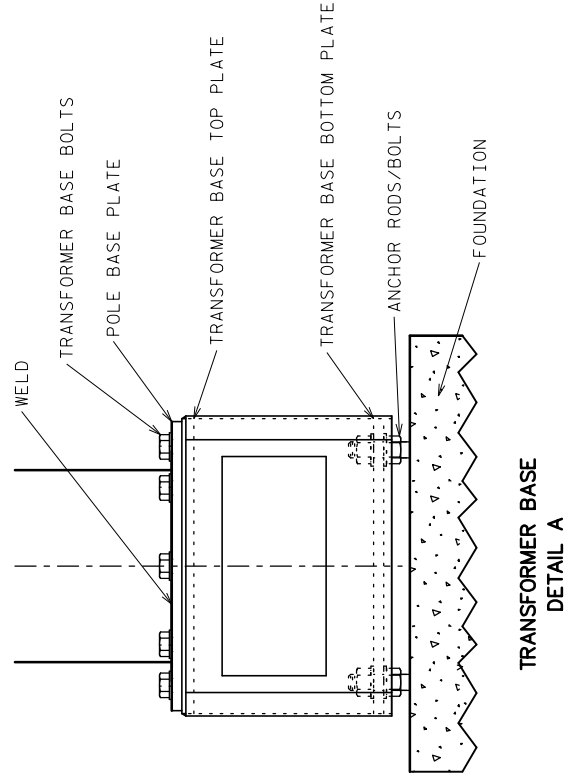
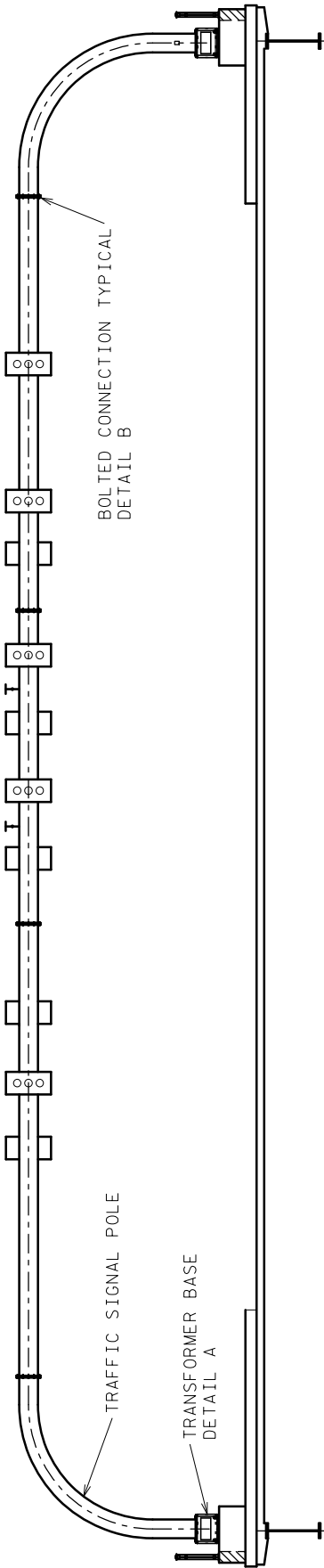
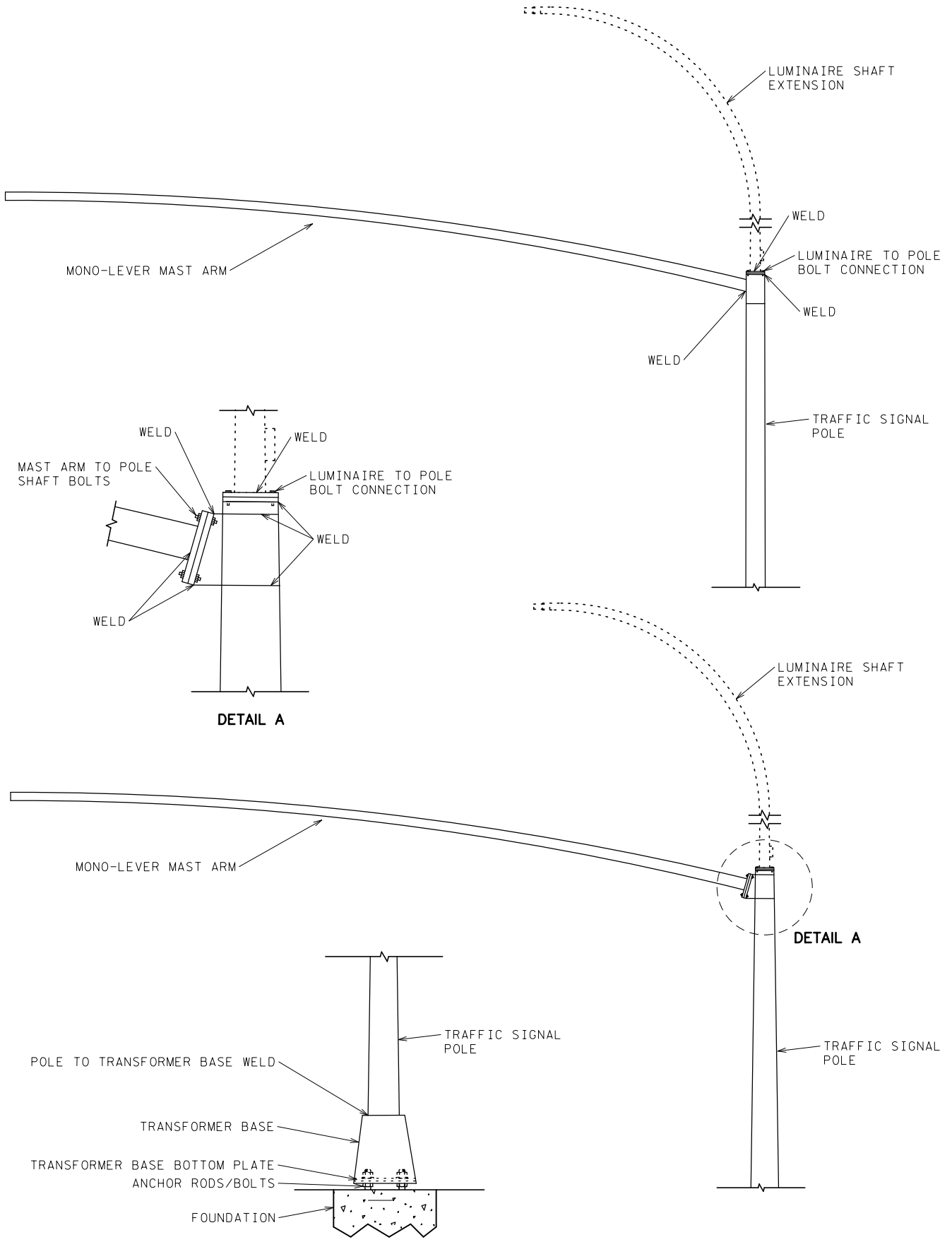


TRUSS MAST ARM AND OCTAGONAL TRAFFIC SIGNAL POLE	EXHIBIT B-1
---	----------------



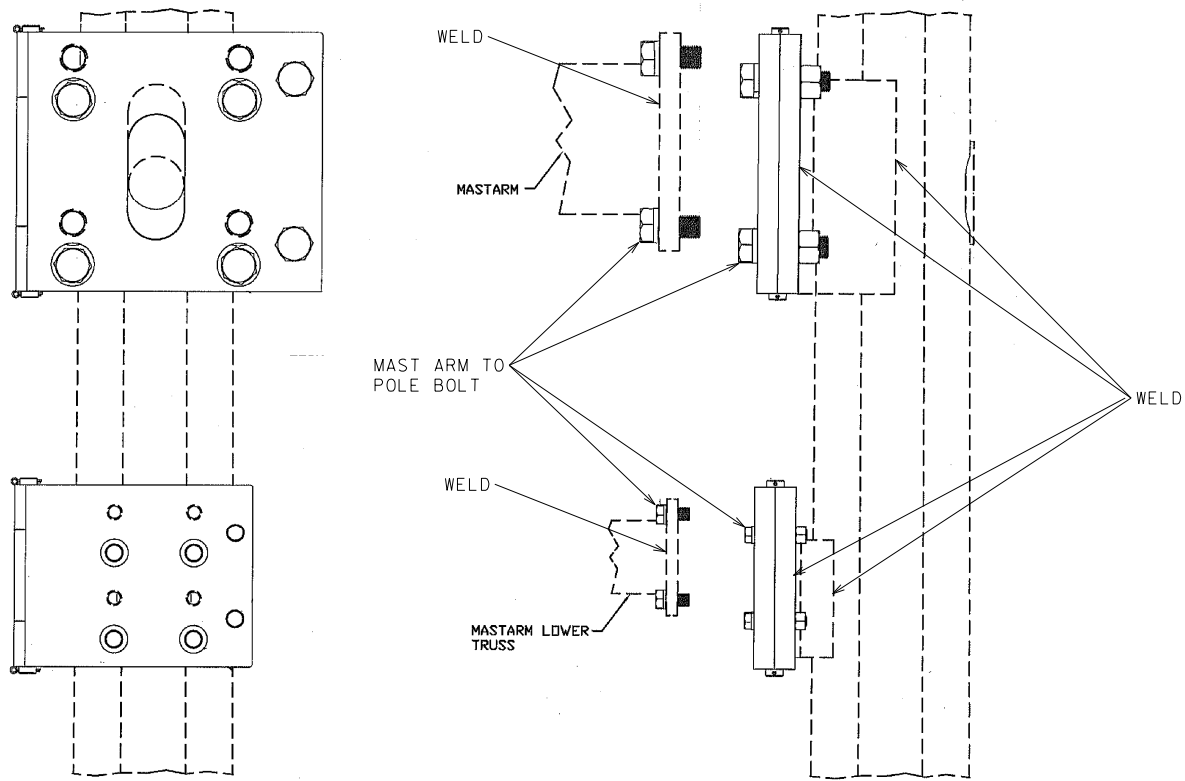
TUBULAR SIGNAL BRIDGE
TRAFFIC SIGNAL POLE

EXHIBIT
B-2



MONO-LEVER MAST ARM AND OCTAGONAL TRAFFIC SIGNAL POLE

EXHIBIT B-3



SWING AWAY HINGE DETAIL

